

CHAPTER 97

AVIONICS

<i>Figure</i>	<i>Title</i>	<i>Page</i>
97-1	Garmin G500 EFIS – GTN 6XX/7XX-series GPS	97.0
97-5	Garmin G500 EFIS – GSU 75H ADAHRS	97.4
97-9	Garmin G500 EFIS – GMU 44 Magnetometer	97.8
97-11	Avionics Console	97.10
97-13	Pilot’s Side Avionics Console	97.12
97-17	Pilot’s Side Avionics Console	97.16
97-21	Headset Jacks	97.20
97-23	Intercom Control Installation	97.22
97-25	ICS Cyclic Grip Switches Installation	97.24
97-27	ICS Floor Switch Installation	97.26
97-29	Transponder and Blind Encoder	97.28
97-33	Blind Encoder Installation	97.32
97-35	Avionics Blower Installation	97.34
97-37	Avionics Blower Installation	97.36
97-39	Avionics Blower Installation	97.38
97-41	C802-2 COM Radio Installation	97.40
97-43	C803-1 ADS-B Installation	97.42
97-45	Garmin GTX 325, 335 and 345 Transponder & Blind Encoder	97.44
97-47	C804-15 Transponder Installation	97.46
97-49	C807-1 King KTR 909 UHF Transceiver Installation	97.48
97-53	C831 GPS Installation – Garmin GTN 600 Series	97.52
97-57	C831 GPS Installation – Garmin GTN 600 Series (Dual)	97.56
97-61	C831 GPS Installation – Garmin GTN 700 Series	97.60

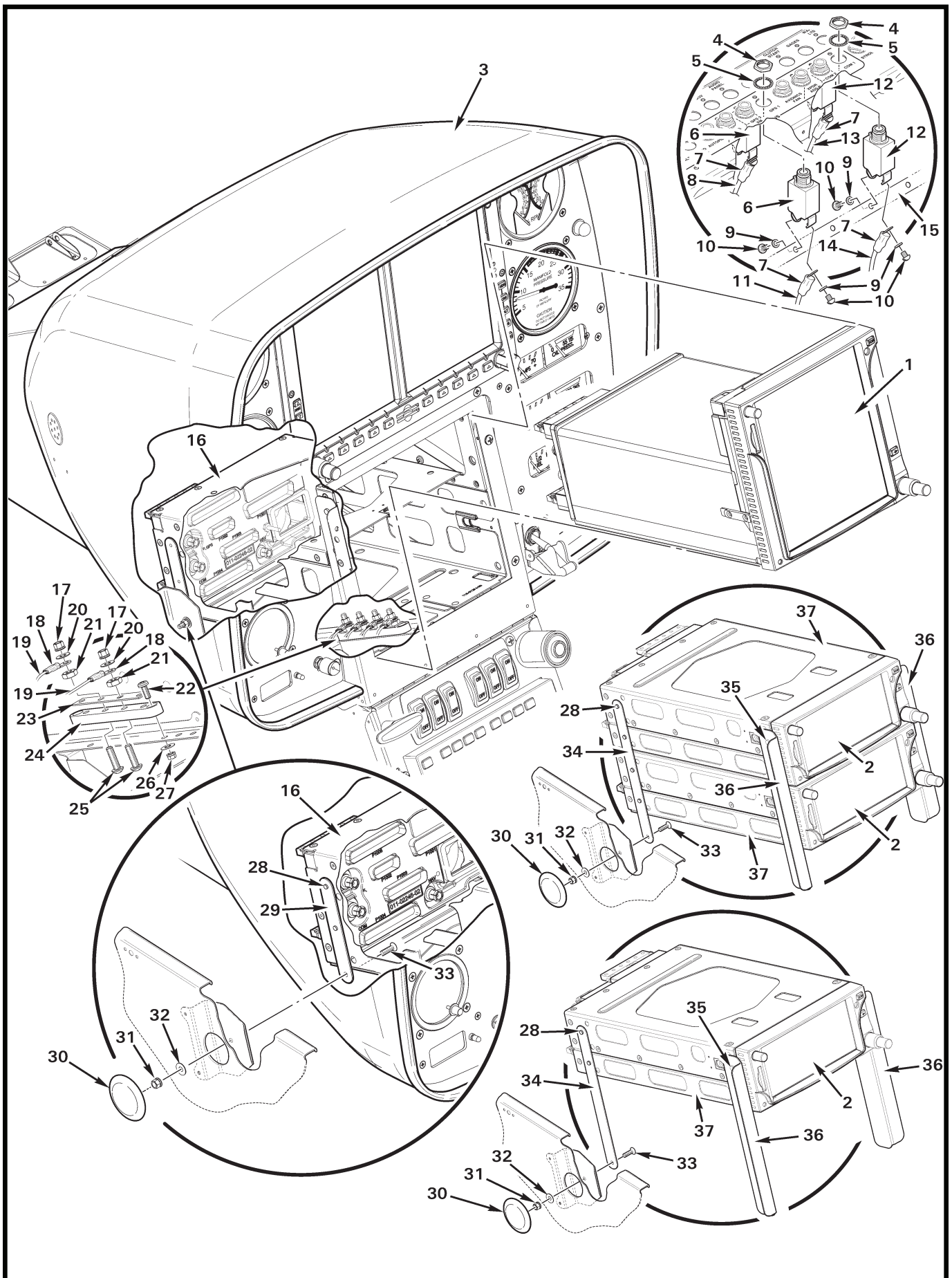


FIGURE AND INDEX NUMBER	PART NUMBER	DESCRIPTION	PARTS AVAIL	QTY PER ASSY
		GARMIN G500H EFIS – GTN 6XX/7XX-SERIES GPS		
97-1-1	GTN 750*	Transceiver	X	1
	GTN 725*	Transceiver	X	1
2	GTN 650*	Transceiver	X	1
	GTN 635*	Transceiver	X	1
	GTN 625*	Transceiver	X	1
3	G060	Console Assembly (Ref)		
4	—	Nut	O	1
5	—	Lockwasher	O	1
6	B297-5	Circuit Breaker (5 amp, “GPS/XM” and “GPS 2”; includes items 4, 5, 9, and 10)	X	A/R
7	B260-2	Terminal	X	A/R
8	-1426	Wire (Ref)		
9	—	Washer	O	1
10	—	Screw	O	1
11	-466	Wire (Ref)		
12	B297-5	Circuit Breaker (5 amp, “COM 1” and “COM 2”; includes items 4, 5, 9, and 10)	X	A/R
13	-704	Wire (Ref)		
14	-200	Wire (Ref)		
15	A448	Bus Bar (Ref)		
16	115-01294-00*	Mounting Rack (Ref)		
17	MS21042L08	Nut	X	A/R
18	B260-3	Terminal	X	A/R
19	-465	Wire (Ref)		
	-1427	Wire (Ref)		
	-2506	Wire (Ref)		
	-2537	Wire (Ref)		
	-201	Wire (Ref)		
	-704	Wire (Ref)		
	-2531	Wire (Ref)		
20	NAS1149FN816P	Washer	X	A/R
21	B301-8	Nut	X	4
22	MS35206-228	Screw	X	2
23	A448-10	Bus Bar	X	1
24	C448-2	Terminal Block Assembly (Incl items 21, 23, and 25)	X	1
	C448-5	Block (Ref)		

NOTES * Garmin part number.

Continues

FIGURE AND INDEX NUMBER	PART NUMBER	DESCRIPTION	PARTS AVAIL	QTY PER ASSY
GARMIN G500H EFIS – GTN 6XX/7XX-SERIES GPS (Cont'd)				
97-1-25	B567-43	Screw (install using B270-9 adhesive under head)	X	4
26	NAS1149FN616P	Washer	X	2
27	MS21042L06	Nut	X	2
28	NAS1097AD3	Rivet	X	A/R
29	A684-4	Strap	X	2
30	SI413	Hole Plug	X	2
31	MS21042L06	Nut	X	2
32	NAS1149FN616P	Washer	X	2
33	—	Screw (6-32 CSK supplied with radio)	O	2
34	A684-3	Strap	X	2
35	MS20426AD4	Rivet	X	6
36	C905-6	Angle	X	2
37	115-01293-00*	Mounting Rack (Ref)		

NOTES * Garmin part number.

Intentionally Blank

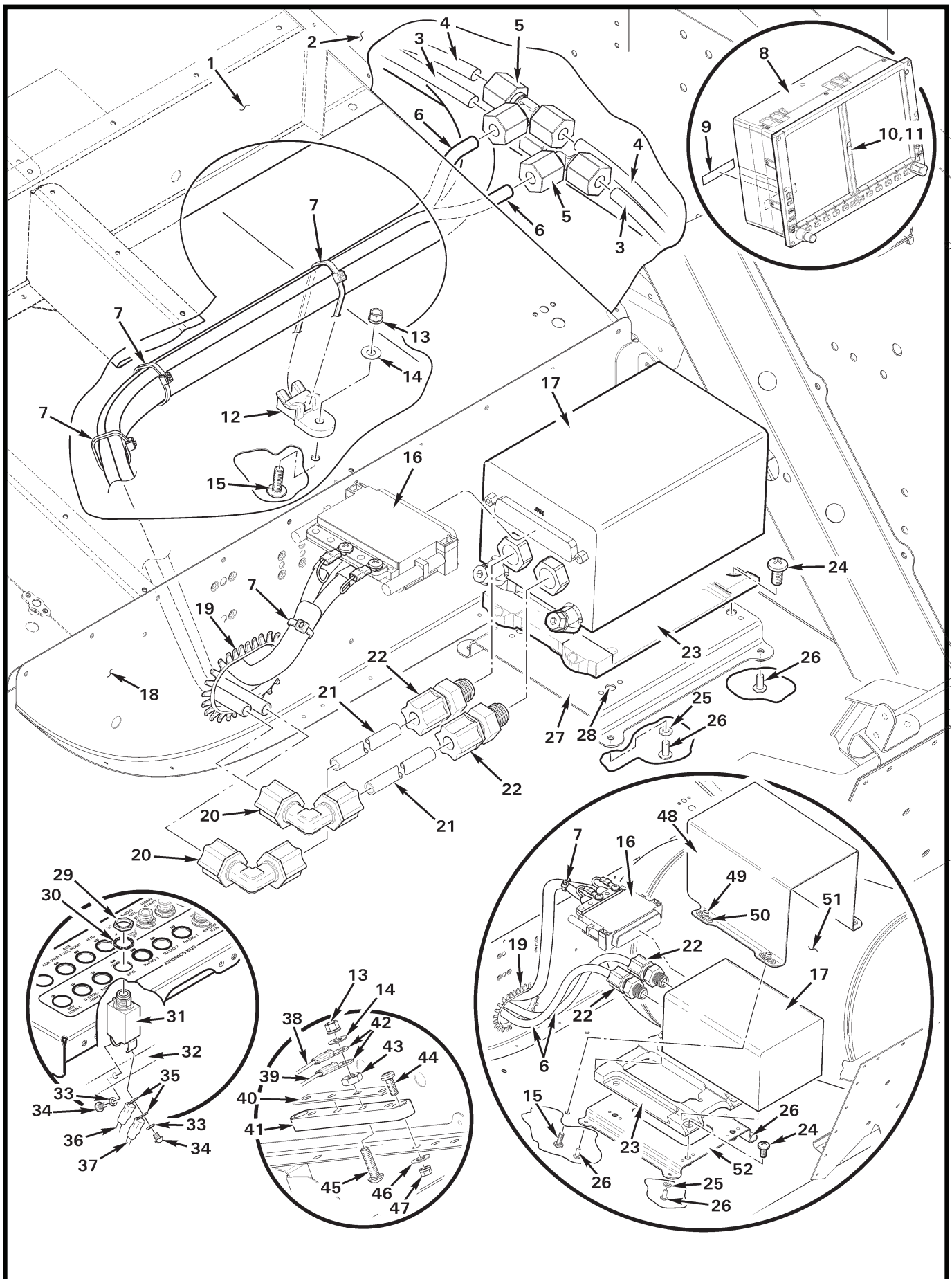


FIGURE AND INDEX NUMBER	PART NUMBER	DESCRIPTION	PARTS AVAIL	QTY PER ASSY
GARMIN G500H EFIS – GSU 75H ADAHRS				
97-5-1	C232-3	Floor Panel (LH, Ref)		
2	C293-3	Keel Panel (LH, Ref)		
3	A729-6	Tube (pitot, Ref)		
4	A729-11	Tube (static, Ref)		
5	70-4-N-0	Tee	X	2
6	A729-22	Tube	X	2
7	MS3367-4-9	Ty-Rap	X	A/R
8	GDU 620*	Display (Ref)		
9	C654-60	Decal – “ROBINSON P/N F817-2...”	X	1
10	D327-2	Retainer (Incl item 11)	X	1
11	A701-7	Tape (black foam, adhesive both sides)	X	A/R
12	D268-1	Support	X	1
13	MS21042L08	Nut	X	2
14	NAS1149FN816P	Washer	X	2
15	B526-8	Screw	X	5
16	O11-3109-00*	Connector Kit (Ref)		
17	GSU 75H*	ADAHRS Unit (Garmin part no. 011-03094-00; Ref)		
18	D230-2	Bulkhead (Ref)		
19	A225-2	Grommet	X	A/R
20	50-4-N-0	Elbow	X	2
21	A729-26	Tube	X	2
22	10-4-2-N-0	Fitting	X	2
23	117-00608-00*	Rack (Ref)		
24	MS27039C1-06	Screw	X	4
25	NAS620-5	Washer	X	A/R
26	MS20470AD4	Rivet	X	4
27	F950-9	Support Assembly (Incl item 28)	X	1
28	MS21069L3	Nutplate (install using item 50)	X	4
29	—	Nut	O	1
30	—	Washer	O	1
31	B297-5	Circuit Breaker (5 amp; includes items 29, 30, 33, and 34) . .	O	1
32	A448	Bus Bar (Ref)		
33	—	Washer	O	1
34	—	Screw	O	1
35	B260-2	Terminal	X	2
36	-2695	Wire (power, GSU 75 ADAHRS, Ref)		

NOTES * Garmin part no.

Continues

FIGURE AND INDEX NUMBER	PART NUMBER	DESCRIPTION	PARTS AVAIL	QTY PER ASSY
GARMIN G500H EFIS – GSU 75H ADAHRS (Cont'd)				
97-5-37	-2563	Wire (power, GDU 620 Display, Ref)		
38	-2589	Wire (ground, GSU ADAHRS, Ref)		
39	-2564	Wire (ground, GDU 620 Display, Ref)		
40	A448-10	Bus Bar (4-holes)	X	1
41	C448-5	Block (4-holes)	X	1
42	B260-3	Terminal	X	2
43	B301-8	Nut	X	2
44	MS35206-228	Screw	X	2
45	B567-43	Screw	X	1
46	NAS1149FN616P	Washer	X	2
47	MS21042L06	Nut	X	2
48	F950-13*	Cover Assembly (Incl items 49 and 50)	X	1
49	MS21069L08	Nutplate	X	4
50	NAS1097AD3	Rivet	X	16
51	D679	Cylinder Assembly (Ref, pop-out floats installation)		
52	F950-11*	Support Assembly (Incl items 28 and 50)	X	1

NOTES * Garmin part no.

Intentionally Blank

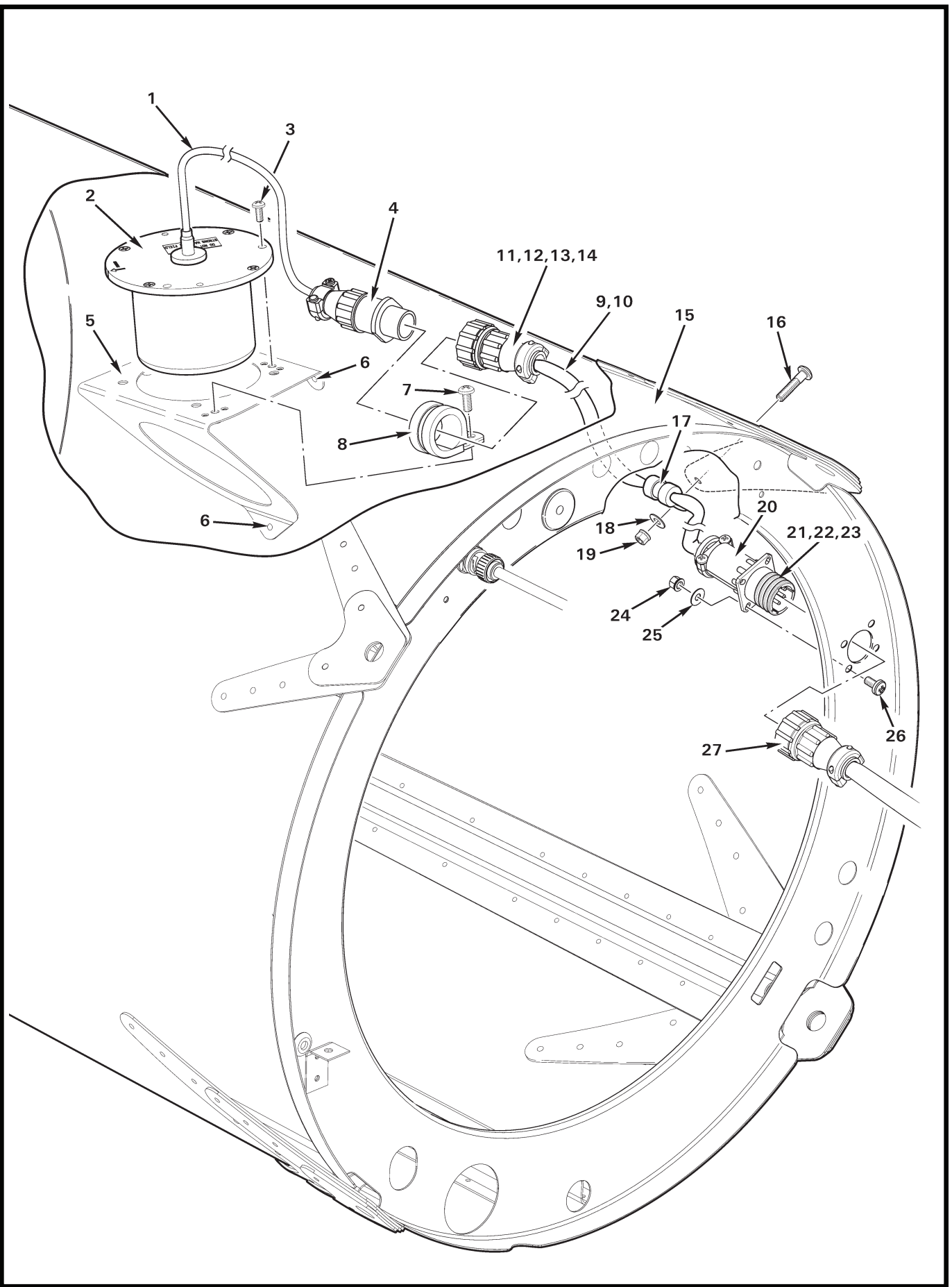


FIGURE AND INDEX NUMBER	PART NUMBER	DESCRIPTION	PARTS AVAIL	QTY PER ASSY
		GARMIN G500H EFIS – GMU 44 MAGNETOMETER		
97-9-1	—	Cable (Ref)	O	1
2	GMU 44*	Magnetometer (Incl items 1 and 4)	X	1
3	MS27039C0807	Screw	X	3
4	—	Connector (Ref)		
5	F950-4	Bracket Assembly (includes nutplates)	X	1
6	MS20470AD4	Rivet	X	3
7	MS27039C0806	Screw	X	1
8	MS21919WDG12	Clamp	X	1
9	F951-1	Harness Assembly (With item 2 installed in the first bay. Includes items 10 thru 14, 20 thru 23, and wires, assembled)	X	1
10	F951-2	Harness Assembly (With item 2 installed in the second bay. Includes items 10 thru 14, 20 thru 23, and wires, assembled)	X	1
11	206485-1	Plug	X	1
	206358-5	Backshell	X	1
12	205090-1	Socket (not shown)	X	7
13	B267-3	Terminator (not shown)	X	2
14	B158-6	Heat Shrink (not shown).	X	A/R
15	C023	Tailcone Assembly (Ref)		
16	MS27039C0808	Screw	X	1
17	MS21919WDG3	Clamp	X	1
18	NAS1149FN816P	Washer	X	1
19	MS21042L08	Nut	X	1
20	206486-1	Receptacle	X	1
	206358-5	Backshell	X	1
21	205089-1	Pin (not shown)	X	7
22	B267-3	Terminator (not shown)	X	2
23	B158-6	Heat Shrink (not shown)	X	A/R
24	MS21042L04	Nut	X	4
25	NAS1149FN416P	Washer	X	4
26	MS23506-215	Screw	X	4
27	206485-1	Plug (Ref, backshell/socket)		

NOTES * Garmin part no.

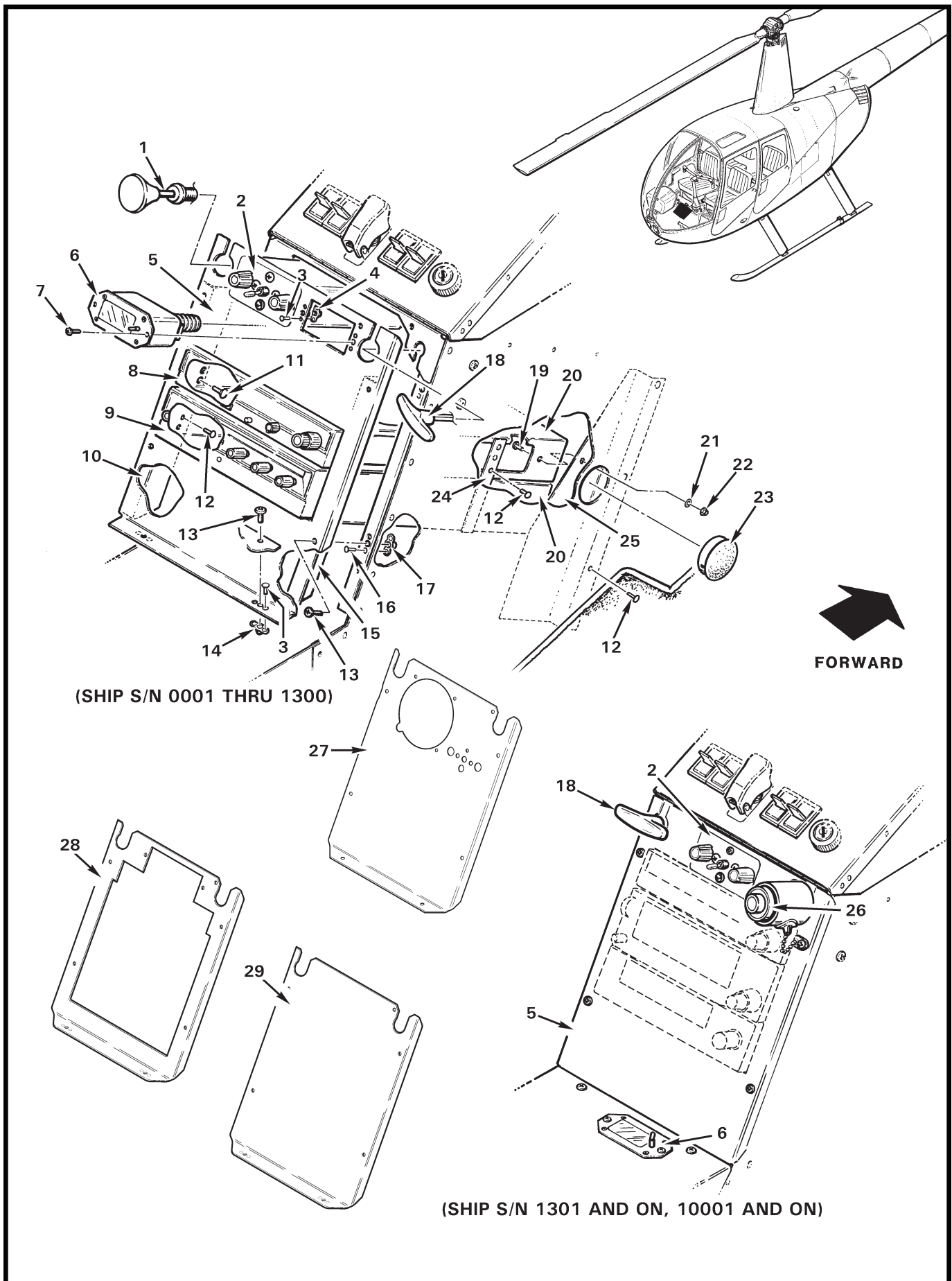


FIGURE AND INDEX NUMBER	PART NUMBER	DESCRIPTION	PARTS AVAIL	QTY PER ASSY
		AVIONICS CONSOLE		
97-11-1	A522-8	Control – Cabin Heat (Ref, see Figure 21-1)		
2	B338-1	Intercom System Unit (Ref, see Figure 97-23)		
3	MS20426AD3	Rivet	X	4
4	NAS697A04	Nutplate	X	2
5	C641	Face – Avionics (C641-4 face shown. Please specify dash no. when ordering. Includes items 3, 4, and 14.)	X	1
6	B341-1	Outside Air Temperature Gage (Includes item 7. See also Figure 96-49.)	X	1
7	—	Screw	O	2
8	KY 197A	VHF Comm Transceiver (Bendix/King, TSO'd. Includes items 19 and 20.)	O	1
9	KT 76A	Transponder (Optional, Bendix/King, TSO'd. Includes item 20.)	O	1
10	C905-3	Angle (supersedes C905-1 [LH] angle)	X	1
11	MS20426AD5	Rivet	X	1
12	MS20426AD3	Rivet	X	A/R
13	MS27039C0806	Screw	X	7
14	MS21069L08	Nutplate	X	2
15	C905-3	Angle (supersedes C905-2 [RH] angle)	X	1
16	NAS1097AD3	Rivet	X	10
17	MS21075L08E	Nutplate	X	5
18	C522-5	Control – Cabin Air Vent (Ref, see Figure 21-1)		
19	—	Screw	O	2
20	—	Tray (Ref, supplied with radio)		
21	NAS1149FN616P	Washer	X	2
22	MS21042L06	Nut	X	2
23	SI413**	Hole Plug (1.0-in. diameter)	X	2
24	A684-1	Strap	X	2
25	A371-3	Stiffener (supersedes A371-1 [LH] and A371-2 [RH] stiffeners)	X	2
26	A522-13*	Control – Fuel Mixture (Ref; shown with guard installed. See also Figure 76-17.)		
27	C641-2	Face – Avionics (blank with indicator hole)	X	1
	C641-1	Face – Avionics (blank <u>without</u> indicator hole; not shown) . .	X	1
28	D225	Face – Avionics (For use when audio control unit is installed. D225-18 Face shown. Please specify dash no. when ordering)	X	1
29	D225-101	Face – Avionics (blank)	X	1

NOTES * Ship S/N 10001 thru 29999.

** Earlier R44s with 1.25-in hole use DP-1250.

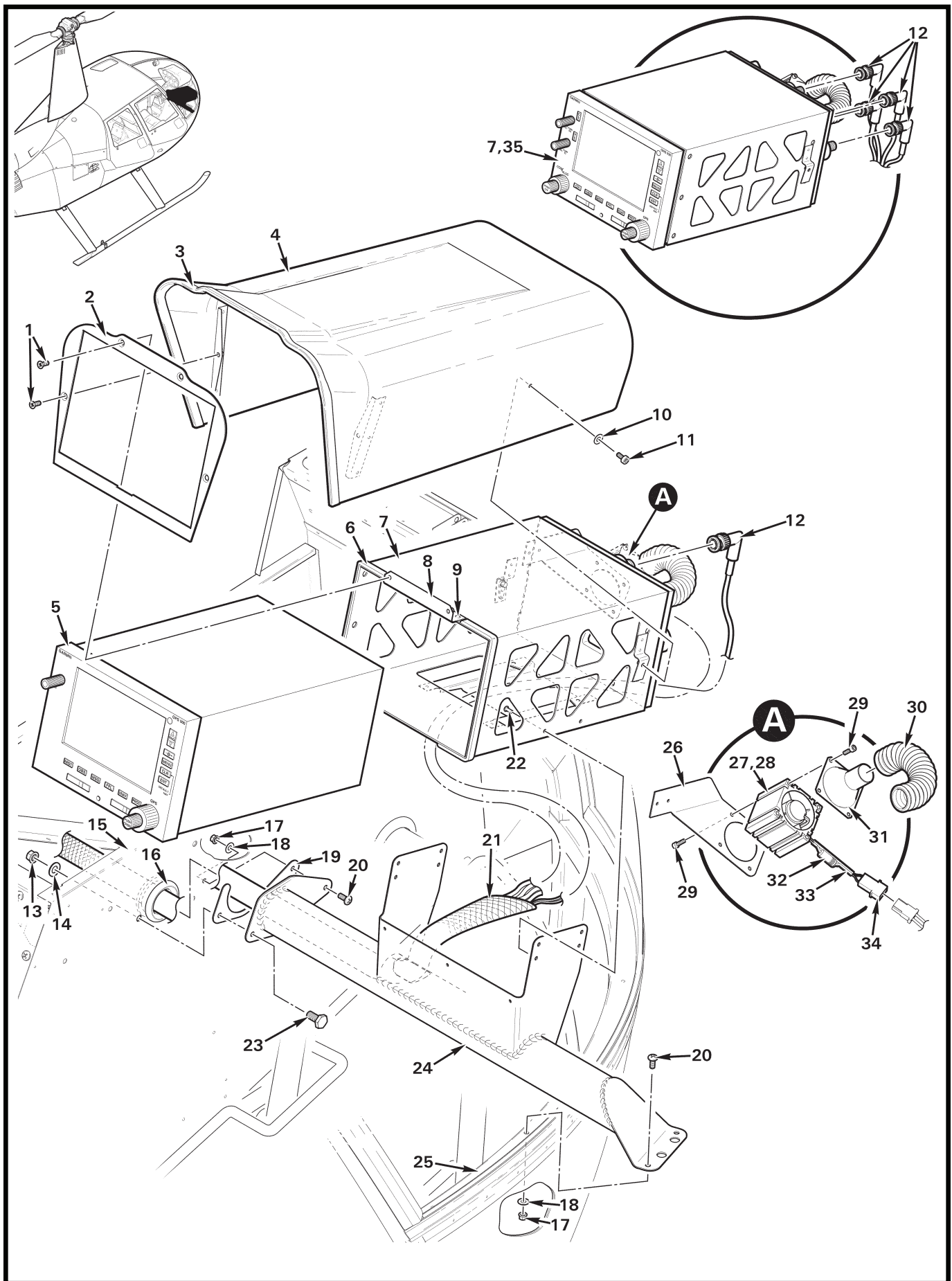


FIGURE AND INDEX NUMBER	PART NUMBER	DESCRIPTION	PARTS AVAIL	QTY PER ASSY
PILOT'S SIDE AVIONICS CONSOLE				
97-13-1	MS24693-S26	Screw	X	4
2	D704-1	Faceplate	X	1
3	A226-11	Trim	X	A/R
4	D184-1	Shell Assembly (Incl item 3)	X	1
5	GPS 500W	GPS Receiver (Garmin)	X	1
6	A226-7	Seal	X	A/R
7	—	Radio Rack Assembly (supplied with receiver or transceiver) . .	O	1
8	D704-9	Angle Assembly	X	1
9	MS20426AD3	Rivet (Ref)		
10	NAS1149FN616P	Washer	X	2
11	92196A145	Screw	X	2
12	5225973-4	Plug (90° BNC, one plug for GPS wiring, additional plugs for Com and Nav wiring; lead free)	X	A/R
13	MS21042L4	Nut	X	1
14	NAS1149F0432P	Washer	X	1
15	C359-2	Panel – Console (Ref)		
16	NAS557-14B	Grommet	X	1
17	MS21042L08	Nut	X	3
18	NAS1149FN816P	Washer	X	3
19	D703-11	Shim	X	A/R
	D706-8	Shim (earlier aircraft)	X	A/R
20	MS27039C0806	Screw	X	3
21	B266-8	Sleeve	X	A/R
22	NAS1097AD4	Rivet (Ref)		
23	NAS6604-2	Bolt	X	1
24	D703-10	Support Weldment	X	1
	D703-1	Support Weldment (Ref, earlier aircraft)		
25	C238-18	Windshield Frame – RH Chin (Ref)		
26	D704-6	Bracket	X	1
27	D580-2	Fan Assembly (Incl items 28, 32 thru 34, and wires; 28-volt ships)	X	1
	D580-3	Fan Assembly (Incl items 28, 33, 34, and wires; 14-volt ships)	X	1
28	D351M-024GK-2	Fan	X	1
29	92196A108	Screw	X	8
30	5399K17	Hose	X	1

NOTES

Continues

FIGURE AND INDEX NUMBER	PART NUMBER	DESCRIPTION	PARTS AVAIL	QTY PER ASSY
PILOT'S SIDE AVIONICS CONSOLE (Cont'd)				
97-13-31	D704-11	Nozzle	X	1
32	SPH-330	Resistor (28-volt ships only)	X	1
33	B158-404	Heat Shrink (28-volt ships)	X	A/R
	B158-2	Heat Shrink (14-volt ships)	X	A/R
34	B263-12	Housing	X	1
	B263-1	Pin	X	2
35	GNS 530AW	GPS Transceiver (Garmin, Ref)	X	1
NOTES				

Intentionally Blank

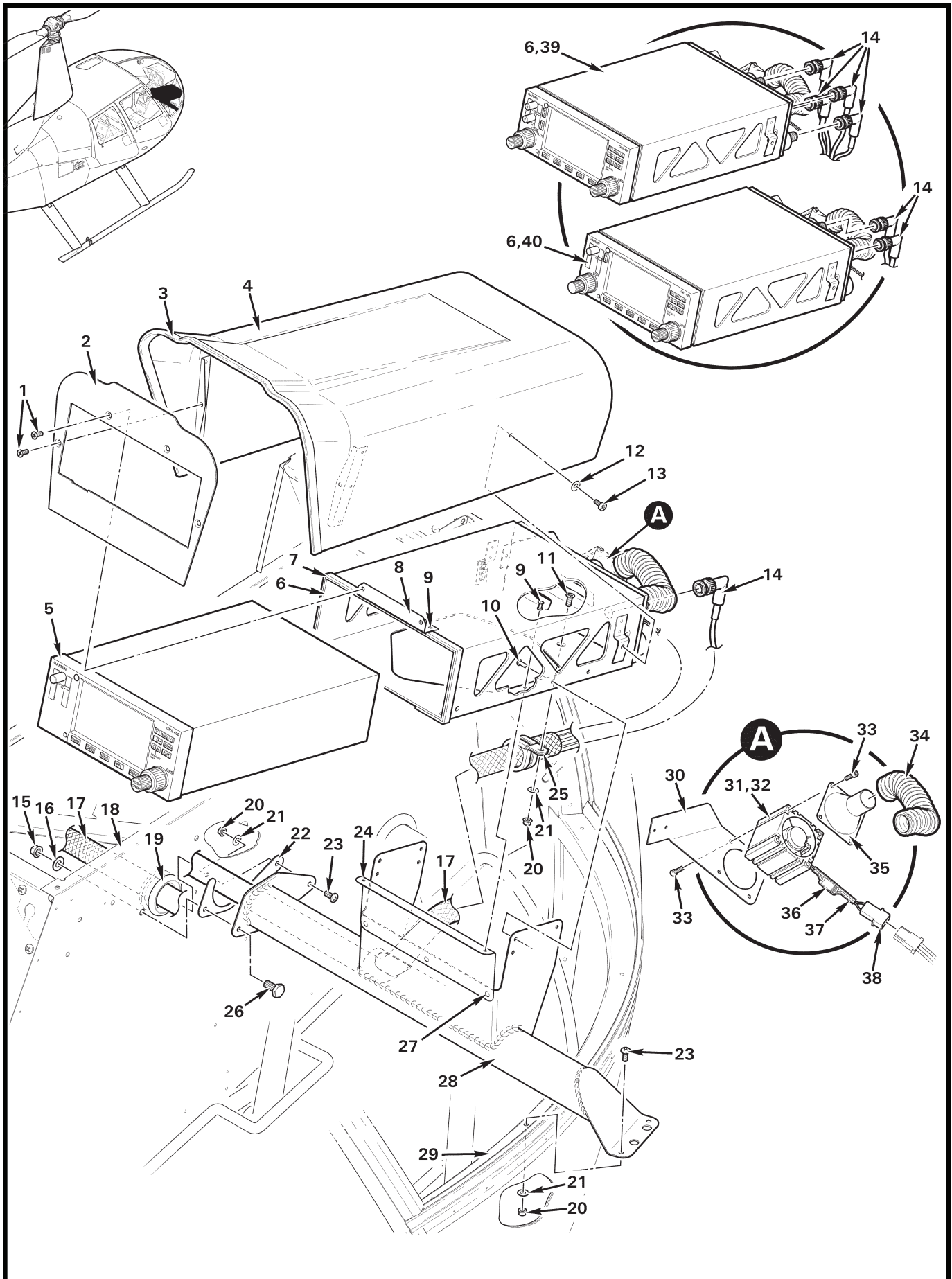


FIGURE AND INDEX NUMBER	PART NUMBER	DESCRIPTION	PARTS AVAIL	QTY PER ASSY
PILOT'S SIDE AVIONICS CONSOLE				
97-17-1	MS24693-S26	Screw	X	4
2	D704-2	Faceplate	X	1
3	A226-11	Trim	X	A/R
4	D184-1	Shell Assembly (Incl item 3)	X	1
5	GPS 400W	GPS Receiver (Garmin)	X	1
6	—	Radio Rack Assembly (supplied with receiver or transceiver) . .	O	1
7	A226-7	Seal	X	A/R
8	D704-9	Angle Assembly	X	1
9	MS20426AD-3	Rivet (Ref)		
10	NAS1097AD-4	Rivet (Ref)		
11	MS24694-S4	Screw	X	1
12	NAS1149FN616P	Washer	X	2
13	92196A145	Screw	X	2
14	5225973-4	Plug (90° BNC, one plug for GPS wiring, additional plugs for Com and Nav wiring; lead free)	X	A/R
	225973-4	Plug (90° BNC, one plug for GPS wiring, additional plugs for Com and Nav wiring)	X	A/R
15	MS21042L4	Nut	X	1
16	NAS1149F0432P	Washer	X	1
17	B266-8	Sleeving	X	A/R
18	C359-2	Panel – Console (Ref)		
19	NAS557-14B	Grommet	X	1
20	MS20142L08	Nut	X	4
21	NAS1149FN816P	Washer	X	4
22	D703-8	Shim	X	A/R
23	MS27039C0806	Screw	X	3
24	D704-12	Stiffener (Ref)		
25	MS21919WDG14	Clamp	X	1
26	NAS6604-2	Bolt	X	1
27	MS20470AD3	Rivet (Ref)		
28	D703-1	Support Weldment (Incl items 23 and 26)	X	1
29	C238-18	Windshield Frame – RH (Chin, Ref)		

NOTES

Continues

FIGURE AND INDEX NUMBER	PART NUMBER	DESCRIPTION	PARTS AVAIL	QTY PER ASSY
PILOT'S SIDE AVIONICS CONSOLE (Cont'd)				
97-17-30	D704-6	Bracket	X	1
31	D580-2	Fan Assembly (Incl items 32, 36 thru 38, and wires; 28-volt ships)	X	1
	D580-3	Fan Assembly (Incl items 32, 37, 38, and wires; 14-volt ships)	X	1
32	D351M-024GK-2	Fan	X	1
33	92196A108	Screw	X	8
34	5399K17	Hose	X	1
35	D704-11	Nozzle	X	1
36	SPH-330	Resistor (28-volt ships only)	X	1
37	B158-404	Heat Shrink (28-volt ships)	X	A/R
	B158-2	Heat Shrink (14-volt ships)	X	A/R
38	B158-404	Housing	X	1
	B263-1	Pin	X	2
39	GNS 430W	GPS Transceiver (Garmin)	X	1
40	GNC 420W	GPS Transceiver (Garmin)	X	1
NOTES				

Intentionally Blank

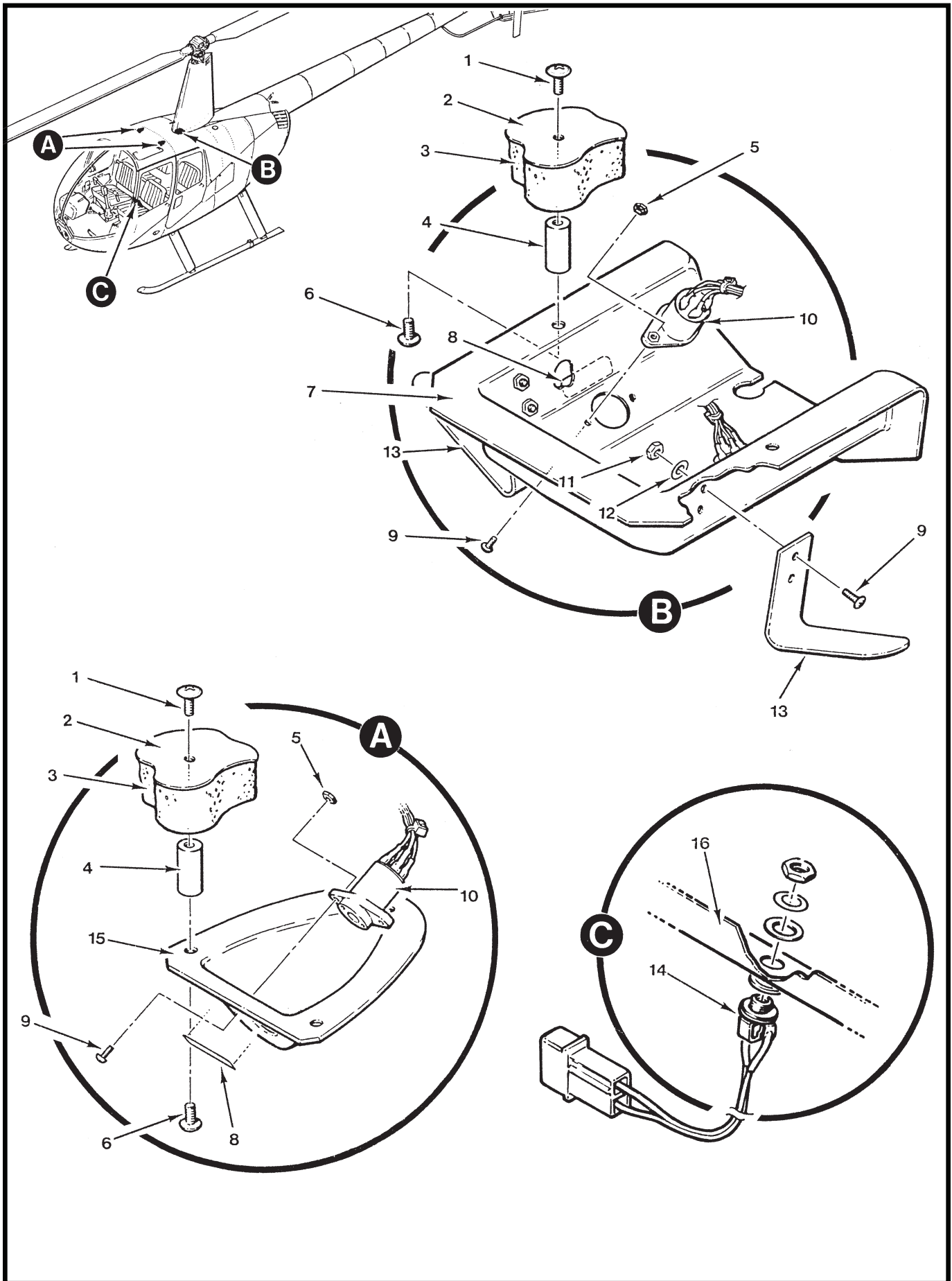


FIGURE AND INDEX NUMBER	PART NUMBER	DESCRIPTION	PARTS AVAIL	QTY PER ASSY
HEADSET JACKS				
97-21-1	AN526C832R6	Screw	X	8
2	—	Panel – Roof (Ref)		
3	—	Foam Insulation (Ref)		
4	C710-3	Spacer	X	8
5	B330-2	Palnut	X	8
6	MS27039C0805	Screw	X	8
7	A712-3	Cover	X	1
8	A654-16	Decal (“Headset”)	X	4
9	MS35206-215	Screw	X	10
10	TJ-120	Jack	X	4
11	MS21042L04	Nut	X	4
12	NAS1149FN416P	Washer	X	4
13	A752-1	Angle (headset holder)	X	2
14	C049-6	Harness Assembly (external audio input)	X	1
15	C710-1	Cover Assembly (Includes item 8)	X	2
	C710-4	Cover (headset jacks – dual, not shown)	X	2
16	C054-1	Cover (Ref; see Figure 6-7)		

NOTES

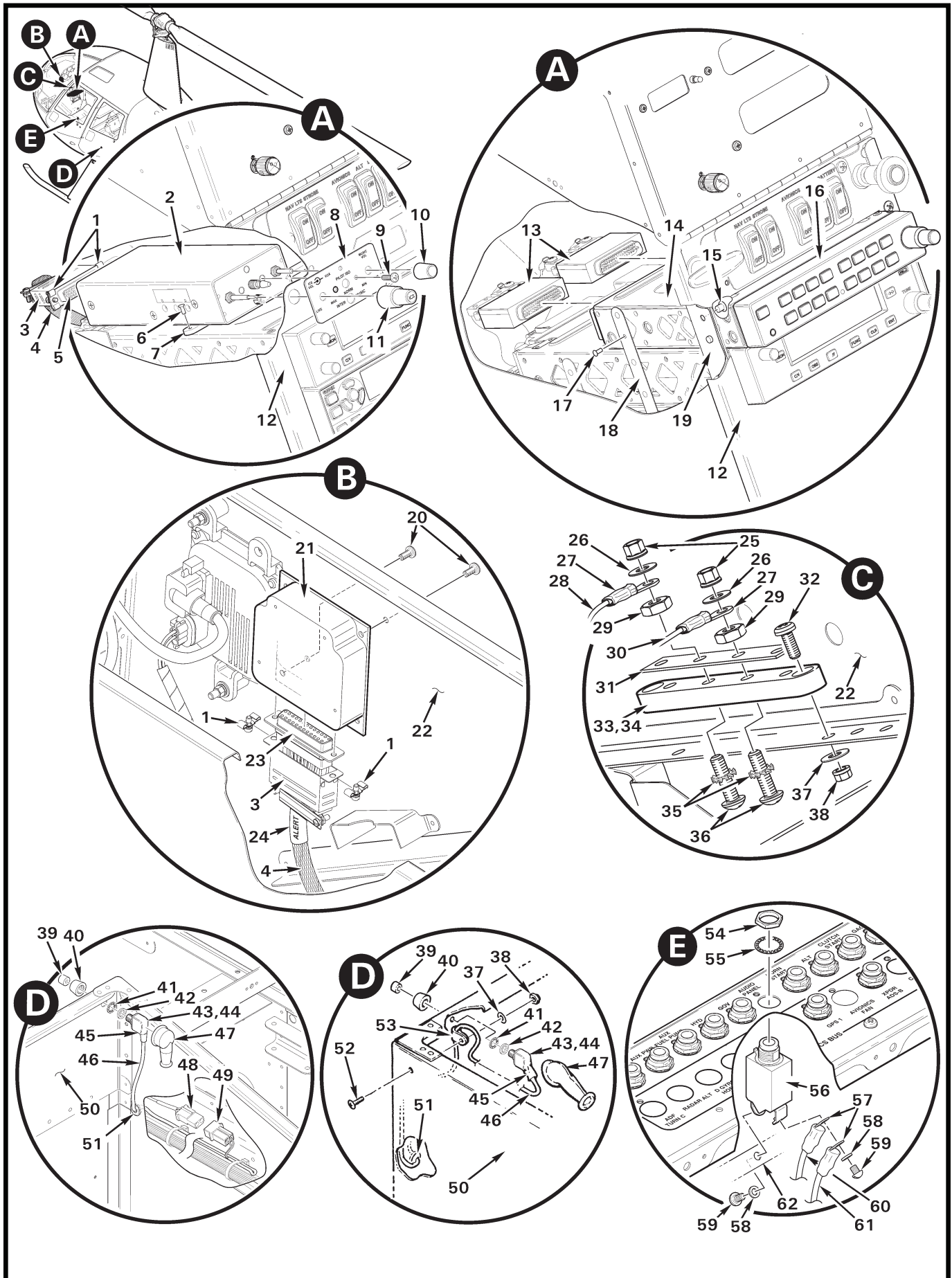


FIGURE AND INDEX NUMBER	PART NUMBER	DESCRIPTION	PARTS AVAIL	QTY PER ASSY
INTERCOM CONTROL INSTALLATION				
97-23-1	B269-31	Male Screw Lock	X	2
2	B338-2	Intercom System Unit (Includes items 8 thru 11. Contact RHC Technical Support to replace B338-1 ICS control. B338-2 control not compatible with old revision C049 harness assembly.) . .	X	1
3	B269-23	Backshell	X	2
4	B266-8	Sleeving	X	A/R
5	B269-82	Receptacle (44-socket)	X	1
	B267-5	Splice	X	1
	B267-2	Terminator (not shown)	X	7
	B267-3	Terminator (not shown)	X	5
6	MS20426AD3	Rivet	X	1
7	A736-1	Support (install using item 6)	X	2
8	50-04-832*	Faceplate	X	1
9	25-11-427	Screw	X	3
10	40-18-MUS2	Knob (small)	X	1
11	40-21-ICS3	Knob (large)	X	1
12	C641	Panel – Avionics (Ref)		
13	011-02302-00**	Connector Kit (Ref)		
14	115-0145-2-00**	Install Rack (Ref)		
15	MS20426AD5	Rivet	X	4
16	GMA350HC**	Audio Control (Incl items 13 and 14)	X	1
17	NAS1097AD3	Rivet	X	4
18	A684-1	Strap	X	2
19	C905-5	Angle	X	2
20	MS35206-227	Screw	X	2
21	F793-1	Alert Box (tone generator)	X	1
22	C033	Console Assembly – Lower (Ref)		
23	B269-12	Receptacle (25-Socket)	X	1
	B267-2	Terminator	X	2
	B267-3	Terminator	X	1
	B267-5	Splice	X	1
24	B158-8	Heat Shrink (labeled "ALERT")	X	A/R

NOTES * N.A.T. part number
 ** Garmin part number.

Continues

FIGURE AND INDEX NUMBER	PART NUMBER	DESCRIPTION	PARTS AVAIL	QTY PER ASSY
INTERCOM CONTROL INSTALLATION (Cont'd)				
97-23-25	MS21042L08	Nut	X	2
26	NAS1149FN816P	Washer	X	2
27	B260-3	Terminal	X	2
28	F859-239	Wire (Ref; ground)		
29	B301-8	Nut	X	4
30	F859-643	Wire (Ref; ground, audio control)		
31	A448-10	Bus Bar	X	1
32	MS35206-228	Screw	X	2
33	C448-2	Terminal Block Assembly (Incl items 29, 31, 35, and 36)	X	1
34	C448-5	Block (Ref)		
35	91120A130	Washer	X	4
36	B567-43	Screw	X	4
37	NAS1149FN616P*	Washer	X	2
38	MS21042L06*	Nut	X	2
39	801801000	Cap (white)	X	1
40	702501201	Dress Nut	X	1
41	B227-3	Lockwasher	X	1
42	94773A770	Washer	X	1
43	C049-10	Harness Assembly (LH and RH, includes 44 thru 48, and 51)	X	2
44	B227-8	Switch Assembly (Incl items 39 thru 42)	X	1
45	B158-8	Heat Shrink (around item 44)	X	A/R
46	B158-2	Heat Shrink (around wires)	X	A/R
47	MS25171-1S	Nipple	X	1
48	B263-12	Housing	X	1
	B263-1	Pin	X	2
49	B263-13	Housing (Ref)		
50	C291	Aft Seat Support Assembly (RH shown; Ref)		
51	MS35489-4	Grommet	X	1
52	MS35206-228*	Screw	X	2
53	7622*	Clamp	X	1
54	—	Nut	O	1

NOTES * Earlier R44s.

Continues

FIGURE AND INDEX NUMBER	PART NUMBER	DESCRIPTION	PARTS AVAIL	QTY PER ASSY
INTERCOM CONTROL INSTALLATION (Cont'd)				
97-23-55	—	Washer	O	1
56	B297-5	Circuit Breaker (2 amp; used with item 2. Includes items 54, 55, 58, and 59.)	X	1
	B297-2	Circuit Breaker (5 amp; used with item 16. Includes items 54, 55, 58, and 59.)	X	1
57	B260-2	Terminal	X	2
58	—	Washer	O	2
59	—	Screw	O	2
60	C859-2916	Wire (Ref; power, alert box)		
61	C859-644	Wire (Ref; power, items 2 and 16)		
62	A448	Bus Bar (Ref)		
NOTES				

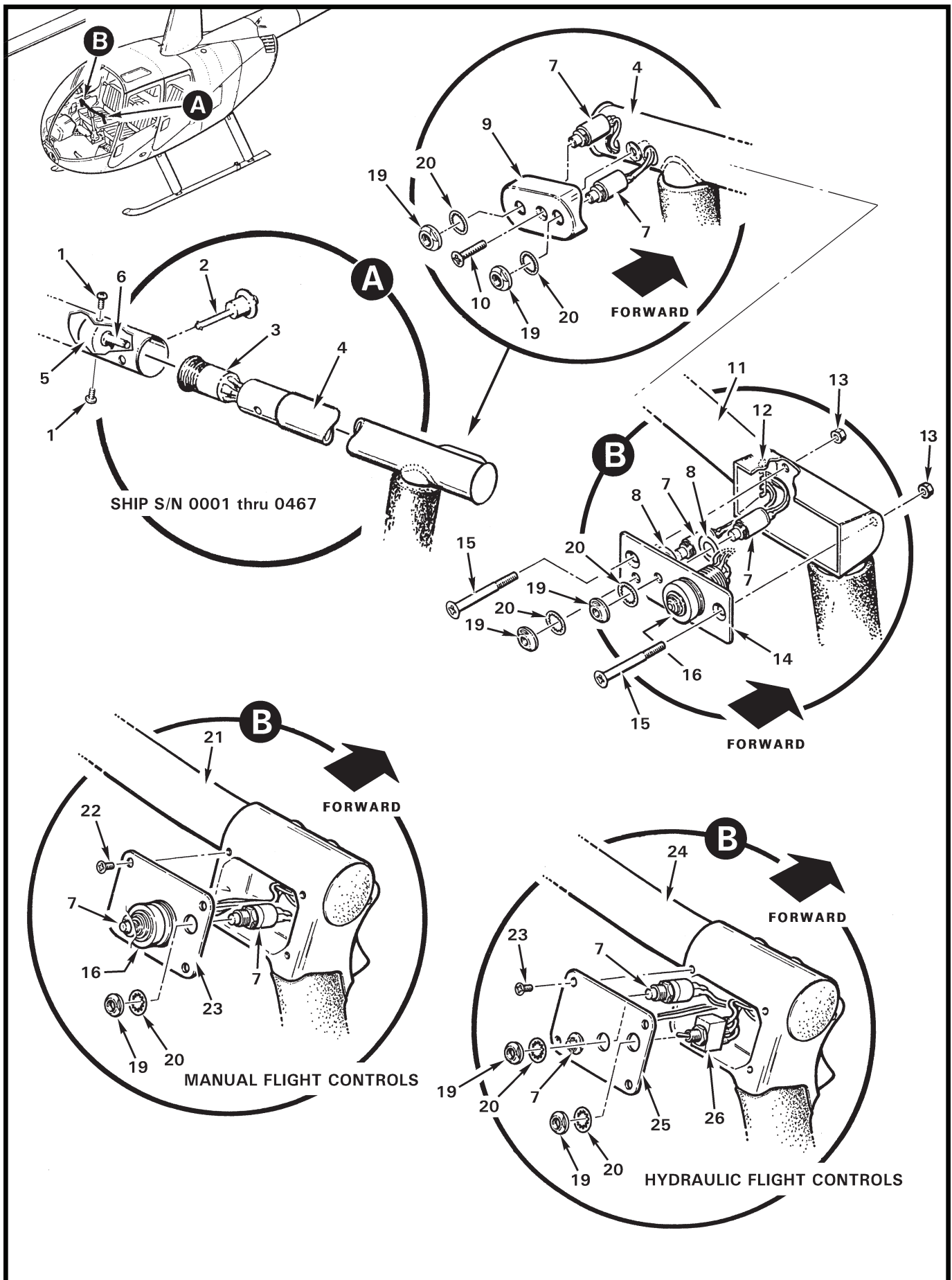


FIGURE AND INDEX NUMBER	PART NUMBER	DESCRIPTION	PARTS AVAIL	QTY PER ASSY
ICS CYCLIC GRIP SWITCHES INSTALLATION				
97-25-1	MS35206-241	Screw	X	2
2	B232-1	Handle Pin	X	1
3	TJT-120	Jack	X	1
4	A756-15*	Grip Assembly – Co-Pilot (Ref)		
5	A776-1	Mount	X	1
6	A781-1	Plug	X	1
7	B227-2	Switch Assembly (Incl items 19 and 20)	X	4
8	NAS1149F0463P	Washer	X	2
9	A216-1	Housing	X	1
10	MS24693-S51	Screw	X	1
11	A756-6*	Grip Assembly – Pilot (Ref)		
12	MS21266-1N	Grommet (install using item 17)	X	A/R
13	MS21042L08	Nut	X	2
14	C216-1	Plate	X	1
15	MS24694-S17	Screw	X	2
16	T4-0032	Switch (trim system, Ref)		
17	B270-8qt	Adhesive (one-quart can)	X	A/R
18	C058-1*	Cyclic Grip Assembly (Ref, includes items 1 thru 17; see Figure 67-1)		
19	B227-4	Dress Nut	X	1
20	B227-3	Lockwasher	X	1
21	C058-1	Grip Assembly – Pilot/Co-Pilot (Ref, Manual Flight Controls. Includes item 23. See also Figure 67-11.)		
22	MS24693-S2	Screw	X	8
23	C214-7	Plate	X	1
24	C058-7	Grip Assembly – Pilot/Co-Pilot (Ref, Hydraulic Flight Controls. Includes item 25. See also Figure 67-11.)		
25	C214-10	Plate	X	1
26	B300-3	Switch – Hydraulic (Ref; see Figure 67-11)		

NOTES * Ship S/N 0001 thru 0467.

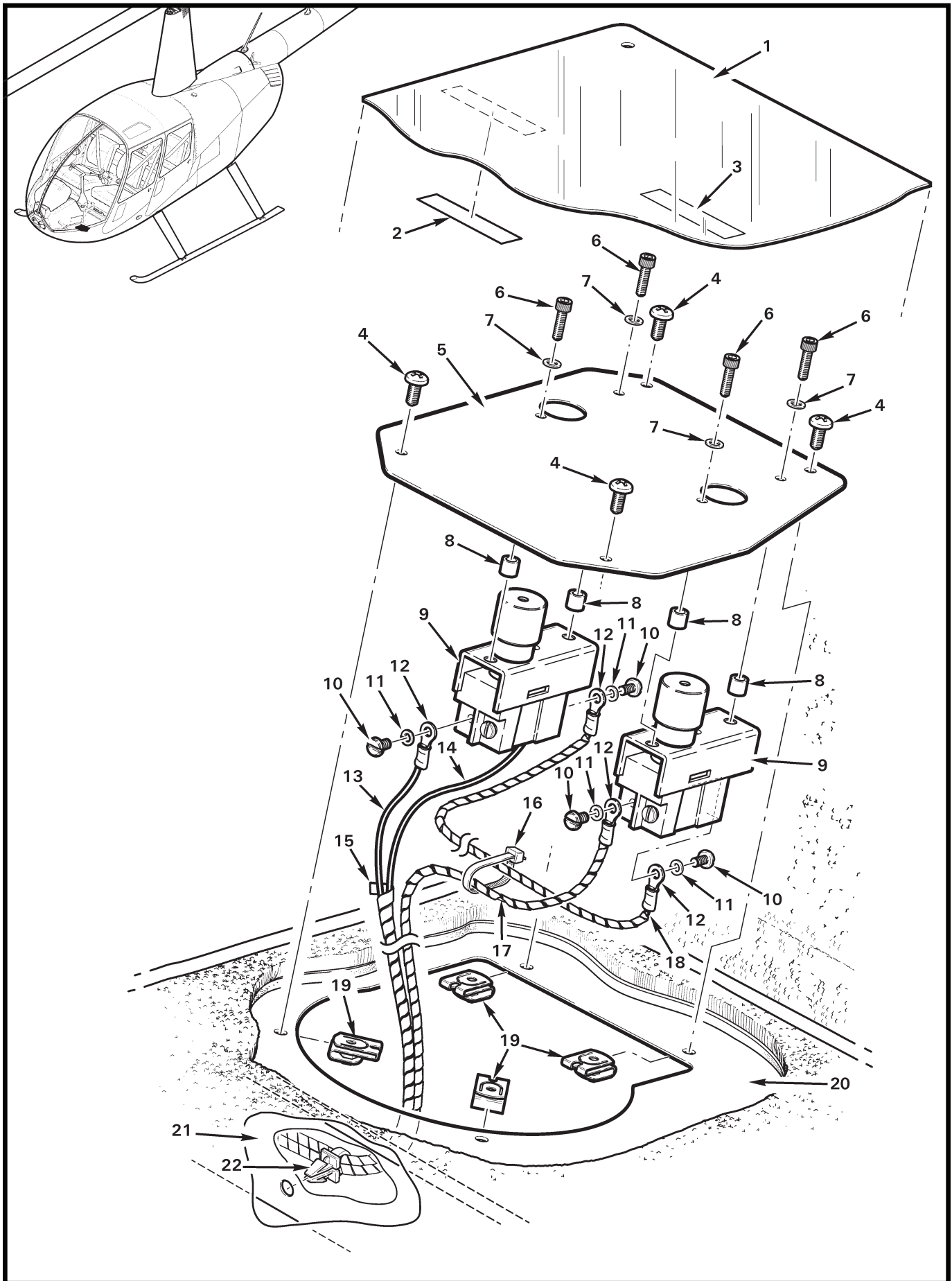


FIGURE AND INDEX NUMBER	PART NUMBER	DESCRIPTION	PARTS AVAIL	QTY PER ASSY
ICS FLOOR SWITCH INSTALLATION				
97-27-1	C469	Scuff Plate (LH, Ref)		
2	C654-30	Decal – “Intercom”	X	1
3	C654-31	Decal – “Transmit”	X	1
4	MS27039C0806	Screw	X	4
5	C797-1	Cover	X	1
6	NAS1351-06-8P	Screw (or AN502-6-8)	X	4
7	NAS620-6	Washer	X	4
8	A130-36	Spacer	X	4
9	A565-2	Switch – Foot (Incl items 10 and 11)	X	2
10	—	Screw	O	3
11	—	Lockwasher	O	3
12	B260-2	Terminal	X	5
13	C059-283	Wire (Ref)		
14	C059-284	Wire (Ref)		
15	B161-2	Spirap	X	A/R
16	MS3367-5-9	Ty-Rap	X	A/R
17	C060-686	Wire (Ref)		
18	C060-687	Wire (Ref)		
19	B162-3	Clipnut	X	4
20	C232-3	Panel – Floor (LH, Ref)		
21	C407-2	Beam (Ref, under item 20)		
22	220-242400-09	Clip	X	1

NOTES

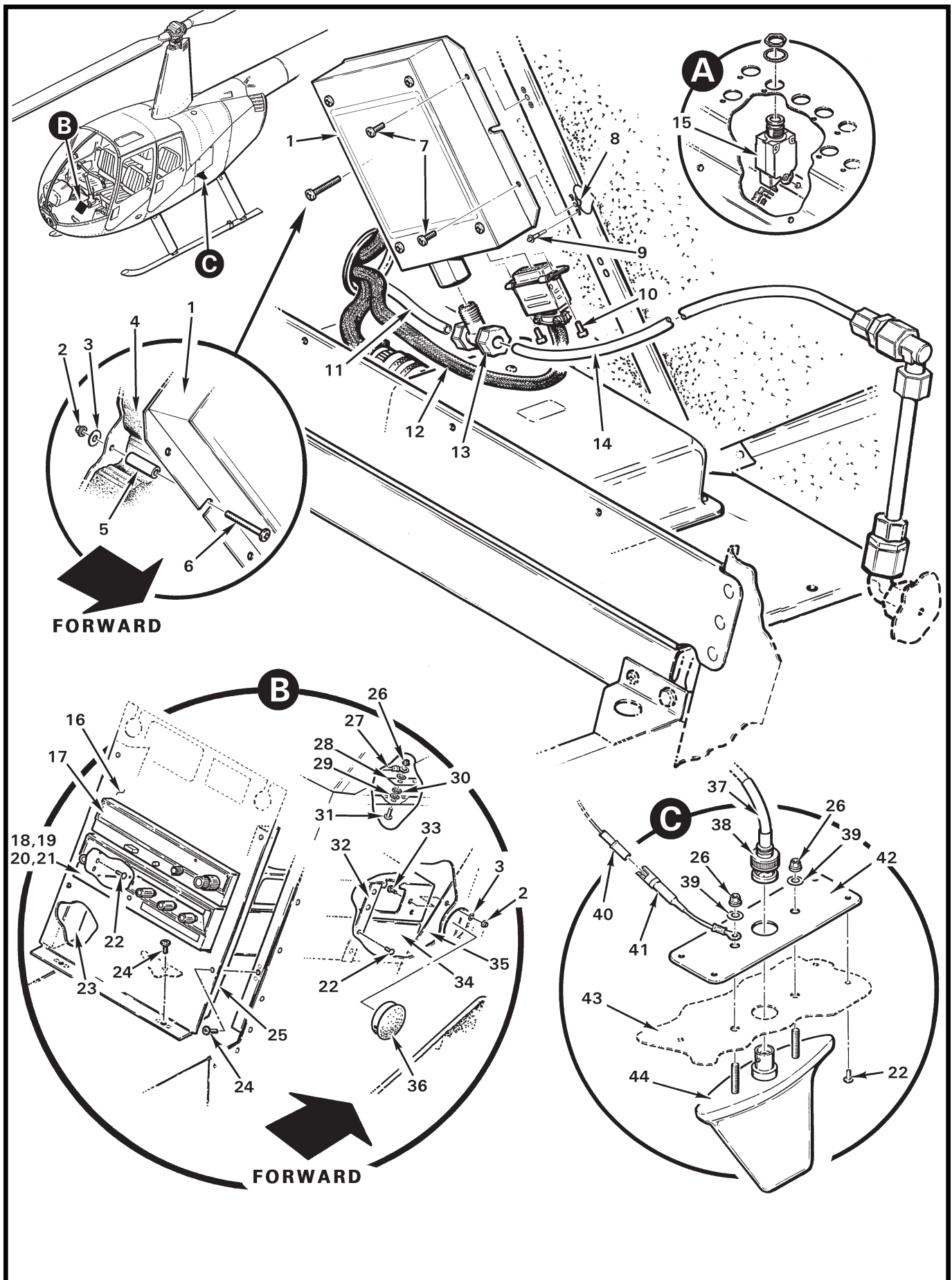


FIGURE AND INDEX NUMBER	PART NUMBER	DESCRIPTION	PARTS AVAIL	QTY PER ASSY
		TRANSPONDER AND BLIND ENCODER		
97-29-1	B240-2	Blind Encoder (solid state)	X	1
2	MS21042L06	Nut	X	3
3	NAS1149FN616P	Washer	X	3
4	C003	Insulation – Foam (Ref)		
5	A130-31	Spacer	X	1
6	MS35206-328	Screw	X	1
7	MS35206-215	Screw	X	2
8	MS21069L04	Nutplate	X	2
9	MS20605R3W2	Rivet	X	2
10	—	Screw	O	2
11	A729-23	Tube (Ref, see Figure 95-27)		
12	B241-3	Wire Harness (Incl item 10)	X	1
13	60-4-2-N-0	Tee	X	1
14	A729-12	Tube (Ref, see Figure 95-27)		
15	B297-2	Circuit Breaker (2-amp, use with items 18 and 19 [28-volt ships])	X	1
	B297-3	Circuit Breaker (3-amp, use with item 21)	X	1
	B297-5	Circuit Breaker (5-amp, use with items 19 [14-volt ships] and item 20)	X	1
16	C641	Panel – Avionics (Ref)		
17	KY 197A	Com Transceiver (Bendix/King, Ref)		
18	KT 76A	Transponder (Bendix/King, Ref)		
19	KT 76C	Transponder (Bendix/King; not shown)		
20	KT 70	Transponder (Bendix/King; not shown)		
21	GTX327	Transponder (Garmin; not shown)		
22	MS20470AD3	Rivet	X	10
23	C905-1	Angle (LH)	X	1
24	MS27039C0806	Screw (Ref)		
25	C905-2	Angle (RH)	X	1
26	MS21042L08	Nut	X	1
27	-260	Wire (Ref)		
28	A448-15	Bus Bar (3-hole)	X	1

NOTES

Continues

FIGURE AND INDEX NUMBER	PART NUMBER	DESCRIPTION	PARTS AVAIL	QTY PER ASSY
TRANSPONDER AND BLIND ENCODER (Cont'd)				
97-29-29	NAS1149DN832H	Washer	X	1
30	AN340B8	Nut	X	1
31	AN515UB8R10	Screw	X	1
32	A684-1	Strap	X	2
33	—	Screw (supplied with radio)	O	2
34	—	Tray (supplied with transponder)	O	1
35	A371-2	Stiffener (RH)	X	1
	A371-1	Stiffener (LH, not shown)	X	1
36	DP-1250	Hole Plug	X	2
37	C850-264	Cable (Ref)		
38	225395-6**	Plug	X	1
39	NAS1149FN816P	Washer	X	2
40	B263-11	Housing	X	1
	B263-2	Socket	X	1
41	B263-10	Housing	X	1
	B263-1	Pin	X	1
42	B10567	Doubler	O	1
43	C794	Panel (Ref; see Figure 6-13)	O	1
44	CI-105-16*	Antenna – Transponder (Ref; alternate part no. KA 60**) . . .	X	1

NOTES * Comant Industries part no.
 ** Honeywell Bendix/King part no.

Intentionally Blank

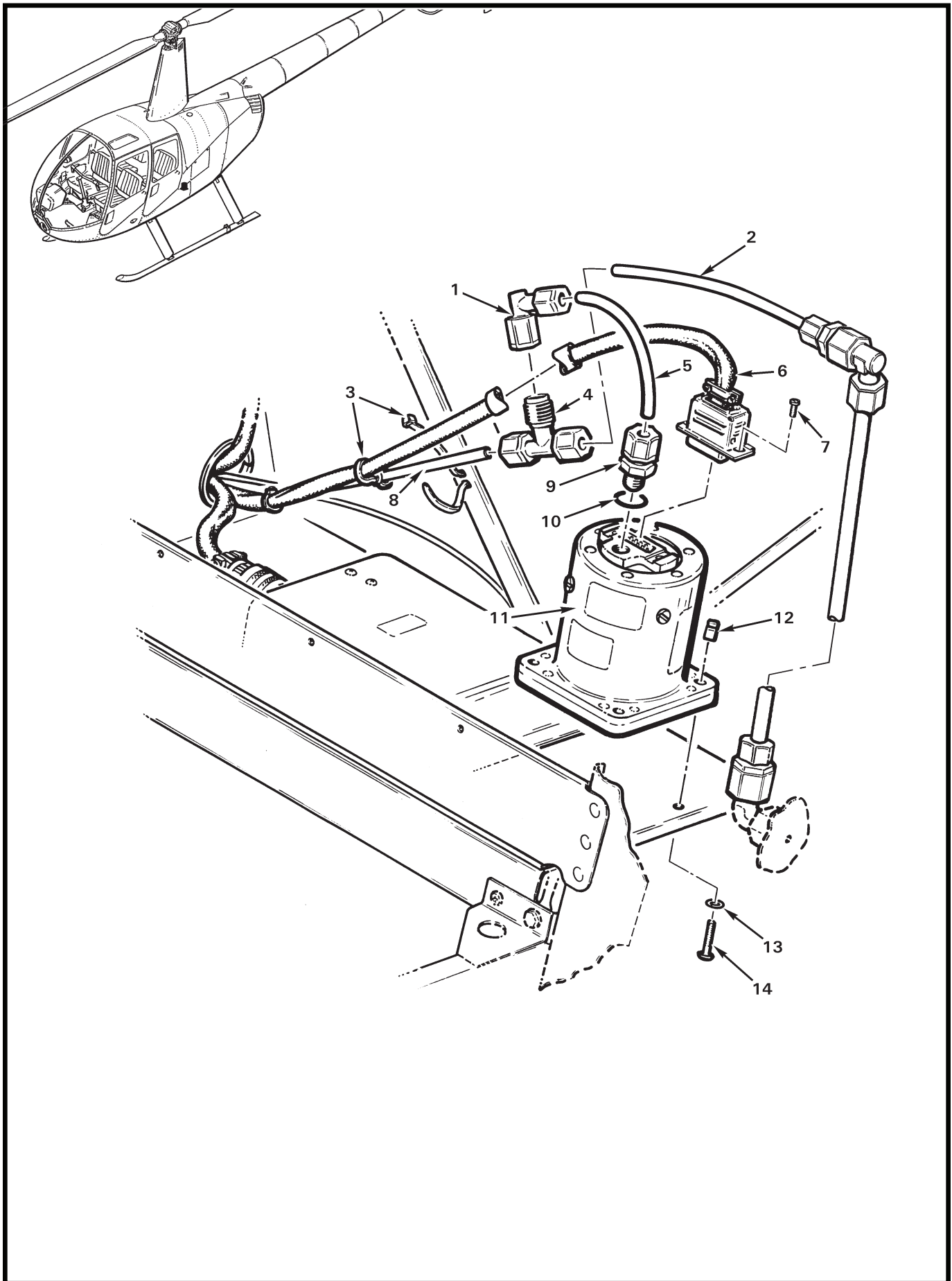


FIGURE AND INDEX NUMBER	PART NUMBER	DESCRIPTION	PARTS AVAIL	QTY PER ASSY
BLIND ENCODER INSTALLATION				
97-33-1	45-4-2-N-0	Elbow	X	1
2	A729-12	Tube (Ref, see Figure 95-49)		
3	MS3367-5-9	Ty-Rap	X	A/R
4	60-4-2-N-0	Tee	X	1
5	A729-25	Tube	X	1
6	B241-3	Wire Harness (Incl item 15)	X	1
7	—	Screw	O	2
8	A729-23	Tube (Ref, see Figure 95-49)		
9	10-4-2-N-0	Fitting	X	1
10	A215-204	O-Ring	X	1
11	B240-2	Blind Encoder (Ref, no longer available. Contact RHC Customer Service for replacement.)		
12	MS33737-16C	Instrument Nut	X	4
13	NAS1149FN616P	Washer	X	1
14	MS35206-232	Screw	X	4
NOTES				

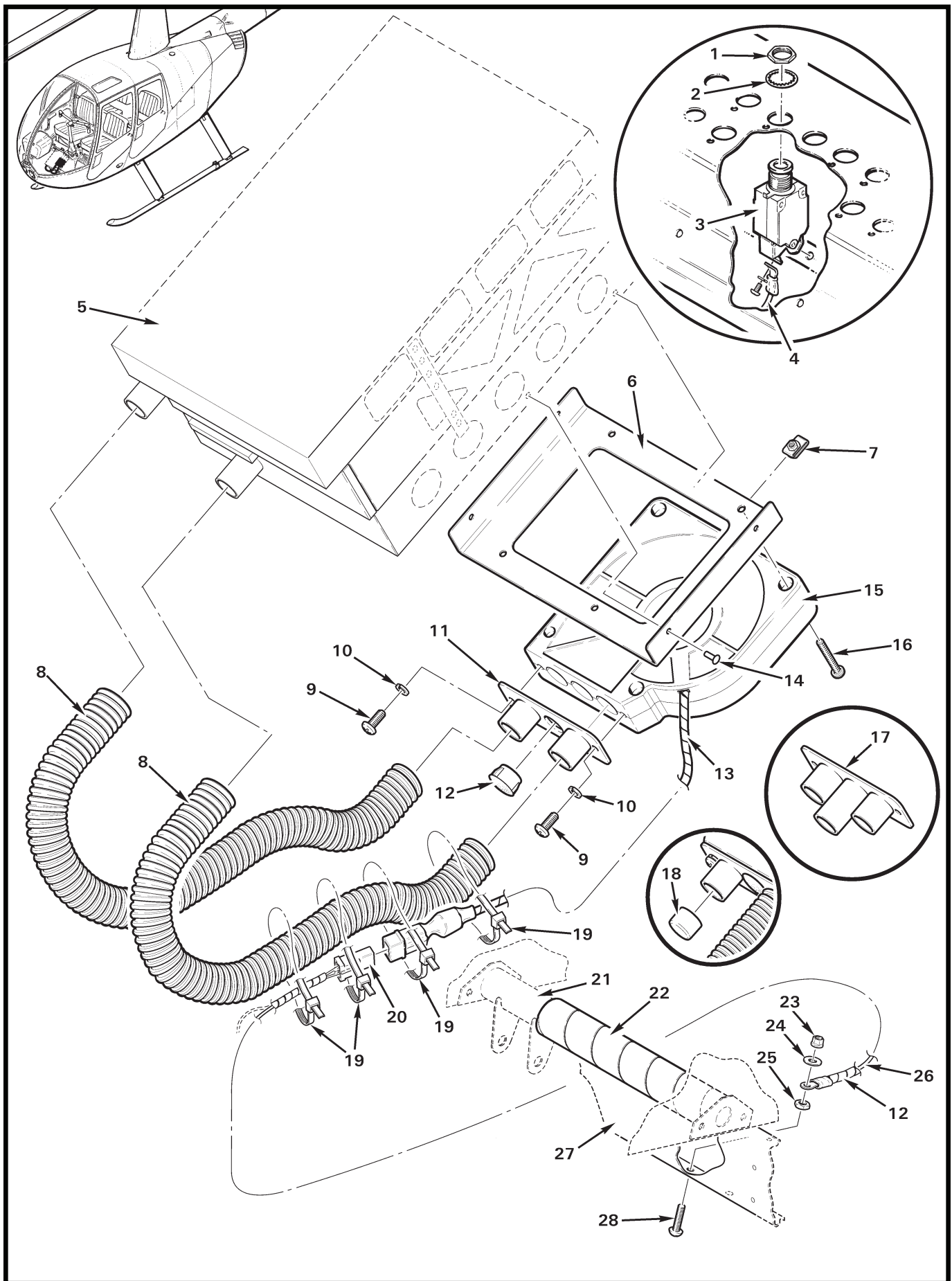


FIGURE AND INDEX NUMBER	PART NUMBER	DESCRIPTION	PARTS AVAIL	QTY PER ASSY
AVIONICS BLOWER INSTALLATION				
97-35-1	—	Nut	O	1
2	—	Lockwasher	O	1
3	B297-2	Circuit Breaker (2-amp, includes items 1 and 2)	X	1
4	—	Wire (Ref, no. 1014; power)		
5	—	Radio Tray (Ref)		
6	D561-8	Bracket (attach to bottom of item 5)	X	1
7	B162-1	Clipnut	X	4
8	5399K17	Hose	X	A/R
9	MS27039C0807	Screw	X	2
10	B332-42	Lockwasher	X	2
11	D561-3	Outlet Assembly (2-hose, includes item 12; for 1 hose installation order item 18 to cover unused outlet.)	X	A/R
12	2663	Hole plug	X	A/R
13	B161-2	Spirap	X	A/R
14	MS20470AD3	Rivet	X	4
15	D561-9	Blower Assembly (14-volt ships; includes connector, wires, heat shrink, etc., as shown.)	X	1
	D561-10	Blower Assembly (28-volt ships; includes connector, wires, heat shrink, etc., as shown.)	X	1
16	MS35206-235	Screw	X	4
17	D561-4	Outlet Assembly (3-hose)	X	A/R
18	A959-8	Cap – Avionics Blower	X	1
19	MS3367-4-9	Ty-Rap	X	A/R
20	B263-13	Housing (wire no.[s] 1014 and 1761)	X	1
	B263-2	Socket	X	2
21	C349-1	Support Assembly (Ref)		
22	B161-12	Spirap	X	A/R
23	MS21042L08	Nut	X	1
24	NAS1149DN832H	Washer (aluminum)	X	1
25	B301-8	Nut (Brass)	X	1
26	—	Wire (Ref, no. 1761; ground)		
27	C407-2	Beam (Ref)		
28	AN515UB8R10	Screw	X	1

NOTES

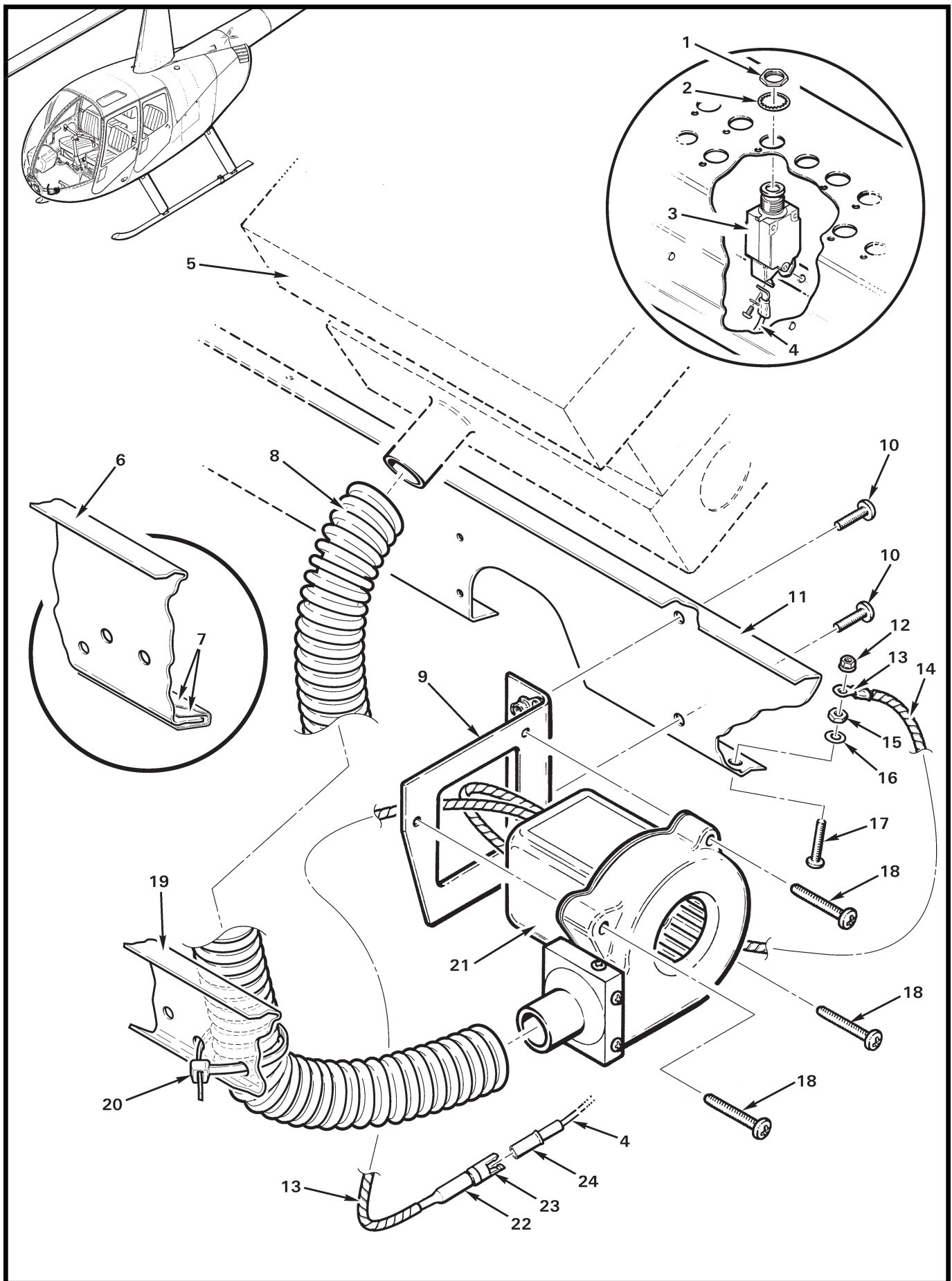


FIGURE AND INDEX NUMBER	PART NUMBER	DESCRIPTION	PARTS AVAIL	QTY PER ASSY
AVIONICS BLOWER INSTALLATION				
97-37-1	—	Nut	O	1
2	—	Lockwasher	O	1
3	B297-2	Circuit Breaker (2-amp, includes items 1 and 2)	X	1
4	—	Wire (Ref, no. 1014; power)		
5	—	Radio Tray (Ref)		
6	A406-2	Beam (Ref, large height; earlier R44s)		
7	A701-1	Tape – Foil (2 layers around edge of lower flange as shown. Used only with item 6.)	X	A/R
8	5399K17	Hose	X	A/R
9	D561-1	Bracket	X	1
10	MS27039C0806	Screw	X	2
11	C407-2	Beam (Ref)		
12	MS21042L08	Nut	X	1
13	B260-3	Terminal (ground wire)	X	1
14	B161-2	Spirap	X	A/R
15	B301-8	Nut	X	1
16	NAS1149DN832H	Washer (aluminum)	X	1
17	AN515UB8R10	Screw	X	1
18	MS35206-234	Screw	X	3
19	A406-9	Beam (Ref, small height)		
20	MS3367-7-9	Ty-Rap	X	1
21	TB1-1.5SD	Blower Assembly (14-volt; includes wires)	X	1
	TB1-1.5D	Blower Assembly (28-volt; includes wires)	X	1
22	B158-406	Heat Shrink (28-volt ships only)	X	A/R
23	B263-10	Housing	X	1
	B263-1	Pin	X	1
24	B263-11	Housing	X	1
	B263-2	Socket	X	1

NOTES

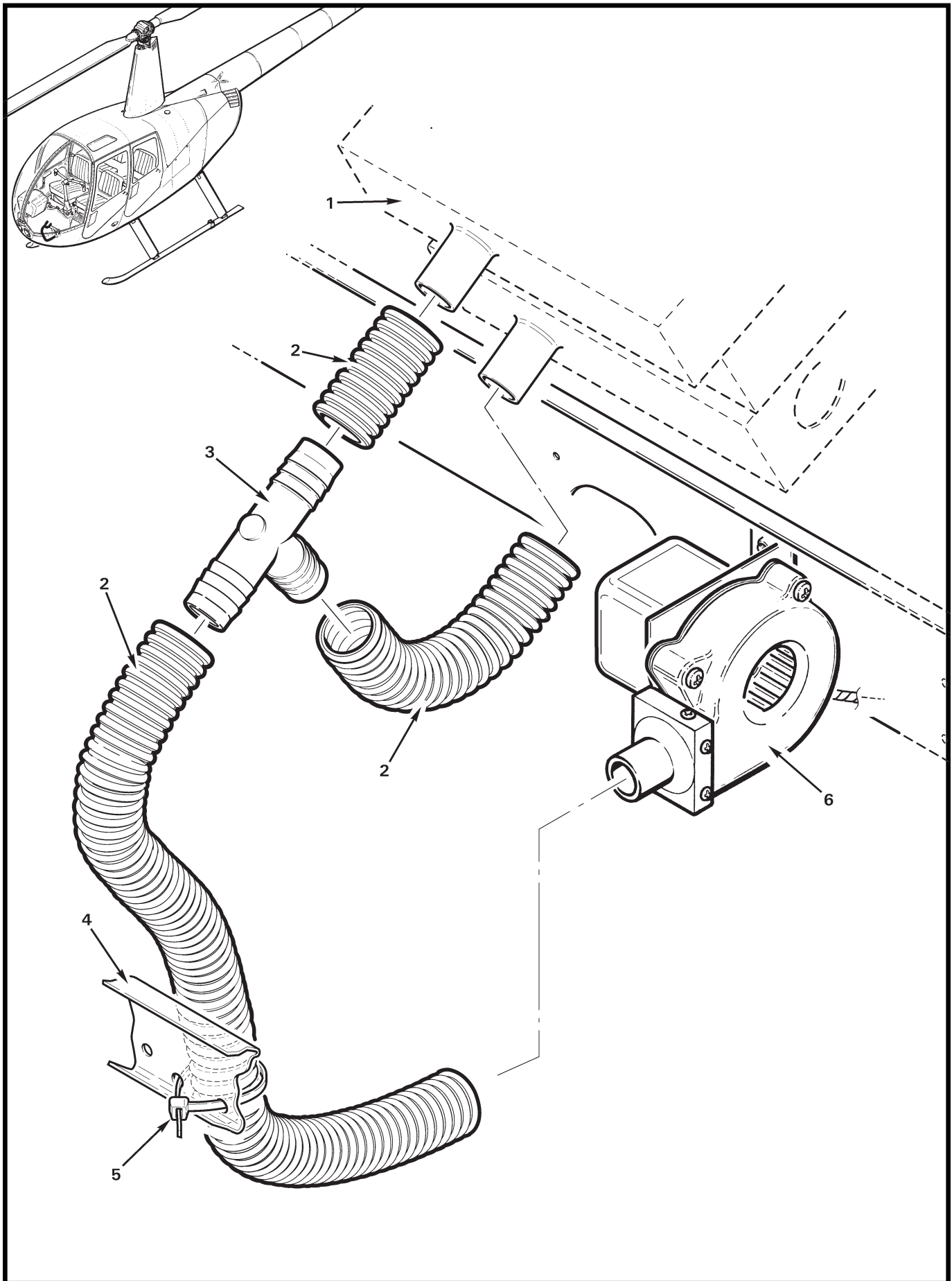


FIGURE AND INDEX NUMBER	PART NUMBER	DESCRIPTION	PARTS AVAIL	QTY PER ASSY
AVIONICS BLOWER INSTALLATION				
97-39-1	—	Radio Tray (Ref)		
2	5399K17	Hose	X	A/R
3	0715T-028	Tee	X	1
4	A406	Beam (Ref)		
5	MS3367-7-9	Ty-Rap	X	1
6	—	Blower Assembly (Ref, see Figure 97-37)		
NOTES				

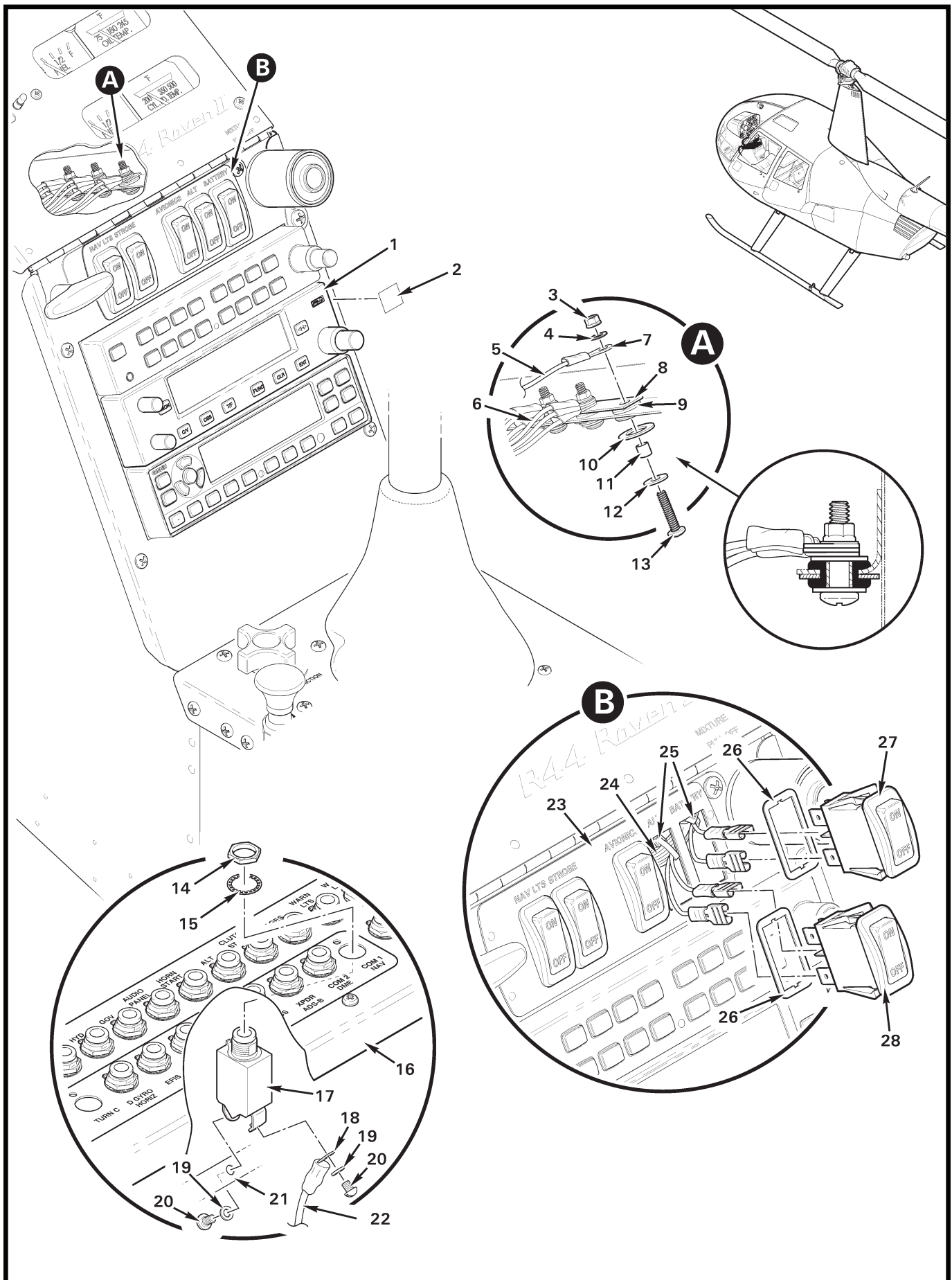


FIGURE AND INDEX NUMBER	PART NUMBER	DESCRIPTION	PARTS AVAIL	QTY PER ASSY
C802-2 COM RADIO INSTALLATION				
97-41-1	GTR 225B*	Transceiver (VHF COMM)	X	1
2	F654-38	Decal ("No. 1 COM, No. 2 COM, No. 3 COM")	X	A/R
3	MS21042L06	Nut	X	1
4	NAS620-6L	Washer	X	1
5	C802-201	Wire (Ref; ground)		
6	C802-704	Wire (Ref; for use with second COM)		
7	B260-3	Terminal	X	2
8	A448-15	Bus Bar (3-hole)	X	1
9	MS35489-4	Grommet	X	1
10	NAS1149F0532P	Washer (install in grommet groove; see detail showing parts assembled)	X	1
11	C130-59	Spacer (install in grommet bore; see detail showing parts assembled)	X	1
12	NAS1149FN632P	Washer	X	1
13	B567-28	Screw	X	2
14	—	Nut	O	1
15	—	Lockwasher	O	1
16	C490	Panel Assembly – Circuit Breaker (Ref)		
17	C297-5	Circuit Breaker (5 amp, 28-volt ships; includes items 14, 15, 19, & 20)	X	1
	C297-10	Circuit Breaker (10 amp, 14-volt ships; includes items 14, 15, 19, & 20)	X	1
18	B260-2	Terminal	X	1
19	—	Washer	O	2
20	—	Screw	O	2
21	A448	Bus Bar (Ref)		
22	C859-200	Wire (Ref; or C859-703 if item 1 is the second COM)		
23	F641-4	Cover	X	1
	F641-5	Cover (optional, not shown)	X	1
24	D049-6	Harness Assembly (Ref)		
25	MS3367-4-9	Ty-Rap (Ref)		
26	G184-5	Gasket	X	5
27	G184-2	Switch	X	1
28	G184-1	Switch	X	4

NOTES * Garmin part no.

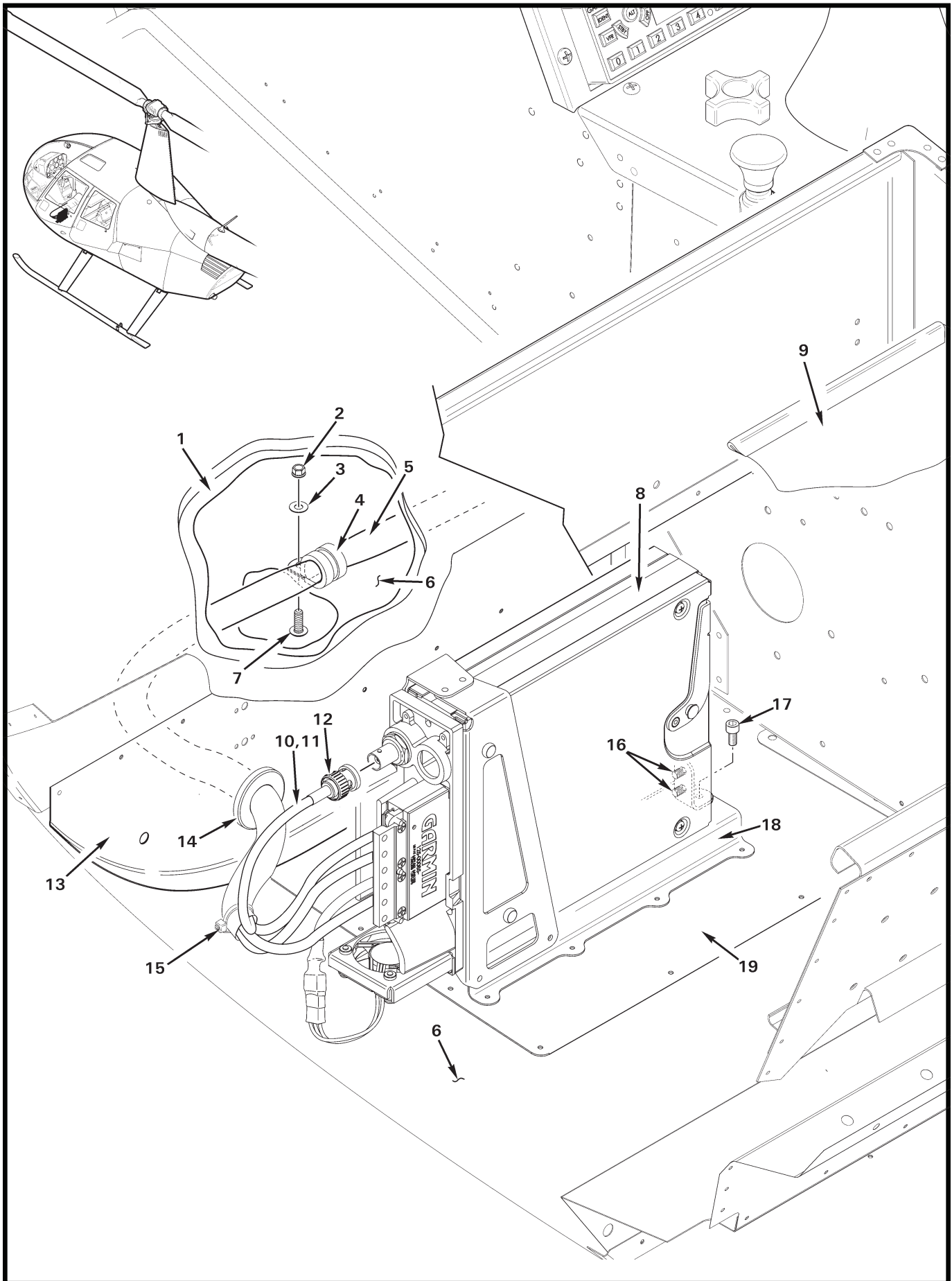


FIGURE AND INDEX NUMBER	PART NUMBER	DESCRIPTION	PARTS AVAIL	QTY PER ASSY
C803-1 ADS-B INSTALLATION				
97-43-1	C232-3	Panel (Ref, shown with carpet)		
2	MS21042L08	Nut	X	1
3	NAS1149FN816P	Washer	X	1
4	MS21919WDG8	Clamp	X	1
5	B161-8	Sleeving	X	A/R
6	C272-1	Chin (Ref)		
7	AN526C832R8	Screw	X	1
8	GDL 88*	Receiver (ADS-B)	X	1
9	C748-5	Cover Assembly (Ref)		
10	F850-452	Cable (Ref)		
11	B161-4	Sleeving	X	A/R
12	5225395-6	Plug (BNC)	X	1
13	D230-1	Bulkhead (Ref)		
14	MS35489-19	Grommet	X	1
15	MS3367-4-9	Ty-Rap (or MS3367-5-9)	X	1
16	—	Screw (supplied with item 8)	O	2
17	NAS1352-08-6P	Screw	X	1
18	C904-1	Mount Assembly (Ref)		
19	D130-1	Doubler (Ref)		

NOTES * Garmin part no.

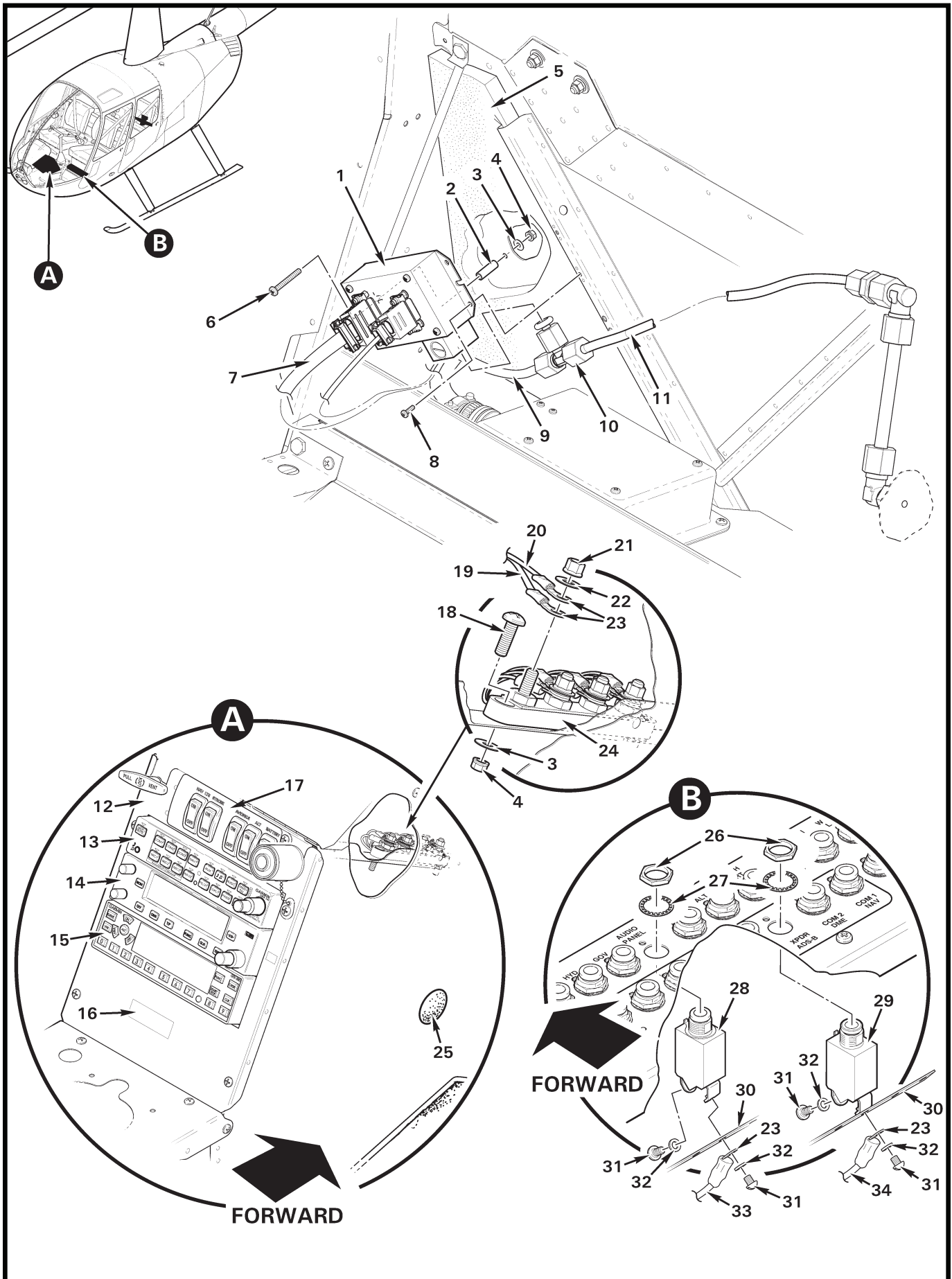


FIGURE AND INDEX NUMBER	PART NUMBER	DESCRIPTION	PARTS AVAIL	QTY PER ASSY
		GARMIN GTX 325, 335 AND 345 TRANSPONDER & BLIND ENCODER		
97-45-1	B240-3	Blind Encoder	X	1
2	A130-31	Spacer	X	1
3	NAS1149FN616P	Washer	X	2
4	MS21042L06	Nut	X	2
5	C003	Insulation – Foam (Ref)		
6	MS35206-328	Screw	X	1
7	C849	Wire Harness	X	1
8	MS35206-215	Screw	X	2
9	A729-23	Tube (Ref)		
10	60-4-2-N-0	Tee	X	1
11	A729-12	Tube (Ref)		
12	C640	Panel – Avionics (Ref)		
13	GMA 350HC*	Audio Control	X	1
14	GTR 225*	Transceiver (Ref)		
15	GTX 325*	Transponder (Mode “C”)	X	1
	GTX 335*	Transponder (Mode “S” and ADS-B Out)	X	1
	GTX 345*	Transponder (Mode “S” and ADS-B In/Out)	X	1
16	F654-37	Decal – “ADS-B OUT INSTALLED”	X	1
17	F641-4	Cover – Switches (Ref, see Figure 97-41)		
18	MS35206-228	Screw	X	1
19	-260	Wire (Ref)		
20	-643	Wire (Ref)		
21	MS21042L08	Nut	X	1
22	NAS1149FN816P	Washer	X	1
23	B260-3	Terminal (Ref)		
24	C444	Block Assembly (Ref)		
25	SI413	Hole Plug	X	2
26	—	Nut	O	2
27	—	Lockwasher	O	2
28	B297-5	Circuit Breaker (5 amp; includes items 26, 27, 31 and 32) . .	X	1
29	B297-3	Circuit Breaker (3 amp; includes items 26, 27, 31, and 32) . .	X	2
30	A448-1	Bus Bar (Ref)		
31	—	Screw	O	2
32	—	Washer	O	2
33	-644	Wire (Ref)		
34	-263	Wire (Ref)		

NOTES * Garmin part no.

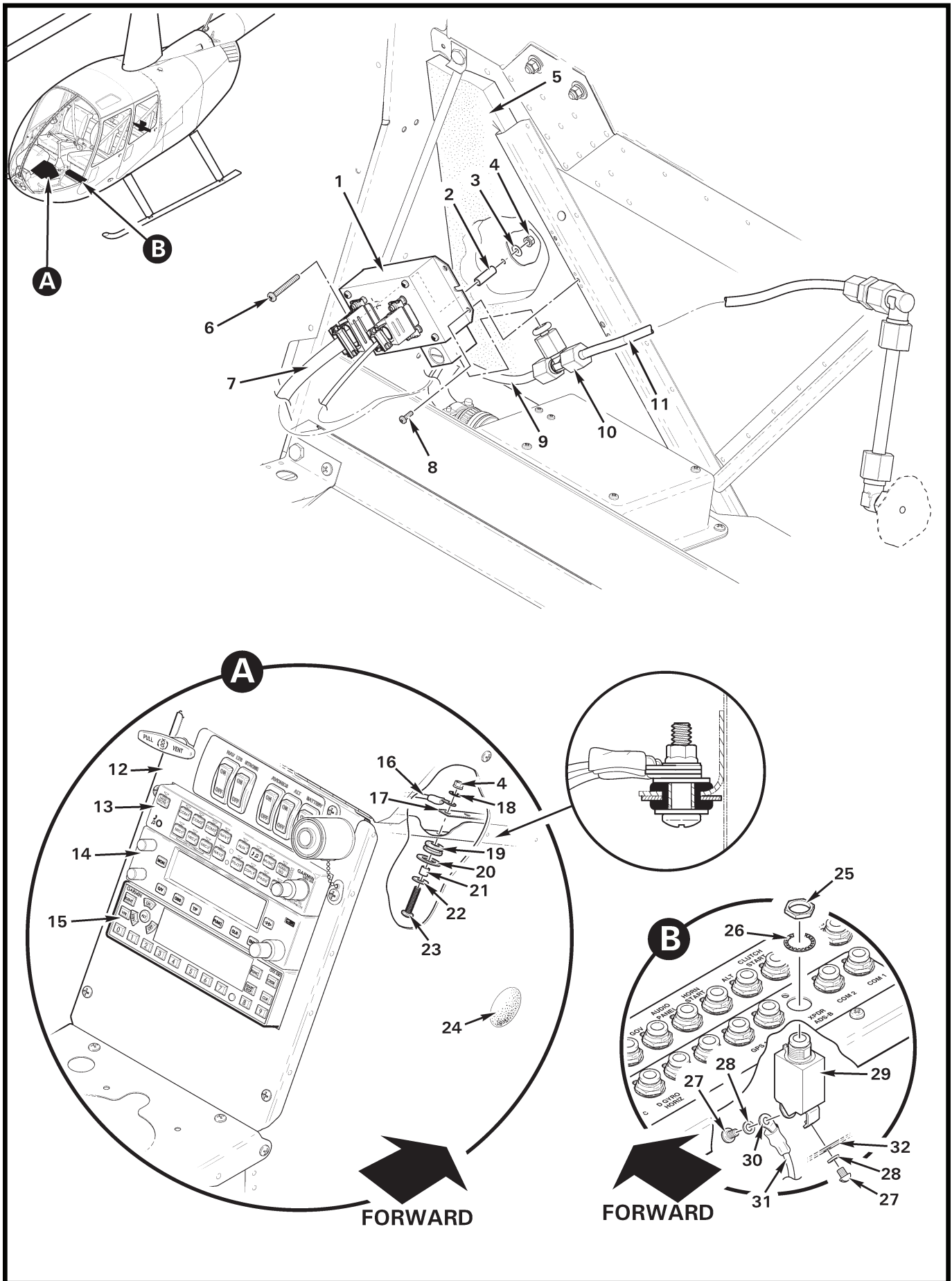


FIGURE AND INDEX NUMBER	PART NUMBER	DESCRIPTION	PARTS AVAIL	QTY PER ASSY
C804-15 TRANSPONDER INSTALLATION				
97-47-1	B240-3	Blind Encoder	X	1
2	A130-31	Spacer	X	1
3	NAS1149FN616P	Washer	X	1
4	MS21042L06	Nut	X	1
5	C003	Insulation – Foam (Ref)		
6	MS35206-328	Screw	X	1
7	B241-3	Wire Harness	X	1
8	MS35206-215	Screw	X	2
9	A729-23	Tube (Ref)		
10	60-4-2-N-0	Tee	X	1
11	A729-12	Tube (Ref)		
12	C640	Panel – Avionics (Ref)		
13	GMA 350H*	Audio Control (Ref)		
14	GTR 225*	Transceiver (Ref)		
15	GTX 330*	Transponder (Mode “S” and ADS-B Out)	X	1
16	-260	Wire (Ref)		
17	A448-15	Bus Bar (3-hole)	X	1
18	NAS620-6L	Washer	X	1
19	MS35489-4	Grommet	X	1
20	NAS1149F0532P	Washer (install in grommet groove; see detail showing parts assembled)	X	1
21	C130-59	Spacer (install in grommet bore; see detail showing parts assembled)	X	1
22	NAS1149FN632P	Washer	X	1
23	B567-28	Screw	X	1
24	SI413	Hole Plug	X	2
25	—	Nut	O	2
26	—	Lockwasher	O	2
27	—	Screw	O	2
28	—	Washer	O	2
29	B297-5	Circuit Breaker (5 amp; includes items 25 thru 28)	X	2
30	B260-3	Terminal (Ref)		
31	-263	Wire (Ref)		
32	A448-1	Bus Bar (Ref)		

NOTES * Garmin part no.

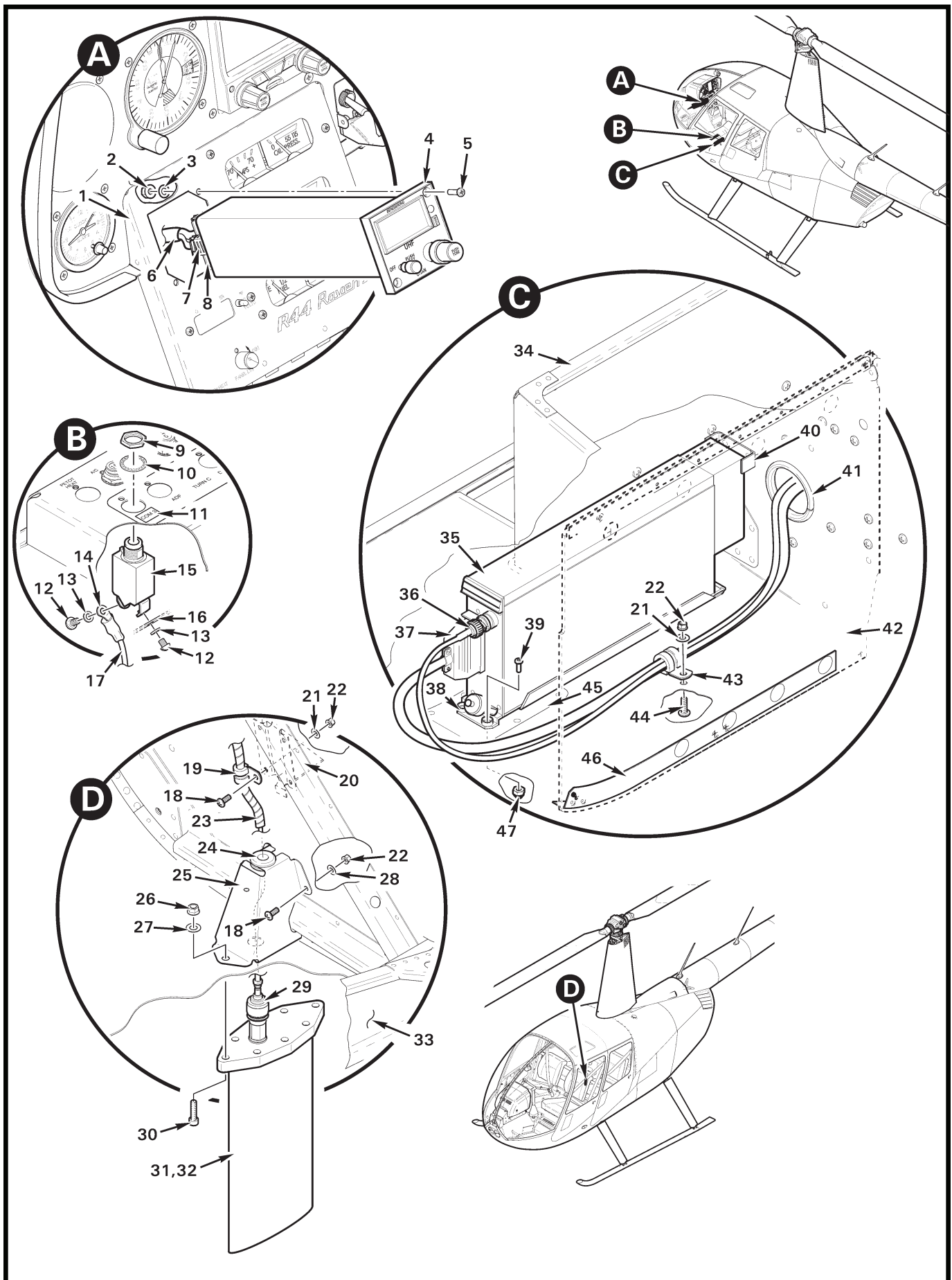


FIGURE AND INDEX NUMBER	PART NUMBER	DESCRIPTION	PARTS AVAIL	QTY PER ASSY
		C807-1 KING KTR 909 UHF TRANSCEIVER INSTALLATION		
97-49-1	C903-1	Face Assembly	X	1
2	MS21042L06	Nut	X	2
3	NAS620-6L	Washer	X	2
4	071-01546-0101	Display – Bendix-King (KTR 909A)	X	1
5	—	Screw (supplied with item 4)	O	2
6	-2668 thru -2679	Wires (Ref)		
7	030-02351-0000	Housing	X	1
	030-01188-0000	Pin	X	29
8	030-01222-0000	Housing	X	1
	030-10188-0000	Pin	X	9
9	—	Nut	O	1
10	—	Lockwasher	O	1
11	F654-38	Decal – “COM 3”	X	1
12	—	Screw	O	2
13	—	Washer	O	2
14	B260-2	Terminal	X	1
15	B297-10	Circuit Breaker (10 amp; includes items 9, 10, 12, and 13) . .	X	1
16	A448	Bus Bar (Ref)		
17	-2666	Wire (Ref)		
18	MS27039C0806	Screw	X	3
19	MS21919WDG4	Clamp	X	1
20	A454-1	Support (Ref)		
21	NAS1149FN832P	Washer	X	4
22	MS21042L08	Nut	X	4
23	B161-4	Spirap	X	A/R
24	MS35489-11	Grommet	X	1
25	C903-6	Cover	X	1
26	D210-4	Nut	X	2
27	NAS1149F0432P	Washer	X	4
28	NAS1149FN816P	Washer	X	2
29	PE4477	Plug	X	1
	-2687	Wire (Ref)		
30	NAS1351-4-16P	Screw	X	4
31	AS-3808/ARC	Antenna (84D837-1076*; install using item 32)	X	1
32	B270-1	Adhesive	X	A/R

NOTES * R. A. Miller Industries part no.

Continues

FIGURE AND INDEX NUMBER	PART NUMBER	DESCRIPTION	PARTS AVAIL	QTY PER ASSY
C807-1 KING KTR 909 UHF TRANSCEIVER INSTALLATION (Cont'd)				
97-49-33	C291-3	Support (RH, Ref; aft seat support not shown for clarity)		
34	C290-5	Seat Support (LH, Ref; FWD seat support)		
35	067-01065-0100	Transceiver	X	1
36	030-00134-0000	Plug – TNC	X	1
	-2687	Wire (Ref)		
37	030-01176-0000	Connector	X	1
	030-01428-0005	Housing	X	1
	030-03255-0000	Connector Manifold	X	1
38	071-4022-01	Rack Assembly	X	1
39	MS35206-229	Screw	X	4
40	C903-4	Support	X	1
41	NAS557-28A	Grommet	X	1
42	C748-5	Cover (Ref)		
43	MS21919WDG_	Clamp (select appropriate size for harness)	X	1
44	AN526C832R8	Screw	X	1
45	C903-3	Doubler	X	1
46	D130-3	Angle Assembly (Ref)		
47	90507A210	Nut	X	4

NOTES

Intentionally Blank

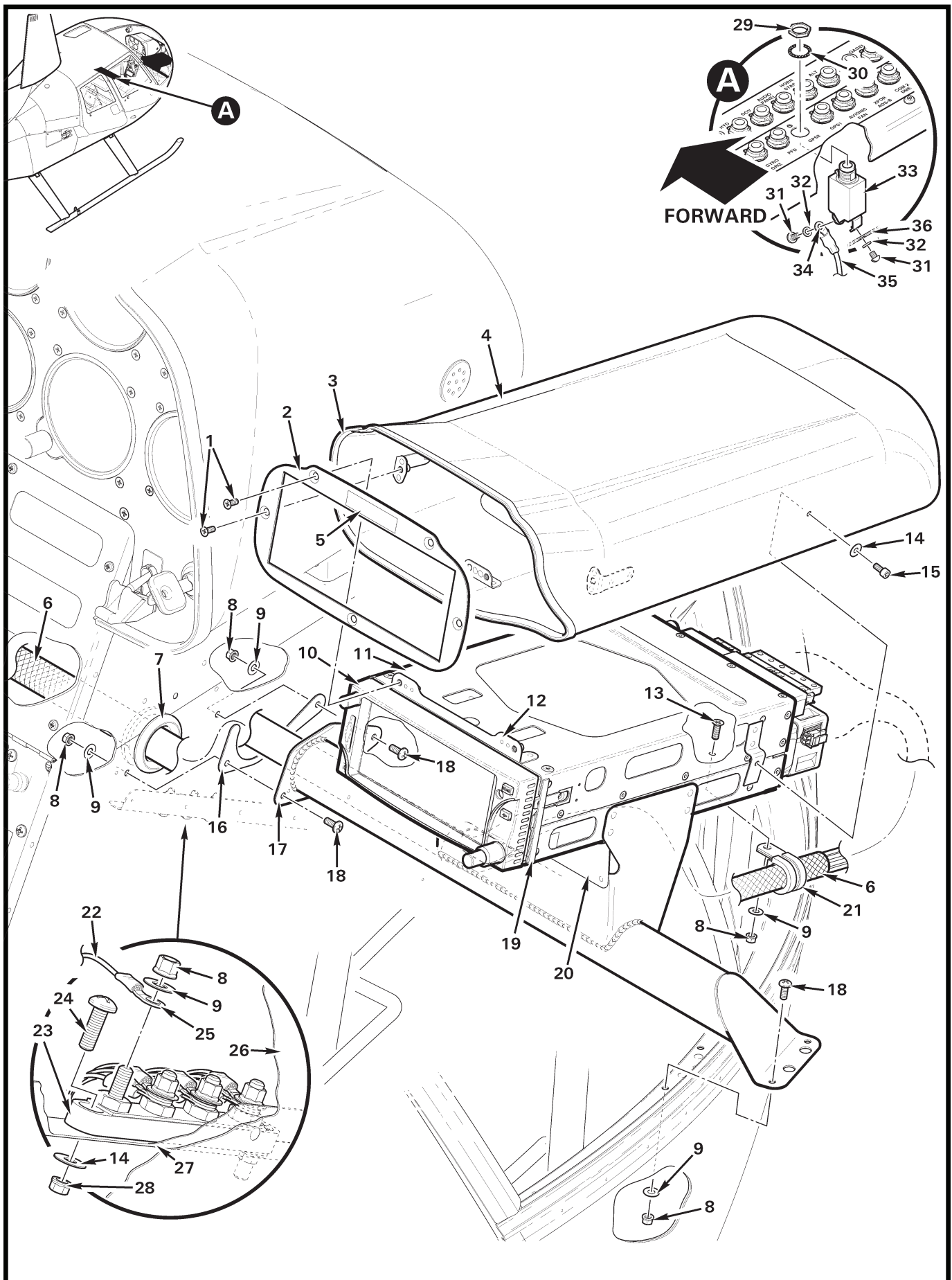


FIGURE AND INDEX NUMBER	PART NUMBER	DESCRIPTION	PARTS AVAIL	QTY PER ASSY
		C831 GPS INSTALLATION – GARMIN GTN 600 SERIES		
97-53-1	MS24694-S4	Screw	X	5
2	G704-5	Faceplate	X	1
3	A226-11	Trim	X	A/R
4	G704-1	Shell Assembly (Incl item 3)	X	1
5	F654-40	Decal (trim as required)	X	1
6	B266-8	Sleeving	X	A/R
7	NAS557-18B	Grommet	X	1
8	MS21042L08	Nut	X	6
9	NAS1149FN816P	Washer	X	5
10	GTN 650*	Transceiver (GPS/NAV/COM)	X	1
	GTN 635*	Transceiver (GPS/COM, not shown)	X	1
	GTN 625*	Transceiver (GPS, not shown)	X	1
11	—	Radio Rack Assembly (Ref, supplied with receiver or transceiver)	O	1
12	G704-7	Angle Assembly (Ref)		
13	MS24694-S4	Screw	X	1
14	NAS1149FN616P	Washer	X	3
15	92196A145	Screw	X	2
16	D703-11	Shim (3 maximum)	X	A/R
17	D703-10	Support Weldment	X	1
18	MS27039C0806	Screw	X	4
19	A226-7	Seal	X	A/R
20	G704-9	Support	X	1
21	MS21919WDG16	Clamp	X	1
22	-1427	Wire (Ref)		
23	C448	Terminal Block Assembly (Includes A448 bus bar, B562-43 screw, and B301-8 nut.)	X	1
24	MS35206-228	Screw	X	1
25	B260-3	Terminal (Ref)		
26	C359-2	Panel – Console (Ref, RH)		
27	C365-1	Angle (Ref)		
28	MS21042L06	Nut	X	1
29	—	Nut	X	1
30	—	Lockwasher	X	1
31	—	Screw	O	2

NOTES * Garmin part no.

Continues

FIGURE AND INDEX NUMBER	PART NUMBER	DESCRIPTION	PARTS AVAIL	QTY PER ASSY
C831 GPS INSTALLATION – GARMIN GTN 600 SERIES (Cont'd)				
97-53-32	—	Washer	O	2
33	B297-5	Circuit Breaker (5 amp, 28-volt ships; includes items 33 thru 36. GPS only.)	X	1
	B297-5	Circuit Breaker (5 amp, 28-volt ships; includes items 33 thru 36. For GPS with COM or COM/NAV.)	X	2
	B297-7	Circuit Breaker (7 amp, 14-volt ships; includes items 33 thru 36. GPS only.)	X	1
	B297-10	Circuit Breaker (10 amp, 14-volt ships; includes items 33 thru 36. For GPS with COM or COM/NAV, also install one B297-7 [see above].)	X	1
34	B260-2	Terminal (Ref)		
35	-1426	Wire (Ref)		
36	A448	Bus Bar (Ref)		

NOTES

Intentionally Blank

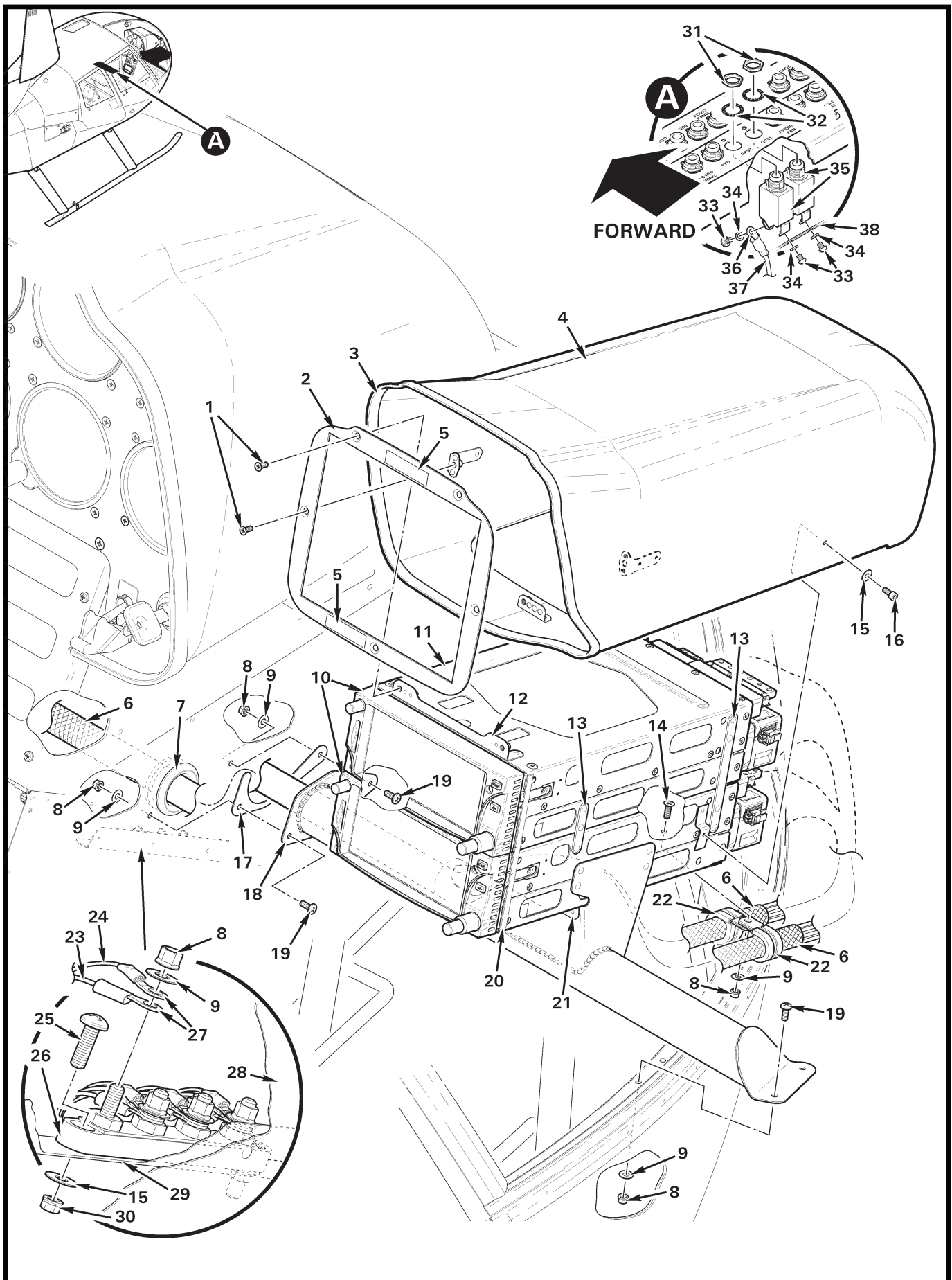


FIGURE AND INDEX NUMBER	PART NUMBER	DESCRIPTION	PARTS AVAIL	QTY PER ASSY
		C831 GPS INSTALLATION – GARMIN GTN 600 SERIES (DUAL)		
97-57-1	MS24694-S4	Screw	X	5
2	G704-13	Faceplate	X	1
3	A226-11	Trim	X	A/R
4	G704-11	Shell Assembly (Incl item 3)	X	1
5	F654-40	Decal (trim as required)	X	2
6	B266-8	Sleeving	X	A/R
7	NAS557-18B	Grommet	X	1
8	MS21042L08	Nut	X	6
9	NAS1149FN816P	Washer	X	5
10	GTN 625*	GPS Transceiver	X	A/R
	GTN 635*	GPS Transceiver	X	A/R
	GTN 650*	GPS Transceiver	X	A/R
11	—	Radio Rack Assembly (Ref, supplied with receiver or transceiver)	O	2
12	G704-7	Angle Assembly (Ref)		
13	A684-1	Strap (Ref)		
14	MS24694-S5	Screw	X	1
15	NAS1149FN616P	Washer	X	3
16	92196A145	Screw	X	2
17	D703-11	Shim (3 maximum)	X	A/R
18	D703-10	Support Weldment	X	1
19	MS27039C0806	Screw	X	4
20	A226-7	Seal	X	A/R
21	G704-9	Support	X	1
22	MS21919WDG16	Clamp	X	2
23	-465	Wire (Ref; GPS 1)		
24	-1427	Wire (Ref; GPS 2)		
25	MS35206-228	Screw	X	1
26	C448-2	Terminal Block Assembly (includes A448 bus bar, B562-43 screw, and B301-8 nut)	X	1
27	B260-3	Terminal	X	2
28	C359-2	Panel – Console (Ref)		
29	C365-1	Angle (Ref)		
30	MS21042L06	Nut	X	1
31	—	Nut	O	2

NOTES * Garmin part no.

Continues

FIGURE AND INDEX NUMBER	PART NUMBER	DESCRIPTION	PARTS AVAIL	QTY PER ASSY
C831 GPS INSTALLATION – GARMIN GTN 600 SERIES (DUAL; Cont'd)				
97-57-32	—	Lockwasher	O	2
33	—	Screw	O	4
34	—	Washer	O	4
35	B297-5	Circuit Breaker (5 amp; includes items 31 thru 34)	X	2
	B297-7	Circuit Breaker (7 amp; for R44s when GTN 635 or 650 is installed; includes items 31 thru 34)	X	2
	B297-10	Circuit Breaker (10 amp; for R44s when GTN 625 is installed; includes items 31 thru 34)	X	2
36	B260-2	Terminal (Ref)		
37	-466	Wire (Ref; GPS 1)		
	-1426	Wire (Ref; GPS 2)		
38	A448	Bus Bar (Ref)		

NOTES

Intentionally Blank

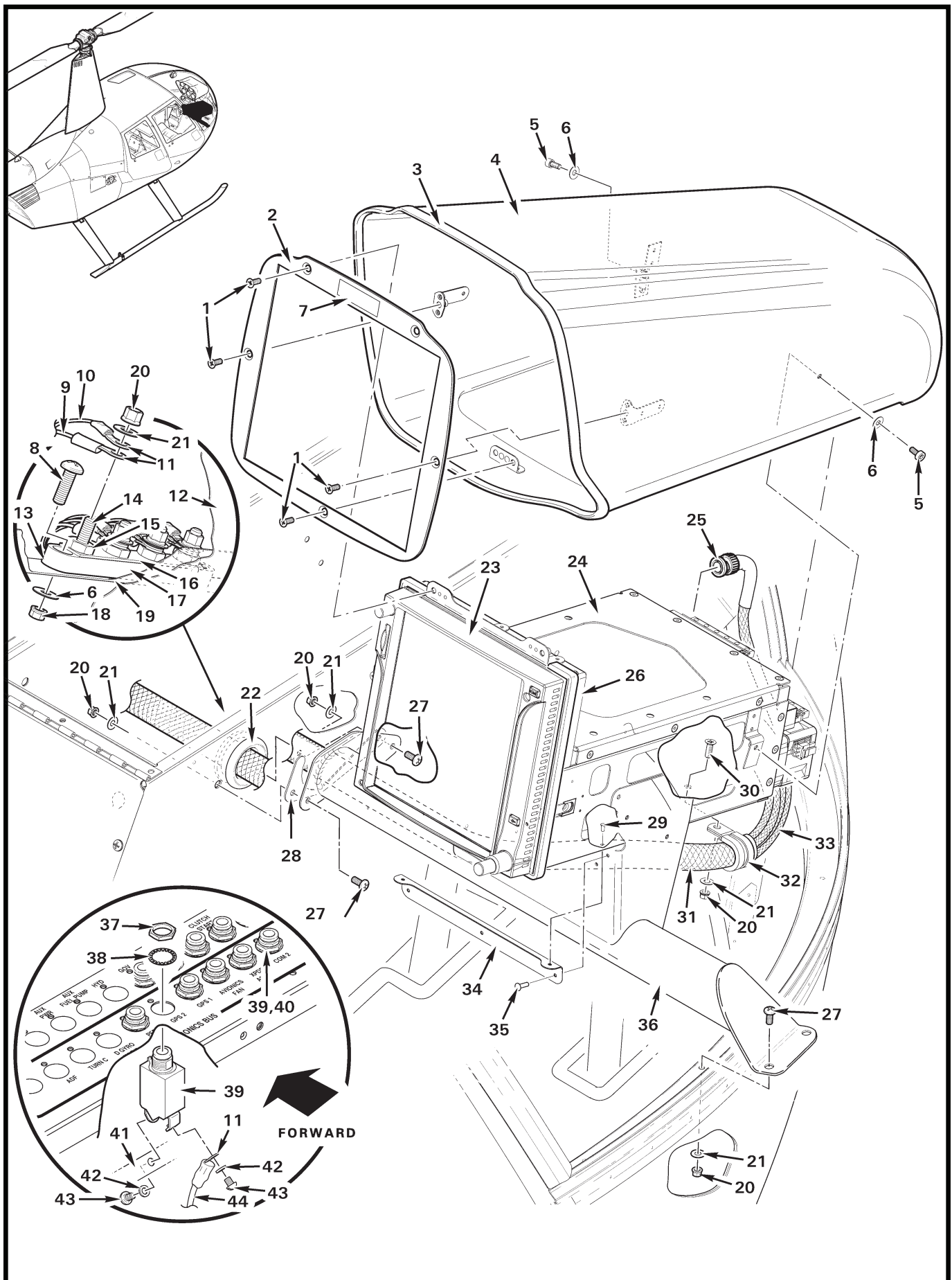


FIGURE AND INDEX NUMBER	PART NUMBER	DESCRIPTION	PARTS AVAIL	QTY PER ASSY
		C831 GPS INSTALLATION – GARMIN GTN 700 SERIES		
97-61-1	MS24693-S26	Screw	X	4
2	G704-6	Faceplate	X	1
3	A226-11	Trim	X	A/R
4	G704-2	Shell Assembly (Incl item 3)	X	1
5	92196A145	Screw	X	2
6	NAS1149FN616P	Washer	X	3
7	F654-40	Decal "No. 1, No. 2, No. 3, GPS/NAV/COM"	X	A/R
8	MS35206-228	Screw	X	2
9	C831-201/-704	Wire – Ground (-201 [COM 1], -704 [COM 2]; Ref)		
10	C831-465/-1427	Wire – Ground (-465 [GPS 1], -1427 [GPS 2]; Ref)		
11	B260-3	Terminal	X	A/R
12	C033	Console Assembly – Lower (Ref)		
13	C448-2	Terminal Block Assembly (Incl items 14 thru 17)	X	1
14	B567-43	Screw	X	4
15	B301-8	Nut	X	4
16	A448-10	Bus Bar (4-hole)	X	1
17	C448-5	Block	X	1
18	MS21042L06	Nut	X	A/R
19	C365-1	Angle (Ref)		
20	MS21042L08	Nut	X	4
21	NAS1149FN816P	Washer	X	4
22	NAS557-18B	Grommet	X	1
23	GTN 750*	Transceiver (GPS/NAV/COM)	X	1
	GTN 725*	Transceiver (GPS, not shown)	X	1
24	—	Rack (Ref)		
25	5225395-6	Plug (antenna cable)	X	1
26	A226-7	Seal	X	A/R
27	MS27039C0806	Screw	X	4
28	D703-11	Shim	X	A/R
29	MS20426AD3	Rivet	X	2
30	MS24694-4	Screw	X	1
31	B266-8	Sleeving	X	A/R
32	MS21919WDG16	Clamp	X	1
33	B266-4	Sleeving	X	A/R
34	G704-10	Support	X	1

NOTES * Garmin part no.

Continues

FIGURE AND INDEX NUMBER	PART NUMBER	DESCRIPTION	PARTS AVAIL	QTY PER ASSY
C831 GPS INSTALLATION – GARMIN GTN 700 SERIES (Cont'd)				
97-61-35	MS20470AD3	Rivet	X	2
36	D703-10	Support Weldment	X	1
37	—	Nut	O	1
38	—	Lockwasher	O	1
39	B297-5	Circuit Breaker (5 amp, 28-volt ships; includes items 37, 38, 42, and 43. GPS only, or GPS with COM, or GPS with COM/NAV.)	X	1
	B297-7	Circuit Breaker (7 amp, 14-volt ships; includes items 37, 38, 42, and 43. GPS only.)	X	1
	B297-10	Circuit Breaker (10 amp, 14-volt ships; includes items 37, 38, 42, and 43. For GPS with COM or COM/NAV, also install one B297-7 [see above].)	X	1
40	C859-200 or -703	Wire (-200 [COM 1], -703 [COM 2], not shown; Ref)		
41	A448	Bus Bar (Ref)		
42	—	Washer	O	2
43	—	Screw	O	2
44	C859-466 or -1426	Wire (Ref; -466 [GPS 1], -1426 [GPS 2])		

NOTES