

CHAPTER 95
INSTRUMENT SYSTEM

<i>Figure</i>	<i>Title</i>	<i>Page</i>
95-1	Garmin G500H Console – Instruments	95.0
95-5	Garmin G500H Console – GDU 620 Display	95.4
95-7	Garmin G500H Console – Pitot/Static Tubes	95.6
95-9	Garmin G500H Console – Components	95.8
95-13	Aspen PFD Installation	95.12
95-15	Aspen PFD and MFD Installation	95.14
95-17	Aspen PFD Installation – Pitot/Static Lines	95.16
95-19	Aspen PFD Installation – Pitot/Static Lines	95.18
95-21	Aspen PFD and MFD Installation – Pitot/Static Lines	95.20
95-23	Seven-Instrument Console Assembly	95.22
95-27	Seven-Instrument Console Assembly	95.26
95-33	Nine-Instrument Console Assembly	95.32
95-35	Ten-Instrument Console Assembly (IFR Trainer)	95.34
95-41	Ten-Instrument Console Assembly (IFR Trainer)	95.40
95-45	Compass Installation	95.44
95-47	Digital Clock Installation	95.46
95-49	Pitot/Static Lines Installation	95.48
95-53	Heated Pitot Installation	95.52
95-55	Radar Altimeter Indicator Installation	95.54
95-57	Radar Altimeter Indicator Installation	95.56
95-59	Radar Altimeter Installation	95.58
95-61	Six-Instrument Console Assembly	95.60
95-65	Eight-Instrument Console Assembly	95.64
95-69	Instrument Console Assembly – Lower Panel (R44)	95.68
95-73	Instrument Console Assembly – Lower Panel (R44 II)	95.72

CHAPTER 95

INSTRUMENT SYSTEM (Cont'd)

<i>Figure</i>	<i>Title</i>	<i>Page</i>
95-77	Six-Instrument Console Assembly – Components	95.76
95-81	Eight-Instrument Console Assembly – Components (R44)	95.80
95-83	Eight-Instrument Console Assembly – Components (R44 II)	95.82

Intentionally Blank

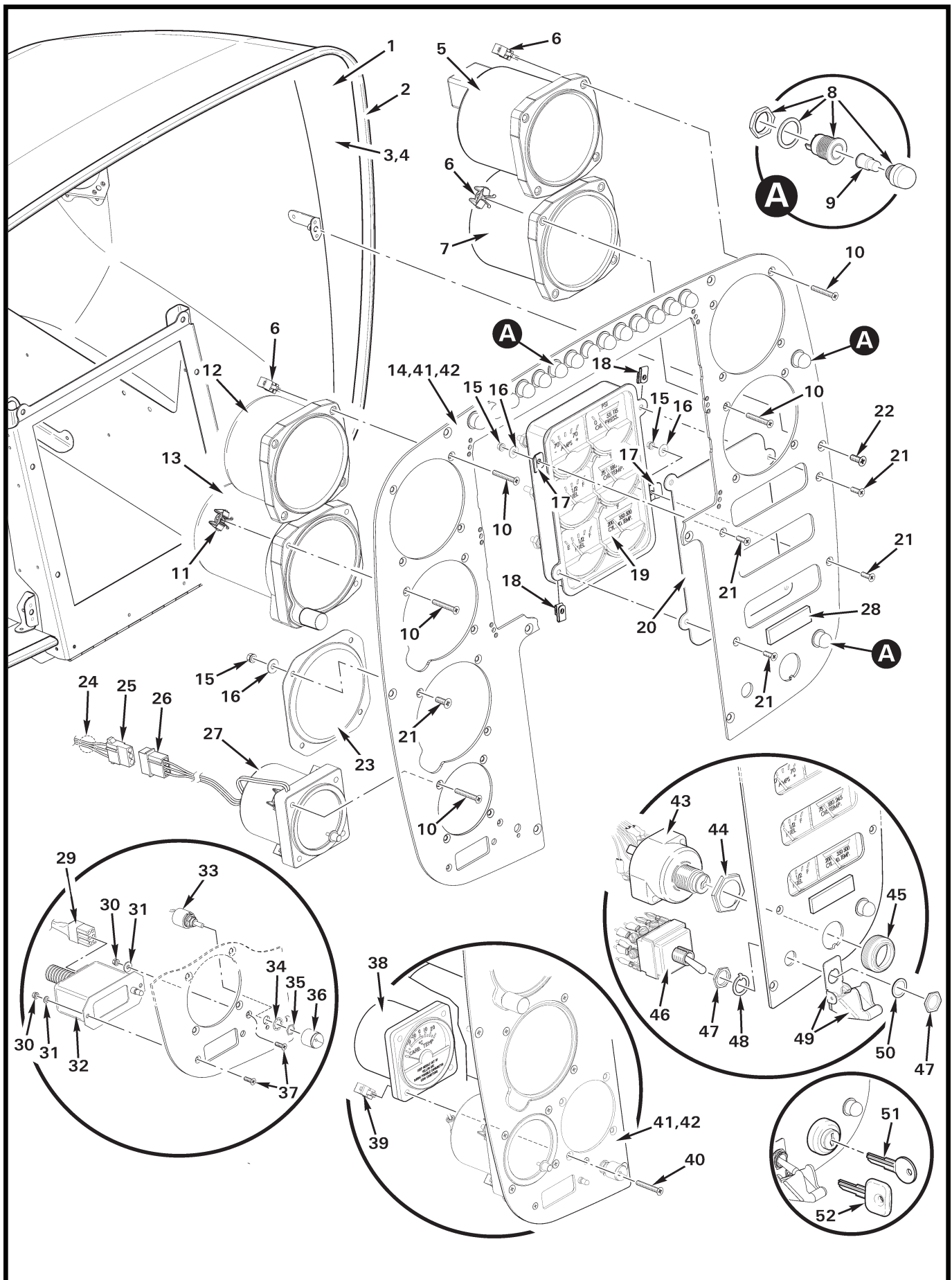


FIGURE AND INDEX NUMBER	PART NUMBER	DESCRIPTION	PARTS AVAIL	QTY PER ASSY
GARMIN G500H CONSOLE – INSTRUMENTS				
95-1-1	G061	Shell Assembly (Ref)		
2	A226-11	Trim	X	A/R
3	G061-4	Liner (install using item 4)	X	1
4	B270-8qt	Adhesive	X	A/R
5	C792-4	Dual Tachometer	X	1
6	MS33737-15C	Nut	X	12
7	A600-4*	Manifold Pressure Gage	X	1
	A600-6**	Manifold Pressure Gage	X	1
8	B198-1	Light – Caution (Amber; clutch actuator, main rotor temperature, main rotor chip, carbon monoxide, starter, tail rotor chip, low fuel, low rotor rpm, alternator, fuel filter***, aux fuel pump***, gov off, throttle, and brake. Order item 9 when replacing lamp.)	X	A/R
	B198-2	Light – Warning (Red; engine fire, oil pressure. Order item 9 when replacing lamp.)	X	2
9	B196-21	Lamp (28-volt)	X	16
	B196-1	Lamp (14-volt)	X	14
10	MS24693-S32	Screw	X	19
11	MS33737-13C	Nut	X	3
12	C599-1	Airspeed Indicator (130 knot V _{NE})	X	1
13	A613-1	Altimeter	X	1
14	G065-13	Face Assembly (R44 II, standard; not shown; GDU 620)	X	1
	G065-14	Face Assembly (R44 II, optional VSI installed; GDU 620)	X	1
	G065-16	Face Assembly (R44 II, standard; not shown; GDU 1060)	X	1
	G065-19	Face Assembly (R44 II, optional VSI installed; GDU 1060)	X	1
15	MS21042L06	Nut	X	6
16	NAS1149FN616P	Washer	X	6
17	B181-8	Retainer	X	2
18	B162-1	Clipnut	X	2
19	B144-4	Instrument Cluster (Incl items 18 and 20)	X	1
20	0003-00434	Window Crystal (clear plastic)	X	1
	0015-00723	Gasket (not shown)	X	1
21	MS24693-S27	Screw	X	A/R
22	MS24694-S4	Screw	X	8
23	B190-6	Cover	X	A/R

NOTES * Ship S/N 0001 thru 9999.
 ** Ship S/N 10001 and subsequent.
 *** If installed.

Continues

FIGURE AND INDEX NUMBER	PART NUMBER	DESCRIPTION	PARTS AVAIL	QTY PER ASSY
GARMIN G500H CONSOLE – INSTRUMENTS (Cont'd)				
95-1-24	G717-133	Wire (Ref)		
	G717-134	Wire (Ref)		
	G717-137	Wire (Ref)		
25	B263-15	Housing	X	1
	B263-2	Socket	X	3
26	B263-14	Housing	X	1
	B263-1	Pin	X	3
27	A072-13	Clock Assembly (Incl item 26)	X	1
28	A743-1	Call Letters Plate (please specify call letters)	X	1
	A701-7	Tape	X	A/R
29	B341-4	Probe Assembly (OAT)	X	1
30	MS21042L04	Nut	X	2
31	NAS1149FN432P	Washer	X	2
32	B341-1	Gage (OAT)	X	1
33	B398-1	Potentiometer (Ref)		
34	—	Lockwasher	O	1
35	—	Nut	O	1
36	MS91528-OC1B	Knob	X	1
37	MS24693-S4	Screw (install using B270-20 adhesive)	X	2
38	C604-8	Carb Air Temp Gage (Incl item 37)	X	1
39	MS33737-12C	Nut	X	4
40	MS24693-S32	Screw	X	4
41	G065-12	Face Assembly (R44, optional VSI installed; GDU 620)	X	1
	G065-11	Face Assembly (R44, standard; not shown, GDU 620)	X	1
42	G065-15	Face Assembly (R44, optional VSI installed; GDU 1060)	X	1
	G065-18	Face Assembly (R44, standard; not shown, GDU 1060)	X	1
43	A661-2	Switch – Ignition (Incl items 41, 42, and two keys)	X	1
44	—	Nut	O	1
45	—	Nut	O	1
46	MS25068-23	Switch – Clutch (Incl items 47, 48, and 50)	X	1
47	—	Nut	O	2
48	—	Keywasher	O	1
49	MS25224-1	Guard	X	1
50	—	Lockwasher	O	1

NOTES

Continues

FIGURE AND INDEX NUMBER	PART NUMBER	DESCRIPTION	PARTS AVAIL	QTY PER ASSY
GARMIN G500H CONSOLE – INSTRUMENTS (Cont'd)				
95-1-51	R8096	Key – Duplicate (Specify ship S/N and "PK" numbers when ordering.)	X	1
52	D768-2	Key (blank; black plastic-coated "R44" Logo)	X	1
NOTES				

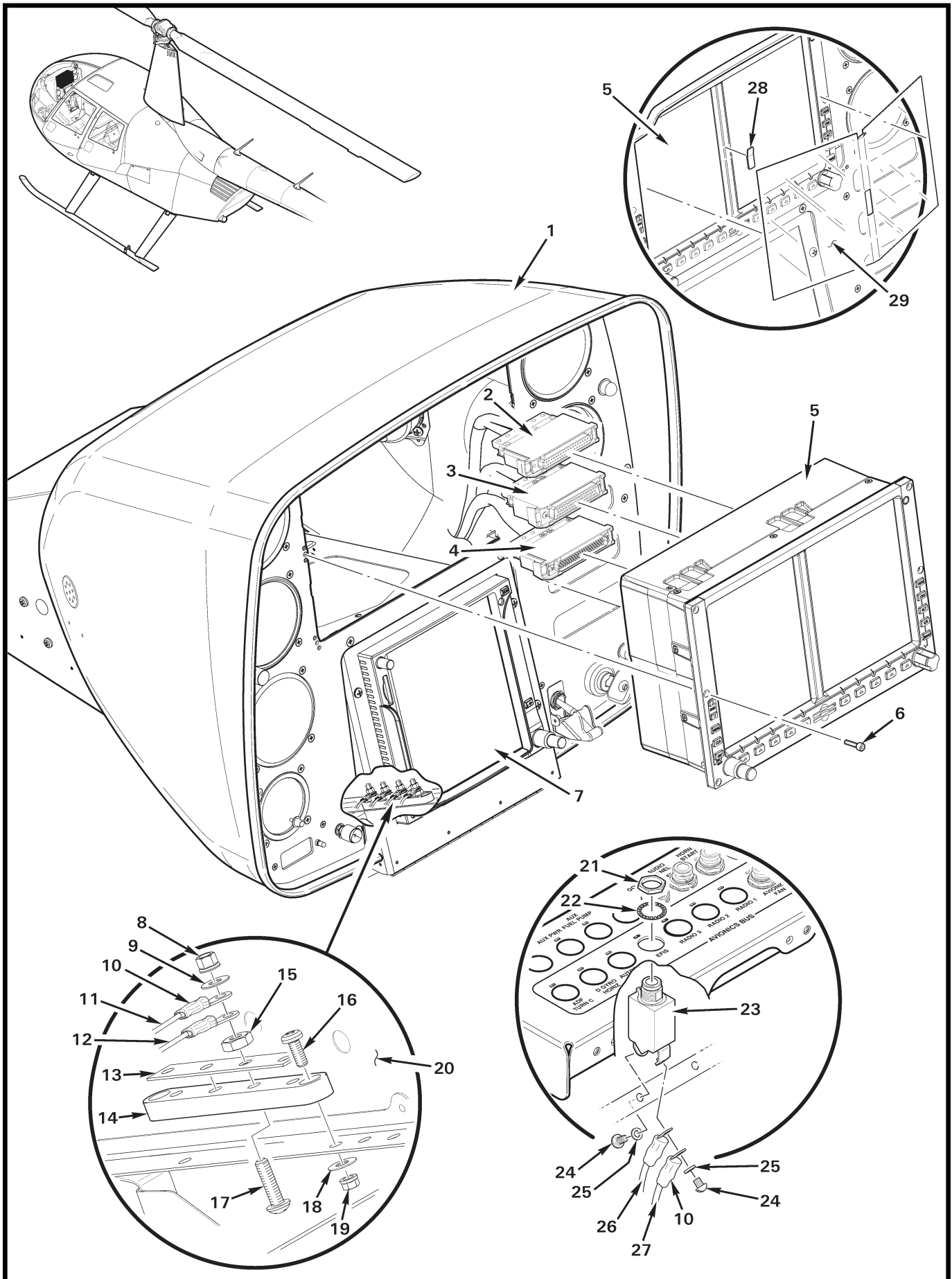


FIGURE AND INDEX NUMBER	PART NUMBER	DESCRIPTION	PARTS AVAIL	QTY PER ASSY
		GARMIN G500H CONSOLE – GDU 620 DISPLAY		
95-5-1	G060	Console Assembly (Ref)		
2	P6201	Connector (Ref)		
3	P6202	Connector (Ref)		
4	P6203	Connector (Ref)		
5	GDU 620*	Display (PFD and MFD; includes items 2 thru 4, and 6)	X	1
6	211-64307-14*	Screw (or NAS1352-06-10)	O	6
7	GTN 7XX*	GPS Navigator Display (Ref, or GTN 600-series display [not shown]. See Figure 97-1 for installation.)		
8	MS21042L08	Nut	X	A/R
9	NAS1149FN816P	Washer	X	A/R
10	B260-3	Terminal	X	A/R
11	F817-2564	Wire (Ref; ground, GDU 620 Display)		
12	F817-2589	Wire (Ref; ground, GSU 75 ADAHRS)		
13	A448-10	Bus Bar (4 holes)	X	1
14	C448-2	Block Assembly (Incl block and items 13, 15, and 17)	X	1
	C448-5	Block (4 holes)	X	1
15	B301-8	Nut	X	1
16	MS35206-228	Screw	X	2
17	B567-43	Screw	X	1
18	NAS1149FN616P	Washer	X	2
19	MS21042L06	Nut	X	2
20	F033-1	Lower Console Assembly (Ref)		
21	—	Nut	O	1
22	—	Washer	O	1
23	B297-5	Circuit Breaker (5 amp, includes items 21, 22, 24, and 25) . .	X	1
24	—	Screw	O	2
25	—	Washer	O	2
26	F817-2563	Wire (Ref; power, GDU 620 Display)		
27	F817-2695	Wire (Ref; ground, GSU 75 ADAHRS)		
28	D327-2	Retainer	X	1
29	D327-1	Shield – Glare (optional)	X	1

NOTES * Garmin part no.



FIGURE AND INDEX NUMBER	PART NUMBER	DESCRIPTION	PARTS AVAIL	QTY PER ASSY
GARMIN G500H CONSOLE – PITOT/STATIC TUBES				
95-7-1	G060	Console Assembly (Ref)		
2	A600-4	Manifold Pressure Gage (Ref)		
3	10-4-2-N-0	Fitting	X	3
4	A729-52	Tube	X	3
5	C599-1	Airspeed Indicator (Ref)		
6	A729-67	Tube	X	1
7	70-4-N-0	Tee	X	1
8	A729-70	Tube	X	A/R
9	A613-1	Altimeter (Ref)		
10	60-4-2-N-0	Tee	X	1
11	40-4-2-N-0	Elbow	X	1
12	A602	Rate-of-Climb Indicator (Ref)		
13	15-4-N-0	Union	X	3
14	A729-15	Tube (Ref)		
15	A729-6	Tube (Ref)		
16	A729-11	Tube (Ref)		
NOTES				

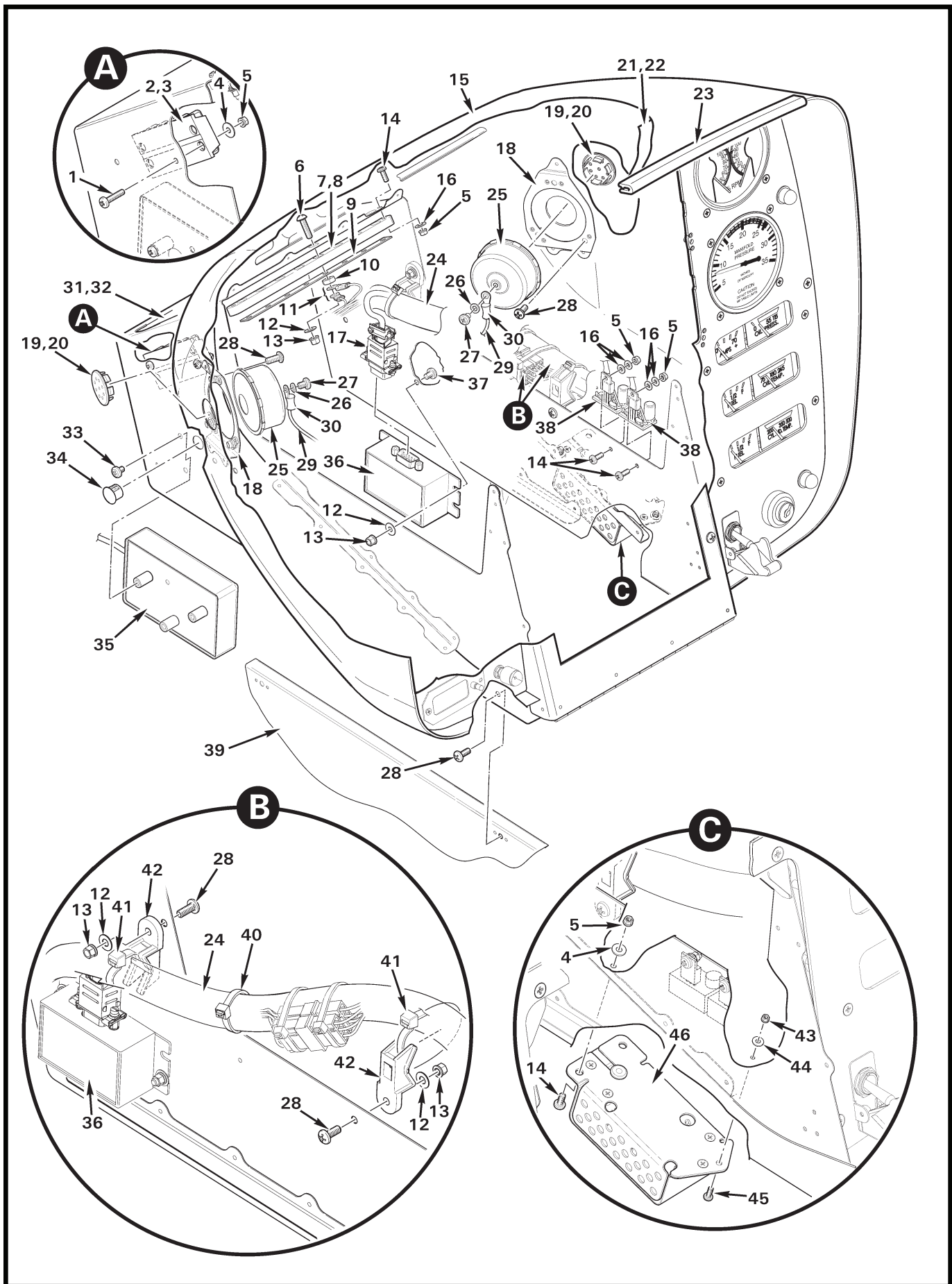


FIGURE AND INDEX NUMBER	PART NUMBER	DESCRIPTION	PARTS AVAIL	QTY PER ASSY
GARMIN G500H CONSOLE – COMPONENTS				
95-9-1	MS35206-231	Screw	X	2
2	38TB04F	Terminal Block (warning lights)	X	1
3	J601	Tab (not shown)	X	3
4	NAS1149FN616P	Washer	X	2
5	MS21042L06	Nut	X	4
6	B567-43	Screw (install using B270-9 adhesive)	X	8
7	C448-3	Block Assembly (Incl items 6, 8,9, and 10)	X	1
8	C448-6	Block (eight holes)	X	1
9	A448-14	Bus Bar (8 holes)	X	1
10	B301-8	Nut	X	8
11	B260-2	Terminal	X	18
12	NAS1149FN816P	Washer	X	9
13	MS21042L08	Nut	X	9
14	MS35206-228	Screw	X	6
15	G061-6	Shell Assembly (R44, Garmin GTN 6XX GPS installed. Includes items 18, 19 and 21 thru 23.)	X	1
	G061-9	Shell Assembly (R44 II, Garmin GTN 6XX GPS installed. Includes items 18, 19 and 21 thru 23.)	X	1
	G061-7	Shell Assembly (R44, [Dual] Garmin GTN 6XX GPS installed. Includes items 18, 19 and 21 thru 23.)	X	1
	G061-10	Shell Assembly (R44 II, [Dual] Garmin GTN 6XX GPS installed. Includes items 18, 19 and 21 thru 23.)		
	G061-8	Shell Assembly (R44, Garmin GTN 7XX GPS installed. Includes items 18, 19 and 21 thru 23.)	X	1
	G061-11	Shell Assembly (R44, Garmin GTN 7XX GPS installed. Includes items 18, 19 and 21 thru 23.)	X	1
16	NAS620-6	Washer	X	6
17	B269-4	Receptacle (Ref)		
	B269-21	Backshell (Ref)		
18	C479-1	Mount Assembly (Ref)		
19	9688K643	Hole Plug (install using item 20)	X	2
20	B270-18	Adhesive (or B270-8)	X	A/R
21	G061-4	Liner (vinyl, install using item 22)	X	1
22	B270-8qt	Adhesive	X	A/R
23	A226-11	Trim	X	A/R

NOTES

Continues

FIGURE AND INDEX NUMBER	PART NUMBER	DESCRIPTION	PARTS AVAIL	QTY PER ASSY
GARMIN G500H CONSOLE – COMPONENTS (Cont'd)				
95-9-24	D717-015	Wire Harness Assembly (R44, Ref; includes items 11, 17, 38 and 40)		
	G717-016	Wire Harness Assembly (R44 II, Ref; includes items 11, 17, 38 and 40)		
25	B320-3	Horn Assembly (includes items 26 thru 30, and 1-pin connector)	X	2
26	B332-42	Lockwasher	X	1
27	MS35206-241	Screw	X	1
28	MS27039C0806	Screw	X	11
29	B320-79	Wire (Ref)		
30	B260-3	Terminal	X	2
31	A226-3	Seal (install using item 27)	X	A/R
32	B270-13	Sealant	X	A/R
33	MS35206-241	Screw	X	6
34	2633	Hole Plug	X	1
35	A569-11	Low RPM Warning Unit (includes connector)	X	1
36	046L0210	Dimmer Assembly (includes connector)	X	1
37	MS27039C0805	Screw	X	2
38	D359-1	Regulator Assembly	X	2
39	C033	Lower Console Assembly (Ref)		
40	MS3367-5-0	Ty-Rap	X	A/R
41	MS3367-7-9	Ty-Rap	X	2
42	D268-2	Support	X	2
43	MS21042L04	Nut	X	1
44	NAS1149FN416P	Washer	X	1
45	MS35206-214	Screw	X	1
46	C696-1	CO Detector Assembly (includes connector)	X	1

NOTES

Intentionally Blank

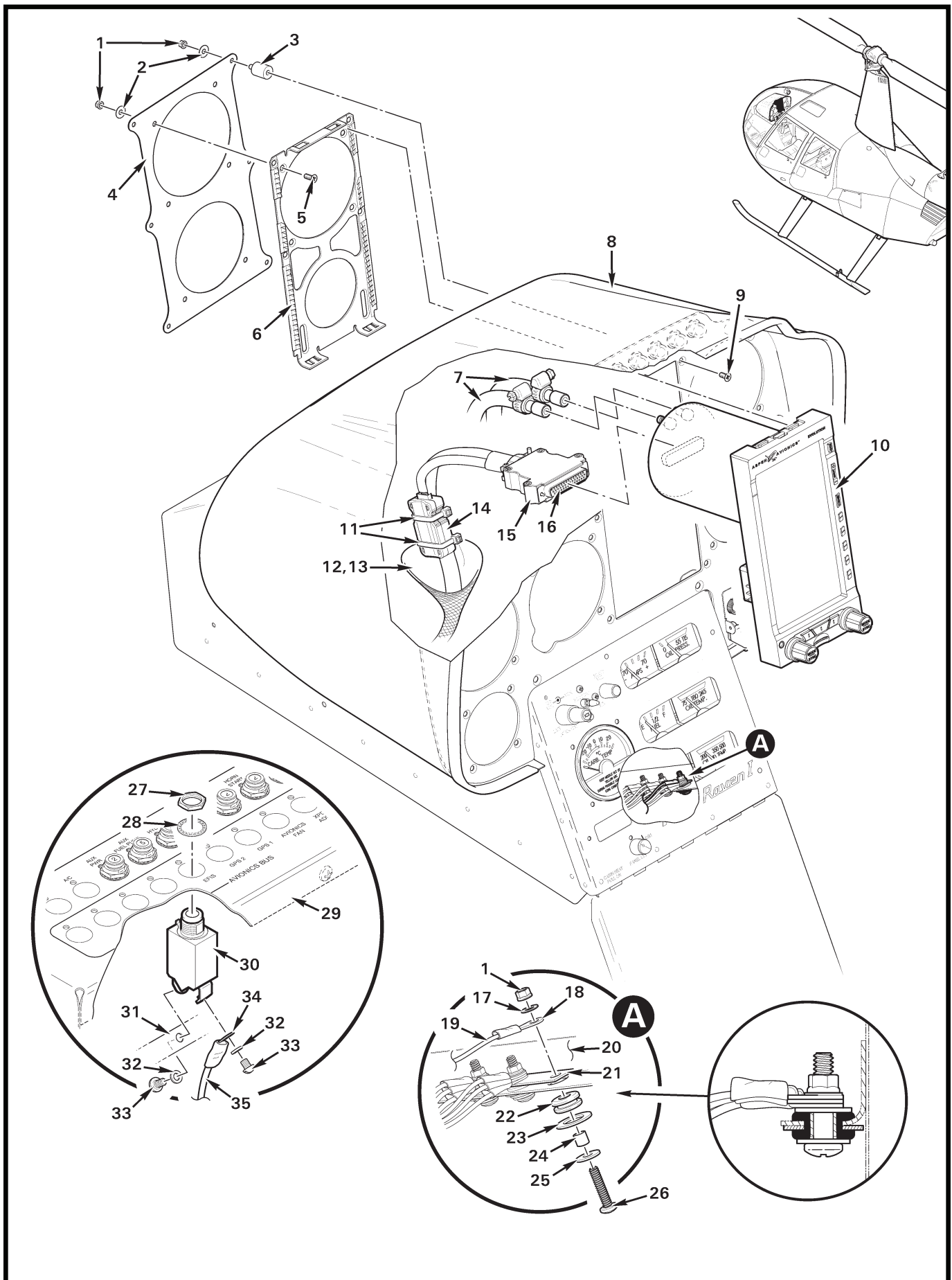


FIGURE AND INDEX NUMBER	PART NUMBER	DESCRIPTION	PARTS AVAIL	QTY PER ASSY
ASPEN PFD INSTALLATION				
95-13-1	MS21042L06	Nut	X	13
2	NAS1149FN616P	Washer	O	12
3	248-00002-001*	Isolator	X	6
4	C801-1	Panel	X	1
5	MS24693-S26	Screw	X	6
6	403-0003-001*	Bracket	O	1
7	A729-48	Tube (Ref, see Figure 95-69)		
8	G050	Console (Ref)		
9	MS24693-S24	Screw	X	6
10	EFD1000H*	PFD Display	O	1
11	MS3367-4-9	Ty-Rap	X	2
12	B247-607	Braid	X	A/R
13	7861K46	Heat Shrink	X	A/R
14	920-00004-117*	Module	O	1
15	116-00022-002*	Connector	O	1
16	116-00026-006*	Backshell	O	1
17	NAS620-6L	Washer	X	1
18	B260-3	Terminal	X	1
19	-2557	Wire (Ref)		
20	C033	Console Assembly – Lower (Ref)		
21	A448-15	Bus Bar (3-hole)	X	1
22	MS35489-4	Grommet	X	1
23	NAS1149F0532P	Washer (install in grommet groove; see detail showing parts assembled)	X	1
24	C130-59	Spacer (install in grommet bore; see detail showing parts assembled)	X	1
25	NAS1149FN632P	Washer	X	1
26	B567-28	Screw	X	1
27	—	Nut	O	1
28	—	Lockwasher	O	1
29	C490-12	Circuit Breaker Panel (Ref)		
30	B297-7	Circuit Breaker (7.5 amp; includes items 27, 28, 32, & 33) . . .	X	1
31	A448	Bus Bar (Ref)		
32	—	Washer	O	2
33	—	Screw	O	2
34	B260-2	Terminal	X	1
35	-2555	Wire (Ref)		

NOTES * Aspen Avionics part no.

FIGURE AND INDEX NUMBER	PART NUMBER	DESCRIPTION	PARTS AVAIL	QTY PER ASSY
ASPEN PFD AND MFD INSTALLATION*				
95-15-1	MS21042L06	Nut	X	19
2	NAS1149FN616P	Washer	X	18
3	248-00002-001**	Isolator	X	6
4	C801-3	Panel	X	1
5	403-0003-001**	Bracket	O	2
6	MS24693-S26	Screw	X	12
7	A729-48	Tube (Ref, see Figure 95-71)		
8	G050	Console Assembly (Ref)		
9	MS24693-S24	Screw	X	6
10	EFD1000H**	PFD Display	O	1
11	920-00004-117**	Module	O	1
12	920-00004-105**	Module	O	1
13	MS3367-4-9	Ty-Rap	X	4
14	B247-607	Braid	X	A/R
15	7861K46	Heat Shrink	X	A/R
16	116-00022-002**	Connector	O	2
17	116-00026-006**	Backshell	O	2
18	910-00001-102**	MFD Display	O	1
19	NAS620-6L	Washer	X	1
20	B260-3	Terminal	X	2
21	-2557	Wire (Ref)		
22	-2616	Wire (Ref)		
23	C033	Console Assembly – Lower (Ref)		
24	A448-15	Bus Bar (3-hole)	X	1
25	MS35489-4	Grommet	X	1
26	NAS1149F0532P	Washer (install in grommet groove***)	X	1
27	C130-59	Spacer (install in grommet bore***)	X	1
28	NAS1149FN632P	Washer	X	1
29	B567-28	Screw	X	1
30	—	Nut	O	1
31	—	Lockwasher	O	1
32	C490-12	Circuit Breaker Panel (Ref)		
33	B297-7	Circuit Breaker (7.5 amp; includes items 30, 31, 35, and 36) . .	X	1
34	A448	Bus Bar (Ref)		
35	—	Washer	O	2
36	—	Screw	O	2
37	B260-2	Terminal	X	1
38	-2555	Wire (Ref; spliced with wire -2615 for MFD)		

NOTES * Eight-instrument console assembly only.
 ** Aspen Avionics part no.
 *** See detail showing assembled parts.

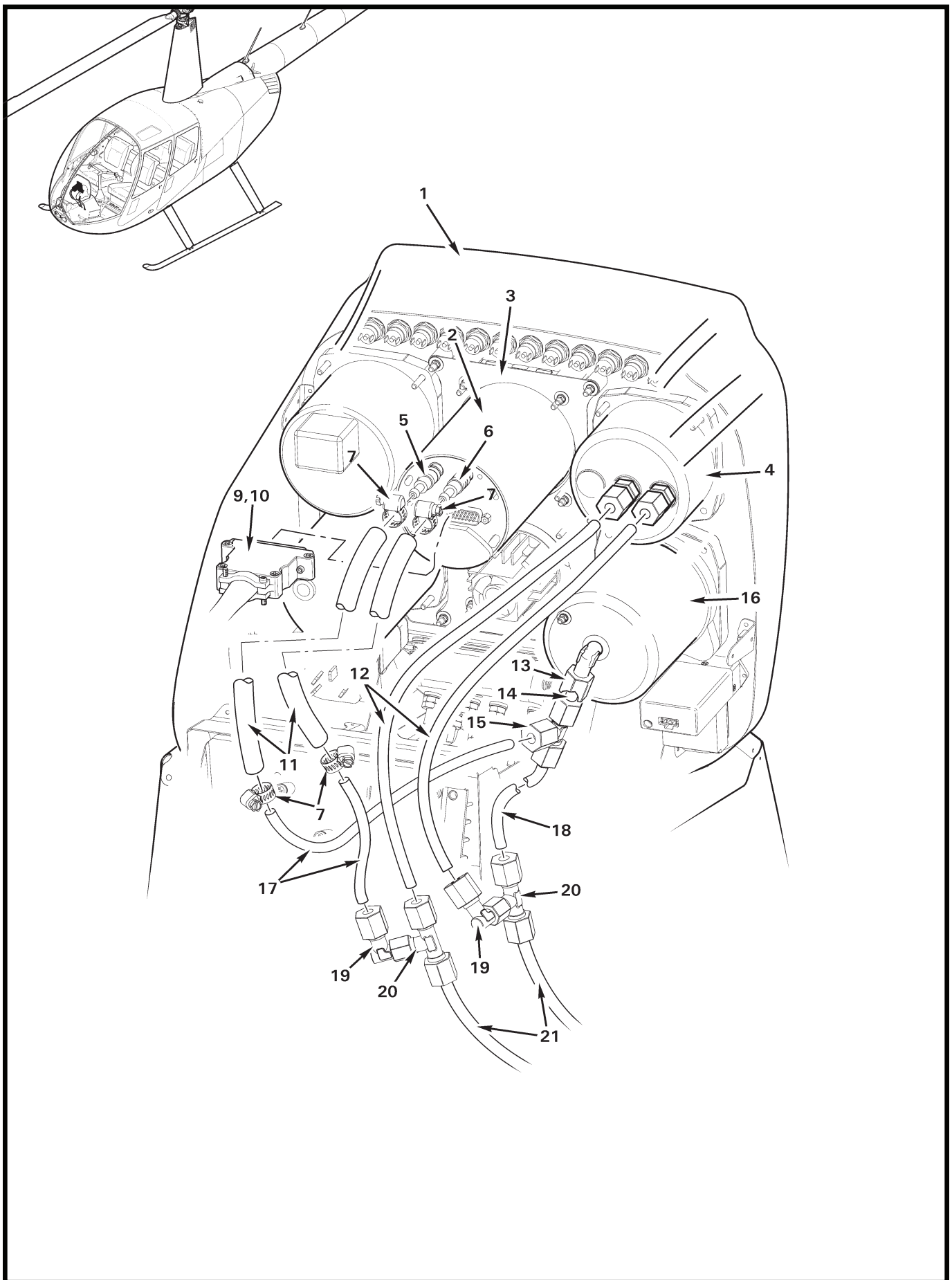


FIGURE AND INDEX NUMBER	PART NUMBER	DESCRIPTION	PARTS AVAIL	QTY PER ASSY
ASPEN PFD INSTALLATION – PITOT/STATIC LINES*				
95-17-1	G050-10	Console Assembly (Ref)		
2	EFD1000H**	PFD Display	O	1
3	C801-1	Plate (Ref)		
4	C599-2	Airspeed Indicator (Ref)		
5	275-00001-001**	Coupler (static)	O	1
6	275-00001-002**	Coupler (pitot)	O	1
7	271-00001-001	Clamp	X	4
8	10-4-2-N-0	Fitting	X	2
9	116-00022-002**	Connector (Ref, see Figure 95-63)		
10	116-00026-006**	Backshell (Ref, see Figure 95-63)		
11	A729-48	Tube	X	2
12	A729-23	Tube	X	2
13	40-4-2-N-0	Elbow	X	1
14	A729-27	Tube	X	1
15	70-4-N-0	Tee	X	1
16	A613	Altimeter (Ref)		
17	A729-52	Tube	X	2
18	A729-25	Tube	X	1
19	45-4-2-N-0	Elbow	X	2
20	60-4-2-N-0	Tee	X	2
21	A729-28	Tube (Ref)		

NOTES * Six-instrument console assembly.
 ** Aspen Avionics part no.

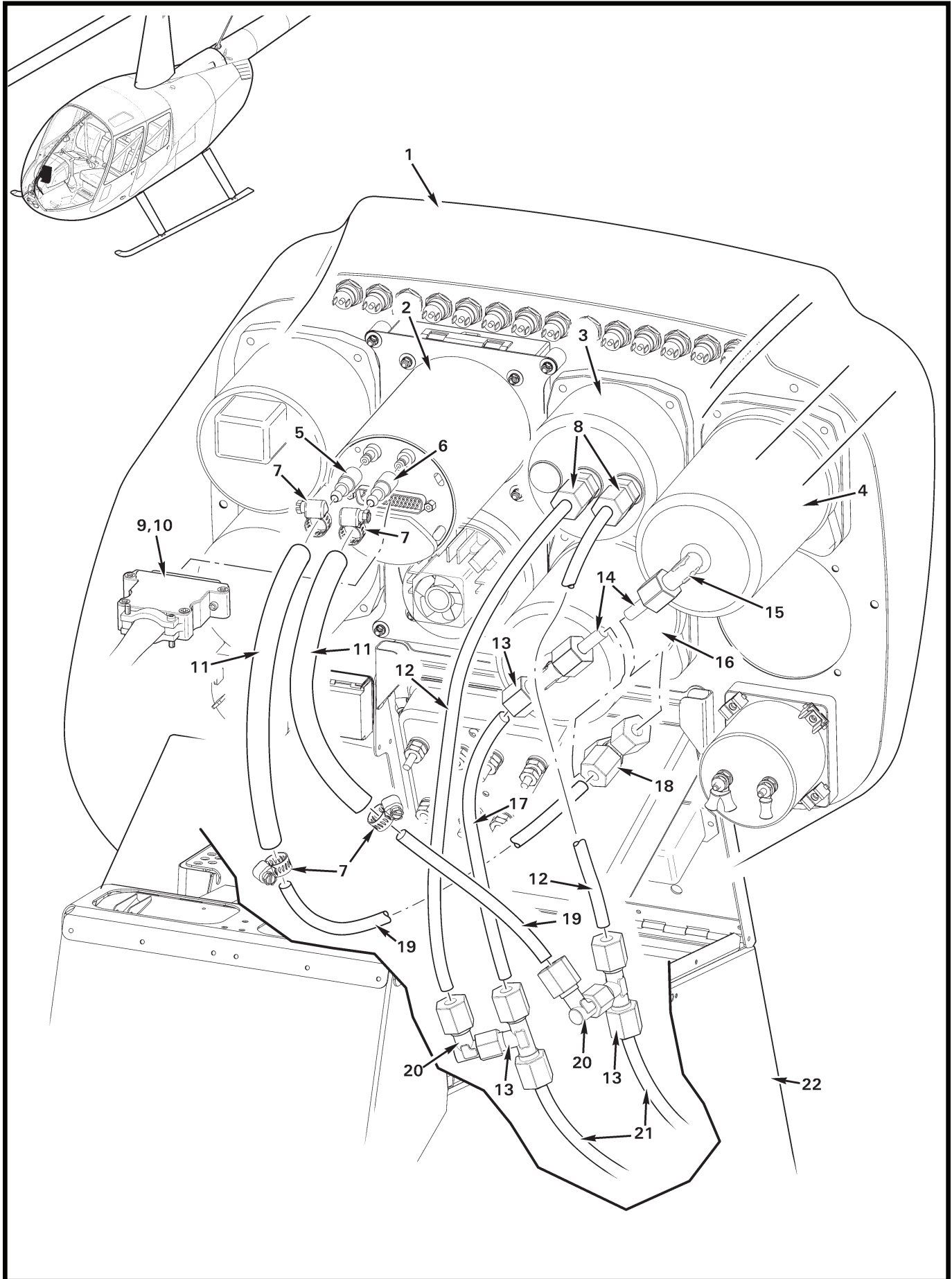


FIGURE AND INDEX NUMBER	PART NUMBER	DESCRIPTION	PARTS AVAIL	QTY PER ASSY
ASPEN PFD INSTALLATION – PITOT/STATIC LINES*				
95-19-1	G050-3	Console Assembly (Ref)		
2	EFD1000H**	PFD Display	O	1
3	C599-2	Airspeed Indicator (Ref)		
4	A602-1	Rate-of-Climb Indicator (Ref)		
5	275-00001-001**	Coupler (static)	O	1
6	275-00001-002**	Coupler (pitot)	O	1
7	271-00001-001**	Clamp	X	4
8	10-4-2-N-0	Fitting	X	2
9	116-00022-002**	Connector (Ref, see Figure 95-63)		
10	116-00026-006**	Backshell (Ref, see Figure 95-63)		
11	A729-48	Tube	X	2
12	A729-23	Tube	X	2
13	60-4-2-N-0	Tee	X	3
14	A729-27	Tube	X	2
15	40-4-2-N-0	Elbow	X	1
16	A613	Altimeter (Ref, see Figure 95-43)		
17	A729-25	Tube	X	1
18	70-4-N-0	Tee	X	1
19	A729-52	Tube	X	2
20	45-4-2-N-0	Elbow	X	2
21	A729-28	Tube (Ref)		
22	C033-1	Console Assembly (Ref)		

NOTES * Eight-instrument console assembly.
 ** Aspen Avionics part no.

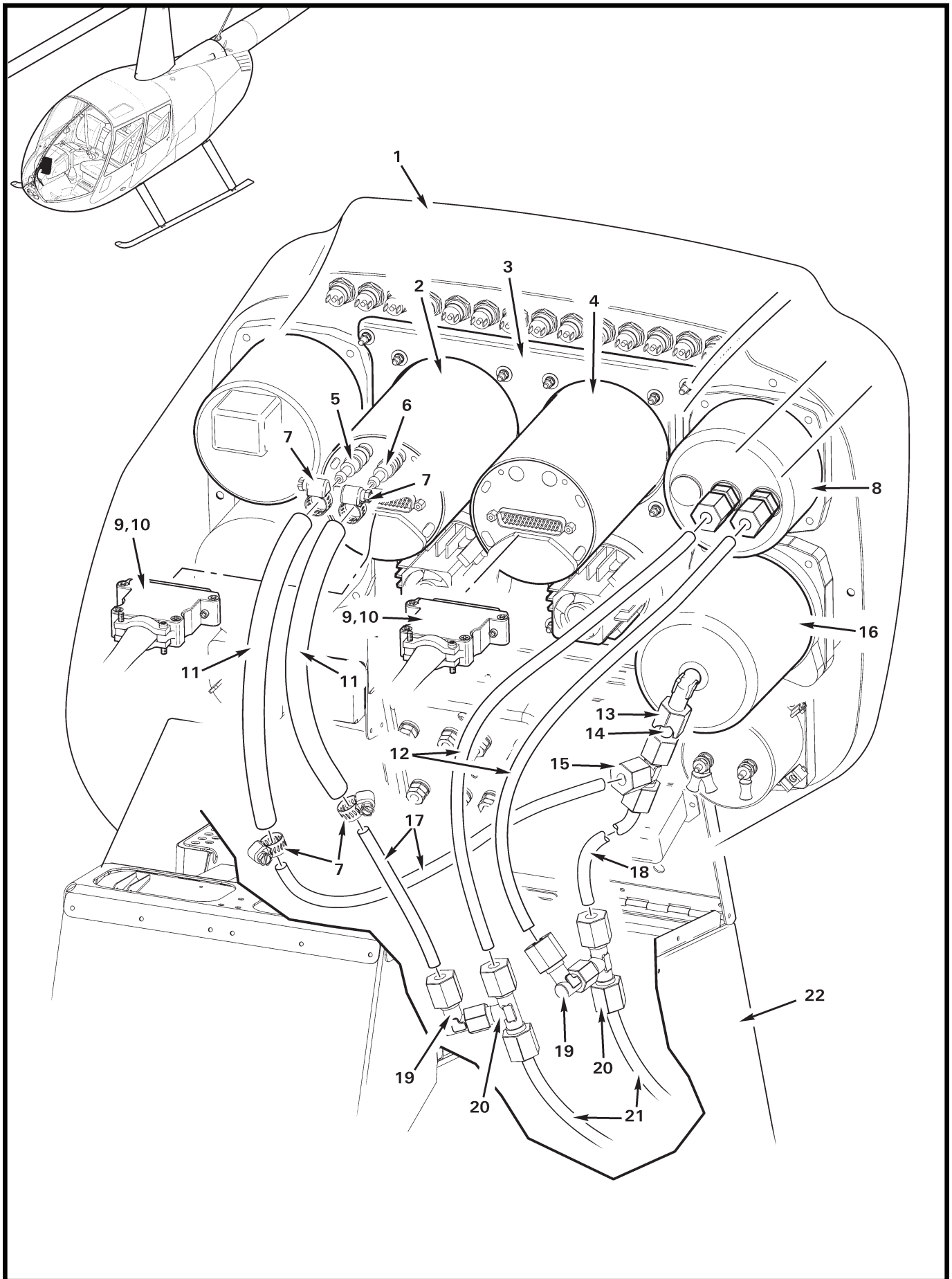


FIGURE AND INDEX NUMBER	PART NUMBER	DESCRIPTION	PARTS AVAIL	QTY PER ASSY
ASPEN PFD AND MFD INSTALLATION – PITOT/STATIC LINES*				
95-21-1	G050-3	Console Assembly (Ref)		
2	EFD1000H**	PFD Display	O	1
3	C801-2	Plate (Ref)		
4	EFD500H	MFD Display	O	1
5	275-00001-001**	Coupler (static)	O	1
6	275-00001-002**	Coupler (pitot)	O	1
7	271-00001-001**	Clamp	O	1
8	C599-2	Airspeed Indicator (Ref)		
9	116-00022-002**	Connector (Ref, see Figure 95-65)		
10	116-00026-006**	Backshell (Ref, see Figure 95-65)		
11	A729-48	Tube	X	2
12	A729-23	Tube	X	2
13	40-4-2-N-0	Elbow	X	1
14	A729-27	Tube	X	1
15	70-4-N-0	Tee	X	1
16	A613	Altimeter (Ref, see Figure 95-43)		
17	A729-52	Tube	X	1
18	A729-25	Tube	X	1
19	45-5-2-N-0	Elbow	X	2
20	60-4-2-N-0	Tee	X	2
21	A729-28	Tube (Ref)		
22	C033-1	Console Assembly (Ref)		

NOTES * Eight-instrument console assembly.
 ** Aspen Avionics part no.

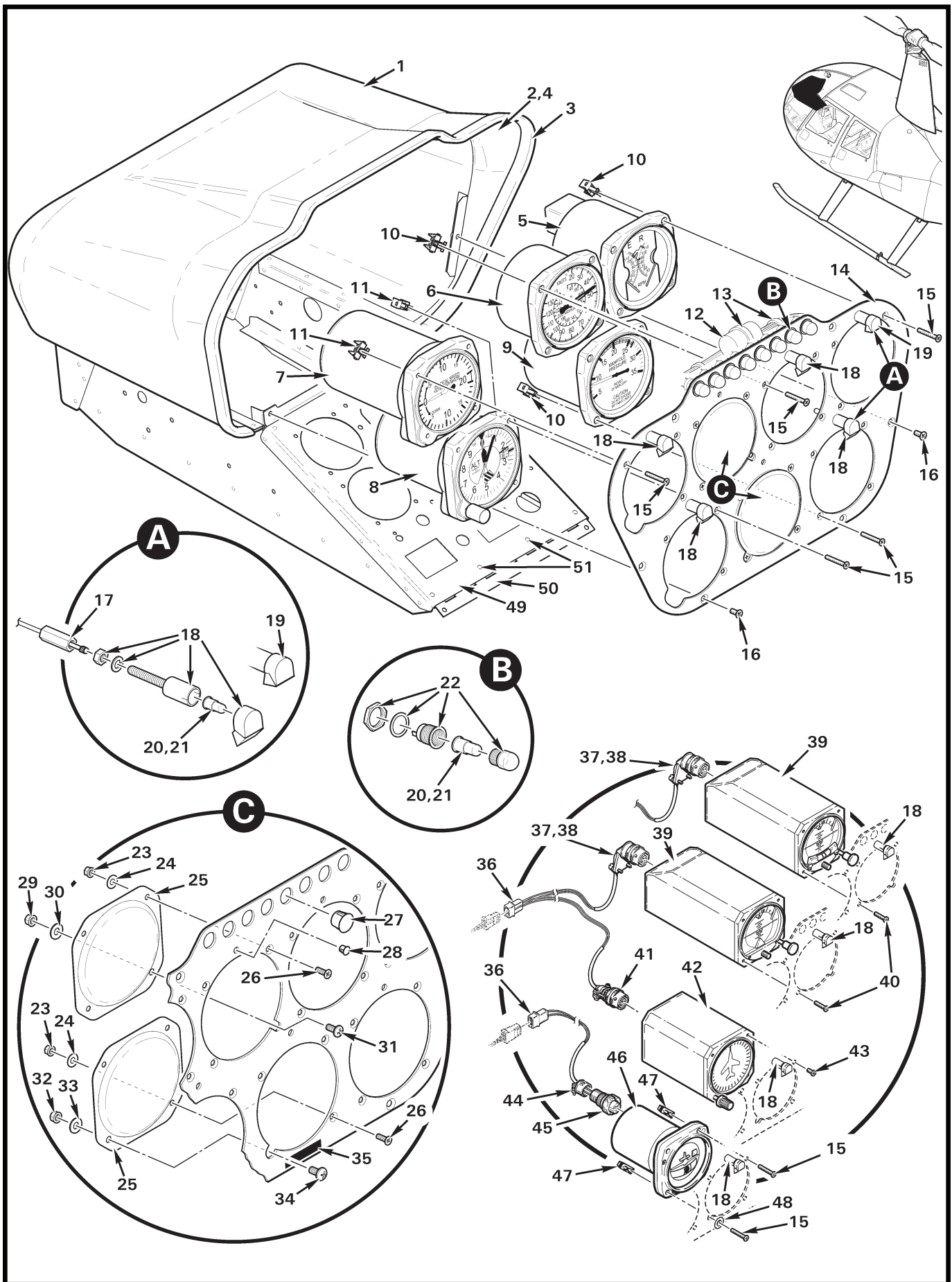


FIGURE AND INDEX NUMBER	PART NUMBER	DESCRIPTION	PARTS AVAIL	QTY PER ASSY
		SEVEN-INSTRUMENT CONSOLE ASSEMBLY		
95-23-1	B051-3*	Console Assembly (Incl items 2 thru 4, and 49 thru 51)	X	1
	B051-9**	Console Assembly (Incl items 2 thru 4, and 49 thru 51)	X	1
2	B051-4	Visor Liner (install using item 4)	X	1
3	A226-11	Trim	X	A/R
4	B270-8qt	Adhesive	X	A/R
5	C792-2*	Engine/Rotor Tachometer (Ref, no longer available. To replace, order C792-4.)		
	C792-4	Engine/Rotor Tachometer	X	1
	C792-4R	Engine/Rotor Tachometer (overhaul exchange)	X	1
6	C599-1	Airspeed Indicator	X	1
7	A602-1	Rate-of-Climb Indicator	X	1
8	A613-1	Altimeter (In.-Hg)	X	1
	A613-2	Altimeter (Millibar, optional)	X	1
	A613-4	Altimeter (Metric, optional)	X	1
9	A600-4*	Manifold Pressure Gage	X	1
	A600-6**	Manifold Pressure Gage	X	1
10	MS33737-15C	Nut – Instrument	X	12
11	MS33737-13C	Nut – Instrument	X	6
12	A655-1	Time Delay – Low Fuel Warning	X	1
13	MS3367-4-9	Ty-Rap	X	3
14	B197-1	Face	X	1
15	MS24693-S32	Screw	X	A/R
16	MS24694-S4	Screw	X	6
17	B195-9	Connector Nut	X	A/R
18	B195-10	Post Light (14-volt, includes item 20)	X	A/R
	B195-11	Post Light (28-volt, includes item 21)	X	A/R
19	B195-14	Post Light (14-volt, narrow beam, tach only; includes item 20)	X	1
	B195-15	Post Light (28-volt, narrow beam, tach only; includes item 21)	X	1
20	B196-1	Lamp (14-volt ships)	X	A/R
21	B196-21	Lamp (28-volt ships)	X	A/R
22	B198-1	Light – Warning (Yellow; clutch actuator, main rotor temperature, main rotor chip, carbon monoxide***, starter, tail rotor chip, low fuel, and low rotor rpm. Order item 20 or 21 when replacing lamp.)	X	8

NOTES * Ship S/N 0001 thru 9999.
 ** Ship S/N 10001 and subsequent.
 *** If installed.

Continues

FIGURE AND INDEX NUMBER	PART NUMBER	DESCRIPTION	PARTS AVAIL	QTY PER ASSY
SEVEN-INSTRUMENT CONSOLE ASSEMBLY (Cont'd)				
95-23-23	MS21042L06	Nut	X	A/R
24	NAS1149FN616P	Washer	X	A/R
25	B190-6	Cover	X	A/R
26	MS24693-S27	Screw	X	A/R
27	2633	Hole Plug (if equipped)	X	1
28	2590	Hole Plug	X	A/R
29	MS21042L08	Nut	X	A/R
30	NAS1149FN816P	Washer	X	A/R
31	MS27039C0806	Screw	X	A/R
32	MS21042L3	Nut	X	A/R
33	NAS1149F0332P	Washer	X	A/R
34	MS27039C1-06	Screw	X	A/R
35	A743-1	Call Letters Plate (please specify call letters)	X	A/R
36	B263-12	Housing	X	1
	B263-1	Pin	X	2
37	11141L08-03B	Strain Relief (for Castleberry Indicator only)	X	1
38	MS3116F8-4S	Connector	X	1
39	B823-10	Attitude Indicator (optional; supersedes B823-1 and B823-4)	X	1
	B823-12	Attitude Indicator with inclinometer (optional; supersedes B823-3 and B823-6)	X	1
40	MS24693-S30	Screw	X	3
41	—	Connector (optional; supplied with item 42)	O	1
42	B823-11	Directional Gyro (optional; supersedes B823-2 and B823-5)	X	1
43	MS24693-S26	Screw	X	3
44	MS3057-4A	Strain Relief	X	1
45	MS3106A-10SL-3S	Connector	X	1
46	B329-1	Turn Coordinator	X	1
47	MS33737-12C	Instrument Nut	X	4
48	A3135-017-24A	Washer (countersunk; alternate part no. A3135-017-935)	X	1
49	B051-7	Face Assembly (O-540)	X	1
	B051-11	Face Assembly (IO-540)	X	1
50	A356-2	Hinge	X	1
51	MS20426AD3	Rivet	X	4

NOTES

Intentionally Blank

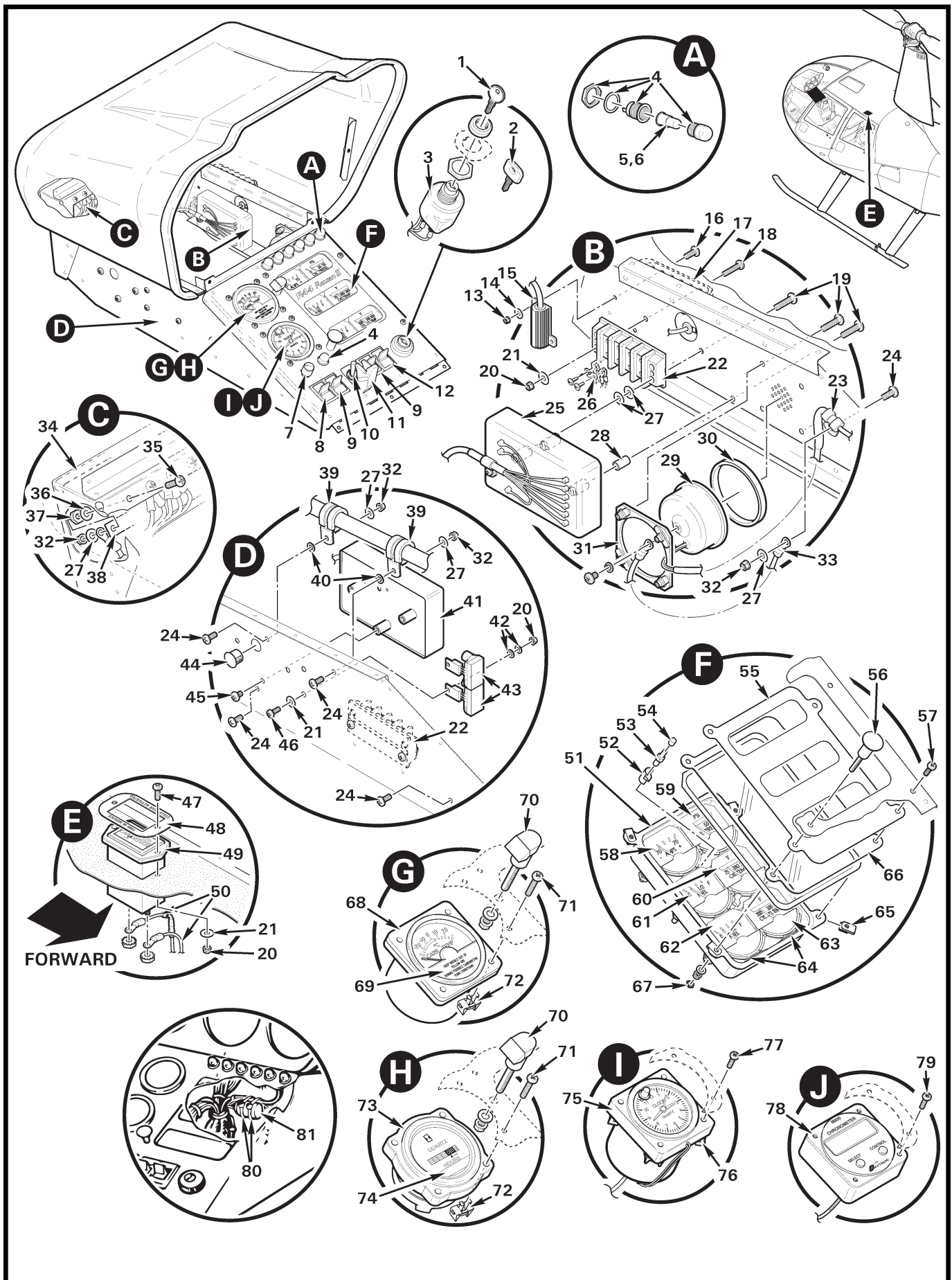


FIGURE AND INDEX NUMBER	PART NUMBER	DESCRIPTION	PARTS AVAIL	QTY PER ASSY
		SEVEN-INSTRUMENT CONSOLE ASSEMBLY		
95-27-1	R8096	Key – Duplicate (specify ship S/N and “PK” number when ordering)	X	1
2	D768-2	Key (blank; black plastic-coated, “R44” logo)	X	1
3	A661-1	Switch – Ignition (10-357200-1)	X	1
4	B198-1	Light – Warning (yellow; fuel filter, aux fuel pump, alternator, gov off, rotor brake; order with item 5 or 6 when replacing.) . .	X	1
	B198-2	Light – Warning (red; engine fire, oil pressure; order with item 5 or 6 when replacing.)	X	1
5	B196-1	Lamp (14-volt ships)	X	1
6	B196-21	Lamp (28-volt ships)	X	1
7	B398-1	Potentiometer	X	1
	MS91528-0C1B	Knob – Dimmer (supersedes 50-1WD-1G)	X	1
8	B184-3	Switch Assembly – Navigation Lights	X	1
9	B184-1	Switch Assembly – Alternator and Strobe	X	2
10	MS25068-23	Switch – Clutch	X	1
11	MS25224-1	Guard – Clutch Switch	X	1
12	B184-2	Switch Assembly – Battery	X	1
13	MS21042L04	Nut	X	2
14	NAS1149FN416P	Washer	X	2
15	RH25	Resistor (1.5Ω, 14 volt; earlier ships only)	X	1
16	MS35206-215	Screw	X	2
17	C696-1	Carbon Monoxide Detector (Ref, see Figure 96-59)		
18	MS35206-231	Screw	X	1
19	MS27039C0810	Screw	X	6
20	MS21042L06	Nut	X	5
21	NAS1149FN616P	Washer	X	5
22	601716-4	Terminal Block	X	2
23	MS21919WDG2	Clamp (14-volt ships)	X	1
	MS21919WDG4	Clamp (28-volt ships)	X	1
24	MS27039C0806	Screw	X	5
25	B395-1	Dimmer Assembly	X	1
26	601985-2	Jumper Tab (3 per terminal block)	X	6
27	NAS1149FN816P	Washer	X	13
28	A130-34	Spacer	X	2

NOTES

Continues

FIGURE AND INDEX NUMBER	PART NUMBER	DESCRIPTION	PARTS AVAIL	QTY PER ASSY
SEVEN-INSTRUMENT CONSOLE ASSEMBLY (Cont'd)				
95-27-29	B320-1	Horn – Low RPM Warning (14-volt ships)	X	1
	B320-3	Horn – Low RPM Warning (28-volt ships)	X	1
30	A479-2	Ring	X	1
31	A479-1	Plate	X	1
32	MS21042L08	Nut	X	11
33	B320-79	Wire – Jumper	O	1
34	A226-3	Seal (install using B270-4 or -13 adhesive)	X	A/R
35	B567-43	Screw	X	8
36	NAS1149DN832H	Washer	X	8
37	B301-8	Nut	X	8
38	A448-14	Bus Bar (8-hole)	X	1
39	MS21919WDG8	Clamp	X	2
40	NAS620-8	Washer	X	2
41	A569-6	Warning Unit – Low RPM (14-volt ships)	X	1
	A569-6R	A569-6 Warning Unit – Low RPM (overhaul exchange)	X	1
	A569-9	Warning Unit – Low RPM (28-volt ships)	X	1
	A569-9R	A569-9 Warning Unit – Low RPM (overhaul exchange)	X	1
42	NAS629-6	Washer	X	4
43	D359-1	Regulator – Voltage (28-volt ships only)	X	2
44	2633	Hole Plug	X	1
45	MS35206-241	Screw	X	3
46	MS35206-228	Screw	X	2
47	MS35206-229	Screw	X	2
48	B417-2	Faceplate	X	1
49	D830-2	Hourmeter (includes locknuts)	X	1
50	C059	Harness Assembly (Ref; wires -750, and -42)		
51	B144-3	Instrument Cluster (14-volt ships, includes items 52 thru 55, 58 thru 66, and 0015-00723 gasket)	X	1
	B144-4	Instrument Cluster (28-volt ships, includes items 52 thru 55, 58 thru 66, and 0015-00723 gasket)	X	1
52	A700-1	Barrier	X	2
53	100057017	Lamp (14-volt, gray base)	X	2
	100057022	Lamp (28-volt, red base)	X	2

NOTES

Continues

FIGURE AND INDEX NUMBER	PART NUMBER	DESCRIPTION	PARTS AVAIL	QTY PER ASSY
		SEVEN-INSTRUMENT CONSOLE ASSEMBLY (Cont'd)		
95-27-54	17P47	Cap (white)	X	2
55	D193-1	Plate – "R44 Astro" (7 or 9 hole panel)	X	1
	D193-2	Plate – "R44 Astro" (10 hole panel)	X	1
	D193-3	Plate – "R44 Cliper I" (7 or 9 hole panel)	X	1
	D193-4	Plate – "R44 Cliper I" (10 hole panel)	X	1
	D193-5	Plate – "R44 Raven I" (7 or 9 hole panel)	X	1
	D193-6	Plate – "R44 Raven I" (10 hole panel)	X	1
	D193-7*	Plate – "R44 Cliper II" (7 or 9 hole panel)	X	1
	D193-8*	Plate – "R44 Cliper II" (10 hole panel)	X	1
	D193-9*	Plate – "R44 Raven II" (7 or 9 hole panel)	X	1
	D193-10*	Plate – "R44 Raven II" (10 hole panel)	X	1
	D193-11*	Plate – "R44 Cliper I" (7 or 9 hole panel, bladder)	X	1
	D193-12*	Plate – "R44 Cliper I" (10 hole panel, bladder)	X	1
	D193-13*	Plate – "R44 Cliper II" (7 or 9 hole panel, bladder)	X	1
	D193-14*	Plate – "R44 Cliper II" (10 hole panel, bladder)	X	1
	D193-15*	Plate – "R44 Raven I" (7 or 9 hole panel, bladder)	X	1
	D193-16*	Plate – "R44 Raven I" (10 hole panel, bladder)	X	1
	D193-17*	Plate – "R44 Raven II" (7 or 9 hole panel, bladder)	X	1
	D193-18*	Plate – "R44 Raven II" (10 hole panel, bladder)	X	1
	D193-19*	Plate – "R44 Astro" (7 or 9 hole panel, bladder)	X	1
	D193-20*	Plate – "R44 Astro" (10 hole panel, bladder)	X	1
56	B195-17	Post Light – Switch Panel (14-volt ships, includes item 5) . . .	X	1
	B195-18	Post Light – Switch Panel (28-volt ships, includes item 6) . . .	X	1
57	MS35206-230	Screw	X	3
58	6246-00468	Ammeter	X	1
59	6246-00647	Oil Pressure Meter (14-volt ships)	X	1
	6246-00715	Oil Pressure Meter (28-volt ships)	X	1
60	6246-00090	Oil Temperature Meter (14-volt ships)	X	1
	6246-00717	Oil Temperature Meter (28-volt ships)	X	1
61	6246-00473	Fuel Quantity Meter (main tank, 14-volt ships)	X	1
	6246-00716	Fuel Quantity Meter (main tank, 28-volt ships)	X	1
62	6246-00473	Fuel Quantity Meter (aux tank, 14-volt ships)	X	1
	6246-00716	Fuel Quantity Meter (aux tank, 28-volt ships)	X	1
63	6246-00088	Cylinder Head Temp Meter (14-volt ships)	X	1
	6246-00718	Cylinder Head Temp Meter (28-volt ships)	X	1

NOTES * Ship S/N 10001 and subsequent.

Continues

FIGURE AND INDEX NUMBER	PART NUMBER	DESCRIPTION	PARTS AVAIL	QTY PER ASSY
SEVEN-INSTRUMENT CONSOLE ASSEMBLY (Cont'd)				
95-27-64	—	Desiccant Bag	O	2
65	B162-1	Clipnut	X	3
66	0003-00434	Crystal (clear plastic)	X	1
67	B330-6	Palnut	X	1
68	C604-6	Gage – Carb Air Temp (14-volt ships, includes item 69 and connector)	X	1
	C604-8	Gage – Carb Air Temp (28-volt ships, includes item 69 and connector)	X	1
69	—	Placard (carb heat instructions)	X	1
70	B195-10	Post Light Assembly (14-volt ships, includes item 5)	X	1
	B195-11	Post Light Assembly (28-volt ships, includes item 6)	X	1
71	MS35206-232	Screw	X	1
72	MS33737-12C	Nut – Instrument	X	4
73	D830-1	Hourmeter	X	1
74	B387-3	Decal – “Collective Activated”	X	1
75	A072-7	Clock Assembly (14-volt; bottom LTS; includes item 76 and light tray assembly; not shown)	X	1
	A072-8	Clock Assembly (28-volt; bottom LTS; includes item 76 and light tray assembly)	X	1
	A072-12	Clock Assembly (14-volt; top LTS; includes item 76 and light tray assembly; not shown)	X	1
	A072-13	Clock Assembly (28-volt; top LTS; includes item 76 and light tray assembly; not shown)	X	1
76	6-32	Nut – Instrument	O	4
77	MS35206-234	Screw	X	4
78	A064-3	Chronometer Assembly (14-volt; Davtron 800)	X	1
	A064-4	Chronometer Assembly (28-volt; Davtron 800)	X	1
79	—	Screw (supplied with item 78)	O	4
80	MS3367-5-9	Ty-Rap	X	2
81	B280-4	Relay – Governor “OFF” Warning (location for earlier ships only)	X	1

NOTES

Intentionally Blank

FIGURE AND INDEX NUMBER	PART NUMBER	DESCRIPTION	PARTS AVAIL	QTY PER ASSY
NINE-INSTRUMENT CONSOLE ASSEMBLY				
95-33-1	B051-10*	Console Assembly (Incl items 2 thru 7, 12, and lower panels; IO-540 ships)	X	1
	B051-6*	Console Assembly (Incl items 2 thru 7, 12, and lower panels); O-540 ships [not shown]	X	1
2	A226-11	Trim	X	A/R
3	B181-2	Angle	X	2
4	B181-3	Angle	X	2
5	B051-8	Liner (vinyl)	X	1
6	B270-8qt	Adhesive (to attach items 2 and 10; 8-oz can)	X	A/R
7	A365-11	Angle	X	2
8	B206-1	Face	X	1
9	2633	Hole Plug	X	A/R
10	MS24694-S4	Screw	X	6
11	2590	Hole Plug (if no post light installed)	X	A/R
12	A356-2	Hinge	X	1
13	MS21042L06	Nut	X	A/R
14	NAS1149FN616P	Washer	X	A/R
15	B190-6	Cover	X	A/R
16	MS21042L08	Nut	X	A/R
17	NAS1149FN816P	Washer	X	A/R
18	MS24693-S27	Screw	X	A/R
19	MS27039C0806	Screw	X	A/R
20	MS27039C1-06	Screw	X	A/R
21	MS21042L3	Nut	X	A/R
22	NAS1149F0332P	Washer	X	A/R
23	B206-3	Face (used when HSI is installed)	X	1

NOTES * For instrument and other component installation, see Figure 95-1 and Figure 95-5.

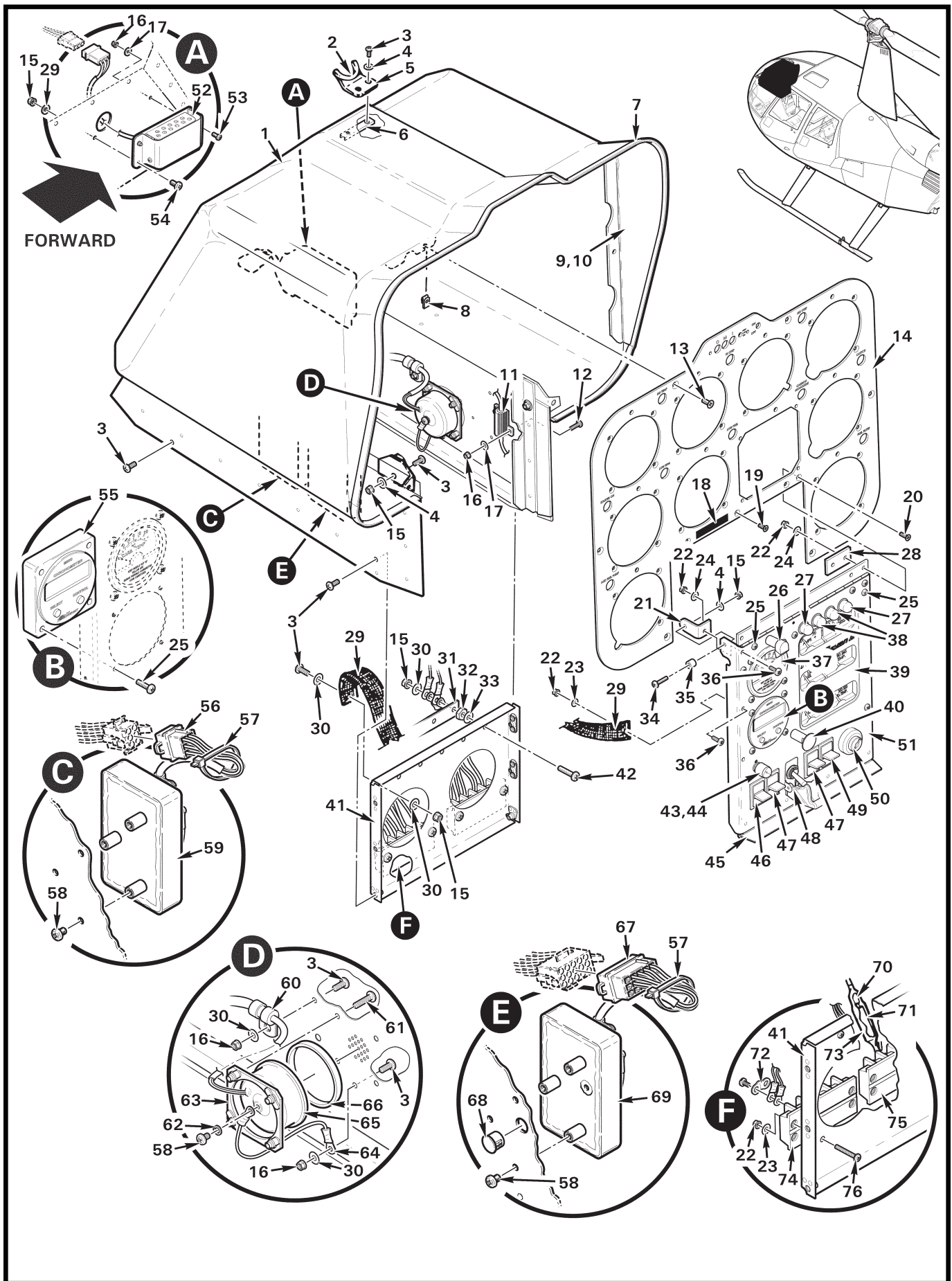


FIGURE AND INDEX NUMBER	PART NUMBER	DESCRIPTION	PARTS AVAIL	QTY PER ASSY
		TEN-INSTRUMENT CONSOLE ASSEMBLY (IFR TRAINER)		
95-35-1	A077-3	Shell Assembly (Incl items 3, 4, 7, 9, 15, and 41)	X	1
2	MS35489-16	Grommet	X	1
3	MS27039C0806	Screw	X	16
4	NAS1149FN832P	Washer	X	4
5	B255-3	Console Support Assembly (Incl item 2)	X	1
6	A738-21	Gang Channel	X	1
7	A226-11	Trim	X	A/R
8	B162-2	Clipnut	X	6
9	A077-2	Liner (install using item 10)	X	1
10	B270-8qt	Adhesive	X	A/R
11	RH25	Resistor (1.5 Ω, 14-volt ships)	X	1
	D359-1	Regulator Assembly (28-volt ships; not shown)	X	1
12	MS35206-215	Screw	X	2
13	MS24694-S3	Screw (see Figure 95-19 for instruments and post lights)	X	6
14	A981-1	Face	X	1
15	MS21042L08	Nut	X	13
16	MS21042L04	Nut	X	2
17	NAS1149FN416P	Washer	X	2
18	A743-1	Call Letters Plate (domestic ships only; please specify call letters)	X	1
19	MS24693-S26	Screw (center)	X	1
20	MS24693-S27	Screw (outboard)	X	4
21	A963-1	Angle	X	2
22	MS21042L06	Nut	X	17
23	NAS1149FN616P	Washer	X	6
24	NAS1149FN632P	Washer	X	11
25	MS35206-228	Screw	X	5
26	B195-10	Post Light (14-volt ships; includes item 77)	X	1
	B195-11	Post Light (28-volt ships; includes item 77)	X	1
27	B198-1*	Warning Light (yellow; low voltage and governor off)	X	2
28	A988-1	Doubler	X	2
29	A989-1	Strap	X	2
30	NAS1149FN816P	Washer	X	13

NOTES * Order item 77 when replacing.

Continues

FIGURE AND INDEX NUMBER	PART NUMBER	DESCRIPTION	PARTS AVAIL	QTY PER ASSY
		TEN-INSTRUMENT CONSOLE ASSEMBLY (IFR TRAINER) (Cont'd)		
95-35-31	A448-8	Bus Bar	X	1
32	AN340B8	Nut	X	5
33	NAS1149DN832H	Washer	X	5
34	MS27039C0808	Screw	X	2
	MS24694-23	Screw (if DME installed)	X	1
35	A130-37	Spacer	X	2
	B220-1	Spacer (if DME installed)	X	2
36	MS35206-229	Screw	X	4
37	C604-6	Carb Air Temp Gage (includes Connector)	X	1
38	B198-2*	Warning Light (red; oil pressure and engine fire)	X	1
39	B144-3	Instrument Cluster Assembly (14-volt ships; see also Figure 95-1)	X	1
	B144-4	Instrument Cluster Assembly (28-volt ships; see also Figure 95-1)	X	1
	D193-2	Plate – "R44 Astro"	X	1
	D193-4	Plate – "R44 Clipper"	X	1
	D193-6	Plate – "R44 Raven"	X	1
	D193-8	Plate – "R44 Clipper II"	X	1
	D193-10	Plate – "R44 Raven II"	X	1
	0003-00434	Crystal (clear plastic)	X	1
40	B195-1	Post Light – Switch Panel (14-volt ships; replace lamp with item 77)	X	1
	B195-18	Post Light – Switch Panel (14-volt ships; replace lamp with item 77)	X	1
41	A974-1	Web Assembly	X	1
42	MS35206-247	Screw	X	5
43	MS91528-OC1B	Knob – Dimmer (supersedes 50-1WD-1G)	X	1
44	B398-1	Potentiometer	X	1
45	A033-12	Hinge	X	1
46	B184-3	Switch Assembly – NAV Lights	X	1
47	B184-1	Switch Assembly – Alternator and Strobe Light	X	2
48	MS25068-23	Switch – Clutch (7664K5)	X	1
	MS25224-1	Guard (red plastic)	X	1
49	B184-2	Switch – Battery	X	1

NOTES * Order item 77 when replacing.

Continues

FIGURE AND INDEX NUMBER	PART NUMBER	DESCRIPTION	PARTS AVAIL	QTY PER ASSY
		TEN-INSTRUMENT CONSOLE ASSEMBLY (IFR TRAINER) (Cont'd)		
95-35-50	A661-1	Switch – Ignition (see also Figure 95-1)	X	1
51	A980-4	Face Assembly (Ref)		
52	C696-1	Carbon Monoxide Detector Assembly (includes wires, housing, and pins)	X	1
53	MS35206-214	Screw	X	1
54	MS35206-232	Screw	X	1
55	A064-3*	Chronometer (14-volt ships; see also Figure 95-5)	X	1
	A064-4*	Chronometer (28-volt ships; see also Figure 95-5)	X	1
56	B263-18	Housing	X	1
	B263-1	Pin	X	6
57	MS3367-5-9	Ty-Rap	X	2
58	MS35206-241	Screw	X	7
59	B395-1	Dimmer Assembly (includes item 56)	X	1
60	MS21919WDG2	Clamp	X	1
61	MS27039C0810	Screw	X	4
62	B332-42	Lockwasher	X	1
63	A479-1	Plate	X	1
64	B320-79	Wire – Jumper	X	1
65	B320-1	Horn Assembly – Low RPM Warning (14-volt ships)	X	1
	B320-1	Horn Assembly – Low RPM Warning (28-volt ships)	X	1
66	A479-2	Ring	X	1
67	B263-22	Housing (14-volt ships)	X	1
	B263-1	Pin	X	11
	B263-24	Housing (28-volt ships)	X	1
	B263-1	Pin	X	11
68	2633	Hole Plug	X	1
69	A569-6	Low RPM Warning Unit (14-volt ships; includes item 67)	X	1
	A569-9	Low RPM Warning Unit (28-volt ships; includes item 67)	X	1
70	B261-2	Splice	X	1
71	R5277	Resistor (20Ω, 14-volt ships only)	X	1
72	601985-2	Jumper Tab	X	6
73	B158-6	Heat Shrink	X	A/R

NOTES * Chronometer (digital) standard on IFR Trainer, optional on Ten-Instrument panel. For Clock Assembly (analog) Installation, see Figure 95-5.

Continues

FIGURE AND INDEX NUMBER	PART NUMBER	DESCRIPTION	PARTS AVAIL	QTY PER ASSY
TEN-INSTRUMENT CONSOLE ASSEMBLY (IFR TRAINER) (Cont'd)				
95-35-74	601716-4	Terminal Block (warning lights; includes item 72)	X	1
75	601716-4	Terminal Block (instrument lights; includes item 72)	X	1
76	MS35206-231	Screw (two for each terminal block)	X	4
77	B196-1	Lamp (14-volt; not shown)	X	5
	B196-21	Lamp (28-volt; not shown)	X	5
NOTES				

Intentionally Blank

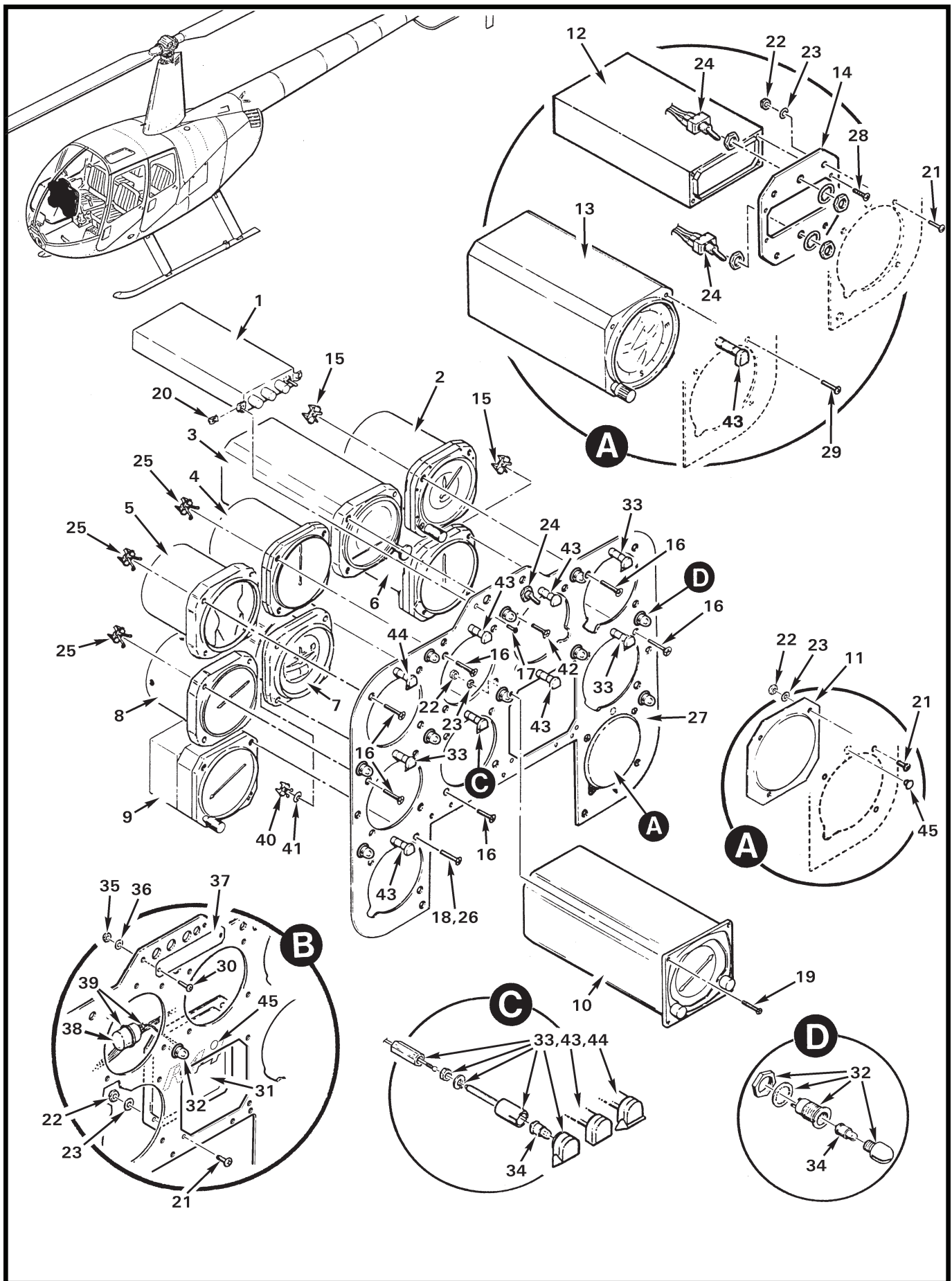


FIGURE AND INDEX NUMBER	PART NUMBER	DESCRIPTION	PARTS AVAIL	QTY PER ASSY
		TEN-INSTRUMENT CONSOLE ASSEMBLY (IFR TRAINER)		
95-41-1	KR 22	Marker Beacon (Bendix/King includes items 17 and 20)	O	1
2	KEA 129	Altimeter (encoding, Bendix/King)	O	1
3	B191-3	Attitude Gyro (14-volt, optional)	O	1
	B191-7	Attitude Gyro (14-volt, optional, with inclinometer)	O	1
	B191-8	Attitude Gyro (28-volt, optional)	O	1
	B191-12	Attitude Gyro (28-volt; optional, with inclinometer)	O	1
4	C599-1	Airspeed Indicator	X	1
5	C792-2*	Engine/Rotor Tachometer (Ref, no longer available. To replace, order C792-4.)		
	C792-4	Engine/Rotor Tachometer	X	1
	C792-4R	C792-4 Engine/Rotor Tachometer (overhaul exchange)	X	1
6	A602-1	Rate-of-Climb Indicator	X	1
	A602-2	Rate-of-Climb Indicator (IVSI, optional)	X	1
7	B329-1	Turn Coordinator (1394-T100-7Z)	X	1
8	A600-4*	Manifold Pressure Gage	X	1
	A600-6**	Manifold Pressure Gage	X	1
9	KI 227-01	ADF Indicator (Bendix/King, includes item 26)	O	1
	KI 227-00	ADF Indicator (Bendix/King, includes item 26)	O	1
10	KI 525A	Pictorial Nav Indicator (Bendix/King, includes item 19)	O	1
11	B190-6	Cover	X	A/R
12	KDI 574	DME Indicator (Bendix/King, includes item 28)	O	1
13	KI 203	VOR Indicator (TSO'd, Bendix/King; includes item 29)	O	1
	KI 204	VOR Indicator (Bendix/King, includes item 29)	O	1
14	A590-1	Cover Plate (required if item 12 is installed)	X	1
15	MS33737-13C	Instrument Nut	X	6
16	MS24693-S32	Screw	X	A/R
17	—	Screw	X	2
18	MS24693-S27	Screw (use with items 11, 22, and 23 when no instrument is installed)	X	A/R
19	—	Screw	O	4
20	—	Clipnut	O	2
21	MS24693-S27	Screw	X	4

NOTES * Ship S/N 0001 thru 9999.
 ** Ship S/N 10001 and subsequent.

Continues

FIGURE AND INDEX NUMBER	PART NUMBER	DESCRIPTION	PARTS AVAIL	QTY PER ASSY
		TEN-INSTRUMENT CONSOLE ASSEMBLY (IFR TRAINER) (Cont'd)		
95-41-22	MS21042L06	Nut	X	A/R
23	NAS1149FN616P	Washer	X	A/R
24	B300-1	Switch (on-off; includes B227-3 lockwasher and B227-4 dress nut)	X	A/R
25	MS33737-15C	Instrument Nut	X	12
26	—	Screw	O	3
27	A981-1*	Face (see also Figure 95-13)	X	1
	A981-2**	Face (see also Figure 95-13)	X	1
28	—	Screw	O	4
29	—	Screw	O	3
30	MS35206-215	Screw	X	2
31	B190-4	Cover (Ref, no longer available)		
32	B198-1*	Warning Light (yellow; order item 34 when replacing)	X	10
33	B195-10	Post Light (14-volt ships; includes item 34)	X	A/R
	B195-11	Post Light (28-volt ships; includes item 34)	X	A/R
34	B196-1	Lamp (14-volt)	X	A/R
	B196-21	Lamp (28-volt)	X	A/R
35	MS21042L04	Nut	X	2
36	NAS1149FN416P	Washer	X	2
37	A173-2	Cover (required if item 1 is not installed)	X	1
38	A655-1	Time Delay – Low Fuel Warning	X	1
39	MS3367-4-9	Ty-Rap	X	1
40	MS33737-12C	Instrument Nut	X	4
41	A3135-017-935	Washer (countersunk)	X	4
42	MS24693-S30	Screw	X	3
43	B195-12	Post Light (14-volt ships; includes item 34)	X	5
	B195-13	Post Light (28-volt ships; includes item 34)	X	5
44	B195-14	Post Light (14-volt ships; narrow beam, tach only. Includes item 34.)	X	1
	B195-15	Post Light (28-volt ships; narrow beam, tach only. Includes item 34.)	X	1
45	2590	Hole Plug (if no post light installed)	X	A/R

NOTES * Ship S/N 0001 thru 9999.
 ** Ship S/N 10001 and subsequent.

Intentionally Blank

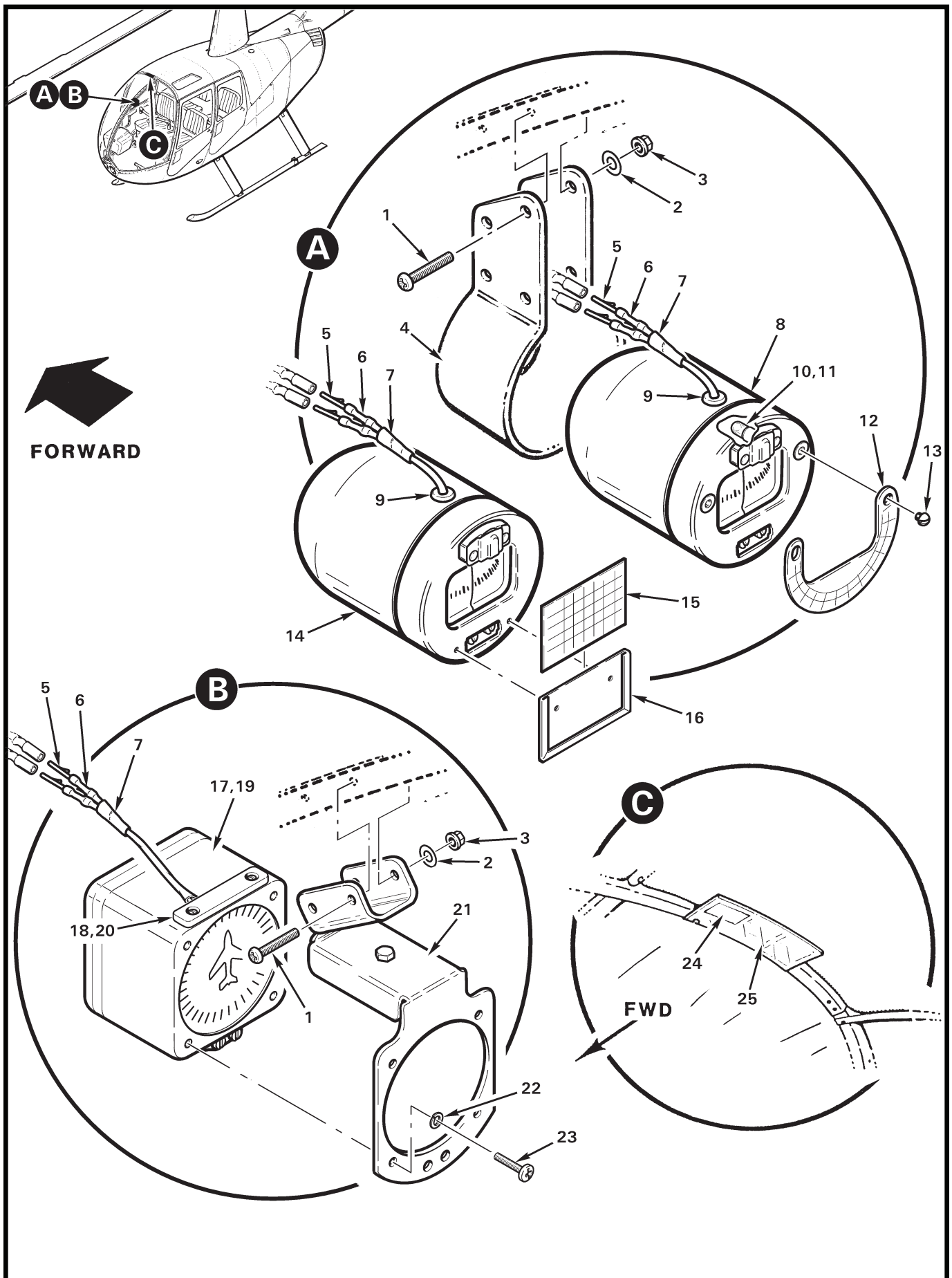


FIGURE AND INDEX NUMBER	PART NUMBER	DESCRIPTION	PARTS AVAIL	QTY PER ASSY
COMPASS INSTALLATION				
95-45-1	AN515UB8R20	Screw	X	4
2	NAS1149DN816J	Washer	X	4
3	NAS1291C08M	Nut	X	4
4	C685-1	Mount – Compass	X	1
5	B263-1	Pin	X	2
6	B158-2	Heat Shrink (0.125 in. dia., black)	X	A/R
7	B158-3	Heat Shrink (0.187 in. dia., black)	X	A/R
8	A022-3	Compass Assembly (14-volt ships. Includes items 5 thru 7, 9, 10, 12, and 13.)	X	1
	A022-4	Compass Assembly (28-volt ships. Includes items 5 thru 7, 9 and 11 thru 13.)	X	1
9	MS35489-4	Grommet	X	1
10	B196-1	Lamp (14-volt ships)	X	1
11	B196-21	Lamp (28-volt ships)	X	1
12	—	Deviation Plate	O	1
13	—	Screw	O	2
14	A022	Compass Assembly (Ref, no longer available. Superseded by item 8. For earlier R44s with items 15 and 16 installed.)		
15	C23-807	Deviation Card	X	1
16	C23-805M	Mount – Deviation Card	X	1
17	B148-2*	Compass Assembly – Vertical Card (14-volt ships. Includes items 5 thru 7, 18 and 23.)	X	1
18	—	Light Bar (14-volt; Ref)	O	1
19	B148-5*	Compass Assembly – Vertical Card (28-volt ships. Includes items 5 thru 7, 20 and 23.)	X	1
20	PAI-28V	Light Bar (28-volt; Ref)	O	1
21	B339-2	Mount (vertical card compass)	X	1
22	MS35338-136B	Lockwasher	X	4
23	—	Screw	O	4
24	PAI-DE-CARD	Deviation Placard (vertical card compass)	X	1
25	A725-3	Mount (Ref, see Figure 11-5)		

NOTES * Optional.

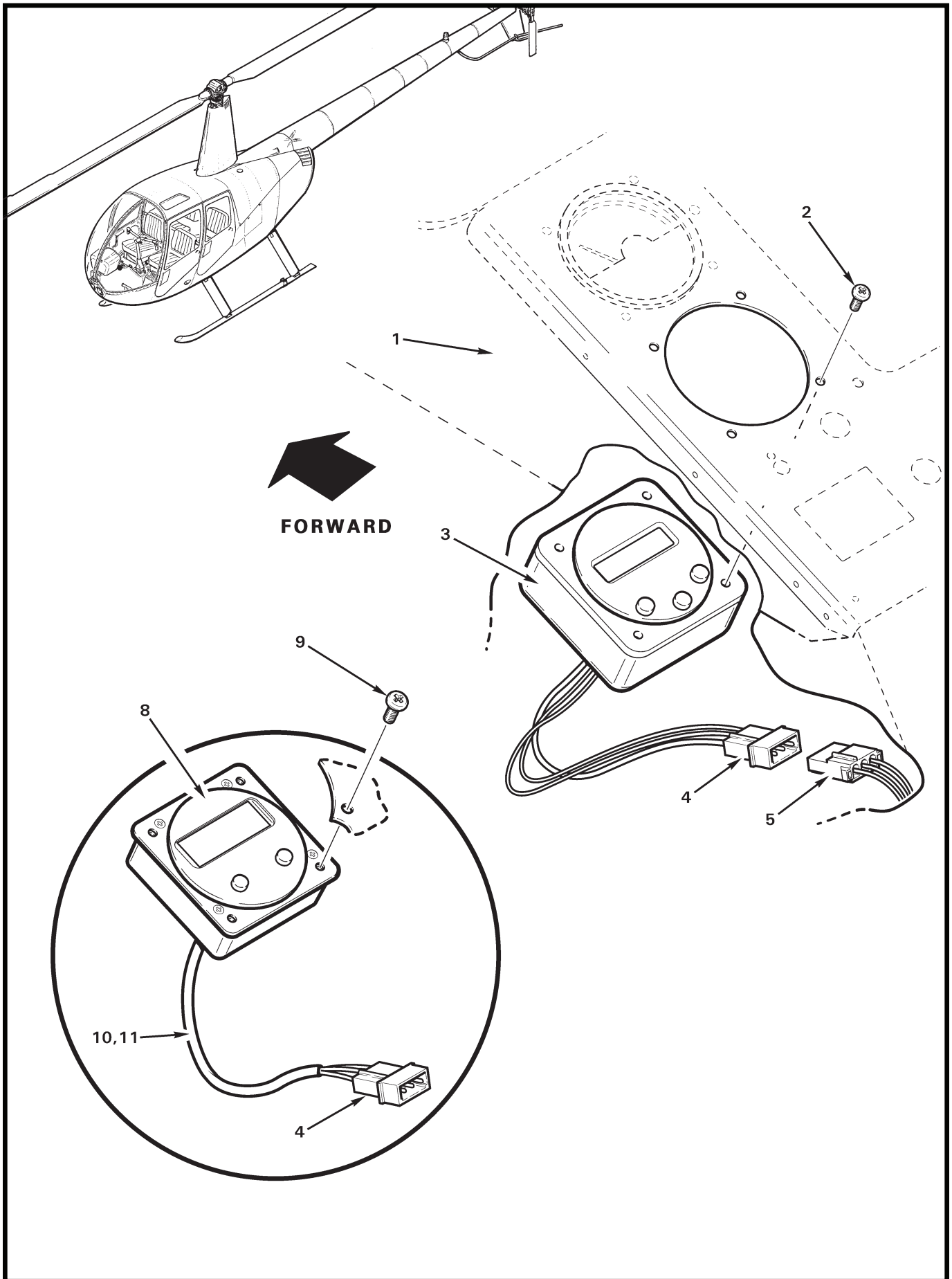


FIGURE AND INDEX NUMBER	PART NUMBER	DESCRIPTION	PARTS AVAIL	QTY PER ASSY
DIGITAL CLOCK INSTALLATION				
95-47-1	B050	Console Assembly (Ref)		
2	MS35206-228	Screw	X	4
3	A064-3	Chronometer Assembly (14-volt; Astrotech part no. AT4210R0. Includes items 4, 6, and wiring.)	X	1
	A064-4	Chronometer Assembly (28-volt; Astrotech part no. AT4220R0. Includes items, 4, 7, and wiring.)	X	1
4	B263-14	Housing	X	1
	B263-1	Pin	X	3
5	B263-15	Housing	X	1
	B263-2	Socket	X	3
6	B196-5	Lamp (14-volt, not shown)	X	1
7	B196-25	Lamp (28-volt, not shown)	X	1
8	A064-3*	Chronometer Assembly (14-volt; Davtron part no. 800-14-volt. Includes items 4, 9, 10, and wiring.)	X	1
	A064-4*	Chronometer Assembly (28-volt; Davtron part no. 800-28-volt. Includes items 4, 9, 11, and wiring.)	X	1
9	—	Screw (4-40 x 3/8)	O	4
10	B158-2	Heat Shrink	X	A/R
11	B158-402	Heat Shrink	X	A/R

NOTES * If equipped.

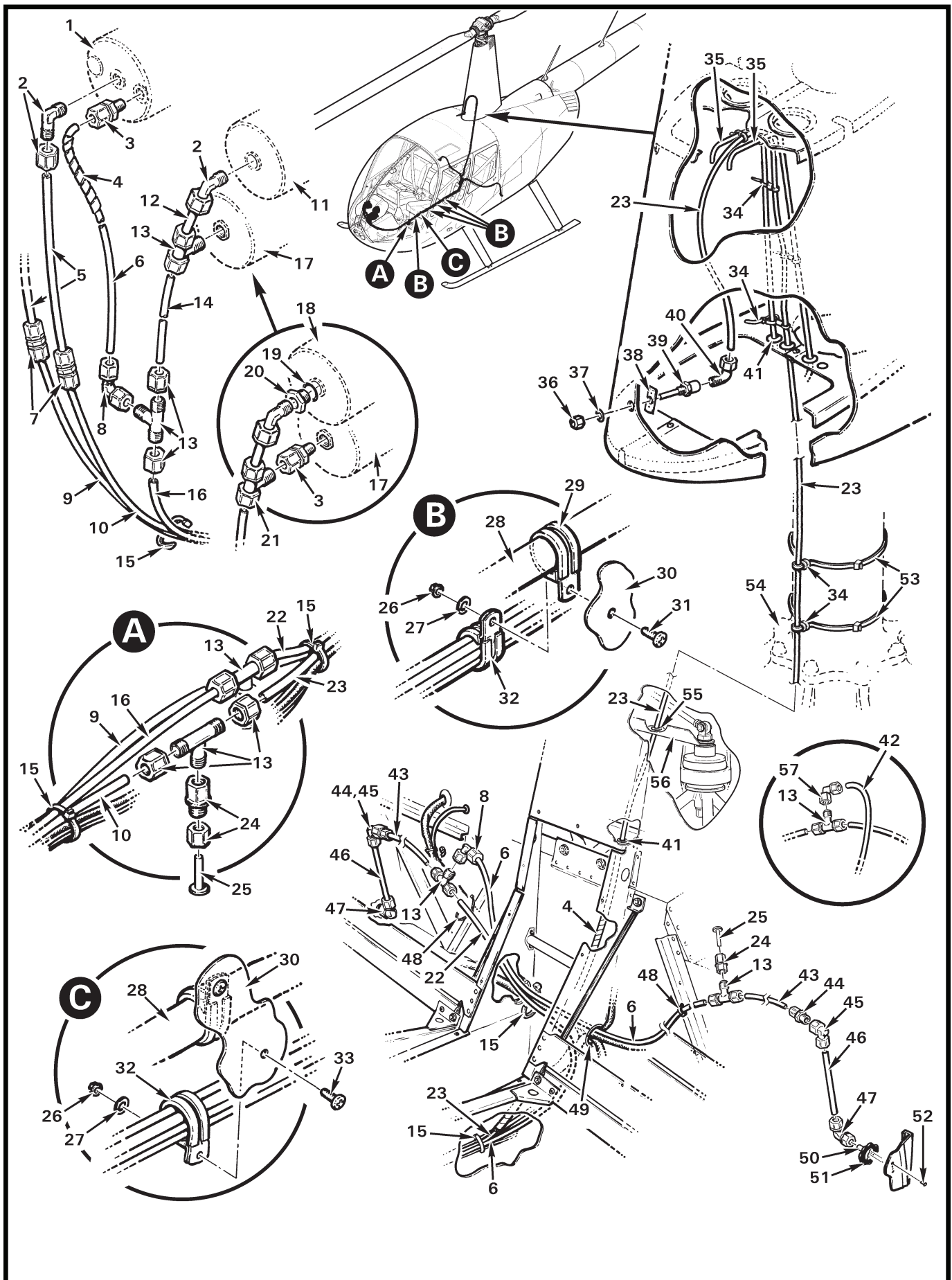


FIGURE AND INDEX NUMBER	PART NUMBER	DESCRIPTION	PARTS AVAIL	QTY PER ASSY
PITOT/STATIC LINES INSTALLATION*				
95-49-1	C599-1	Airspeed Indicator (Ref)		
2	40-4-2-N-0	Elbow	X	2
3	10-4-2-N-0	Fitting ([2] per ship required when item 18 is installed)	X	1
4	B161-4	Spirap	X	A/R
5	A729-21	Tube	X	2
6	A729-23	Tube	X	2
7	15-4-N-0	Union	X	2
8	45-4-2-N-0	Elbow	X	2
9	A729-15	Tube (Ref, to manifold pressure gage; see Figure 96-37)		
10	A729-6	Tube (7-hole console)	X	1
	A729-13	Tube (9-hole console)	X	1
11	A602-1	Rate-of-Climb Indicator (Ref)		
12	A729-26	Tube	X	1
13	60-4-2-N-0	Tee	X	6
14	A729-25	Tube	X	1
15	MS3367-5-9	Ty-Rap (or MS3367-4-9)	X	A/R
16	A729-11	Tube	X	1
17	A613	Altimeter (Ref, see Figure 95-1)		
18	A602-2	Rate-of-Climb Indicator (Ref, IVSI; optional)		
19	MS28778-6	Packing (o-ring)	X	1
20	A763-1	Adapter	X	1
21	70-4-N-0	Tee (7-hole console)	X	1
	60-4-2-N-0	Tee (10-hole console)	X	1
22	A729-18	Tube	X	1
23	A729-14	Tube (pitot)	X	1
24	25-4-2-N-0	Fitting	X	2
25	PI0808S	Plug	X	2
26	MS21042L08	Nut	X	6
27	NAS1149FN816P	Washer	X	6
28	C059	Wire Harness (Ref)		
29	MS21919WDG12	Clamp	X	6

NOTES * Seven-hole console installation shown.

Continues

FIGURE AND INDEX NUMBER	PART NUMBER	DESCRIPTION	PARTS AVAIL	QTY PER ASSY
PITOT/STATIC LINES INSTALLATION* (Cont'd)				
95-49-30	C293	Keel Panel – (Ref, LH)		
31	MS27039C0806	Screw	X	5
32	MS21919WDG9	Clamp	X	6
33	MS27039C0806	Screw	X	5
34	MS3367-4-9	Ty-Rap	X	12
35	C731-1	Fuel Vent Line (Ref, see also Figure 28-1)		
36	MS21083-N5	Nut	X	1
37	AN960PD516L	Washer	X	1
38	A246-3	Spacer	X	1
39	A262-1	Fitting – Pitot Tube	X	1
40	A596-1	Elbow	X	1
41	NAS557-4A	Grommet	X	1
42	A729-25	Tube (Use with B240-1 Blind Encoder. See Figure 97-23.)	X	1
43	A729-12	Tube (static)	X	2
44	10-4-6-N-0	Fitting	X	2
45	45-6-6-N-0	Elbow	X	2
46	A729-32	Tube	X	2
47	50-6-N-0	Elbow	X	2
48	MS3367-5-9	Ty-Rap	X	2
49	NAS557-22A	Grommet	X	2
50	C262-2	Fitting (install using items 51 and 52)	X	1
51	B270-1	Sealant (2-oz tube)	X	A/R
52	NAS1097AD3	Rivet	X	2
53	MS3367-7-9	Ty-Rap (use [2] of item 34 as “stand off”)	X	2
54	C006	Main Rotor Gearbox (Ref)		
55	2813	Bushing (Ref, see Figure 67-57)		
56	C559-6	Brace (Ref, see Figure 67-57)		
57	45-4-2-N-0	Elbow (Use with B240-1 Blind Encoder. See Figure 97-23.)	X	1

NOTES * Seven-hole console installation shown.

Intentionally Blank

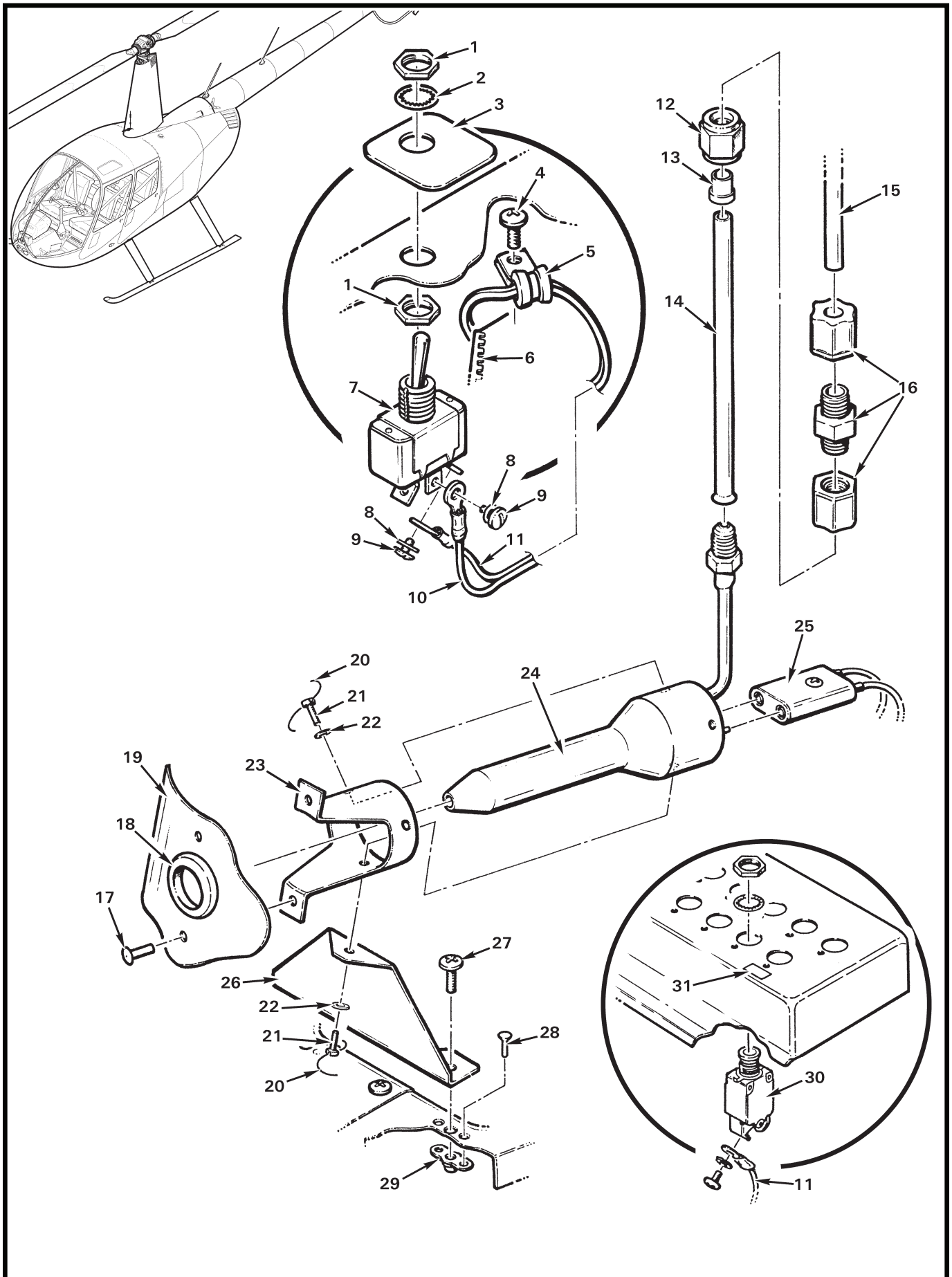


FIGURE AND INDEX NUMBER	PART NUMBER	DESCRIPTION	PARTS AVAIL	QTY PER ASSY
HEATED PITOT INSTALLATION				
95-53-1	—	Nut	O	2
2	—	Lockwasher	O	1
3	D339-3	Nameplate	X	1
4	MS27039C0806	Screw (Ref)	X	1
5	MS21919WDG2	Clamp	X	1
6	MS21266-1N	Grommet (install using B270-8qt adhesive)	X	A/R
	B270-8qt	Adhesive (one-quart can)	X	A/R
7	B300-4	Switch (Incl items 1, 2, 8, and 9)	X	1
8	—	Washer	O	2
9	—	Screw	O	2
10	-709	Wire (Ref)		
11	-710	Wire (Ref)		
12	AN818-4D	Nut	X	1
13	MS20819-4D	Sleeve	X	1
14	D339-4	Tube	X	1
15	A729-14	Tube (Ref; see also Figure 95-27)		
16	15-4-N-0	Union	X	1
17	MS20470AD4	Rivet	X	2
18	MS35489-17X	Grommet	X	1
19	C261-2	Skin (Mast Fairing; Ref)		
20	MS20995C20	0.020 in .dia. Safety Wire	X	A/R
21	AN502-6-6	Screw	X	3
22	NAS620-6	Washer	X	3
23	D339-1	Mount	X	1
24	D340-1	Pitot Tube Assembly (14-volt ships; includes item 25)	X	1
	D340-2	Pitot Tube Assembly (28-volt ships; includes item 25)	X	1
25	—	Connector (with sockets)	O	1
26	D339-2	Brace	X	1
27	MS27039C0806	Screw	X	2
28	MS20426AD3	Rivet (flush head)	X	2
29	MS21069L08	Nutplate	X	2
30	B297-10	Circuit Breaker (10-amp)	X	1
31	C654-26	Decal – "Pitot Heat" (for earlier R44s)	X	1
NOTES				

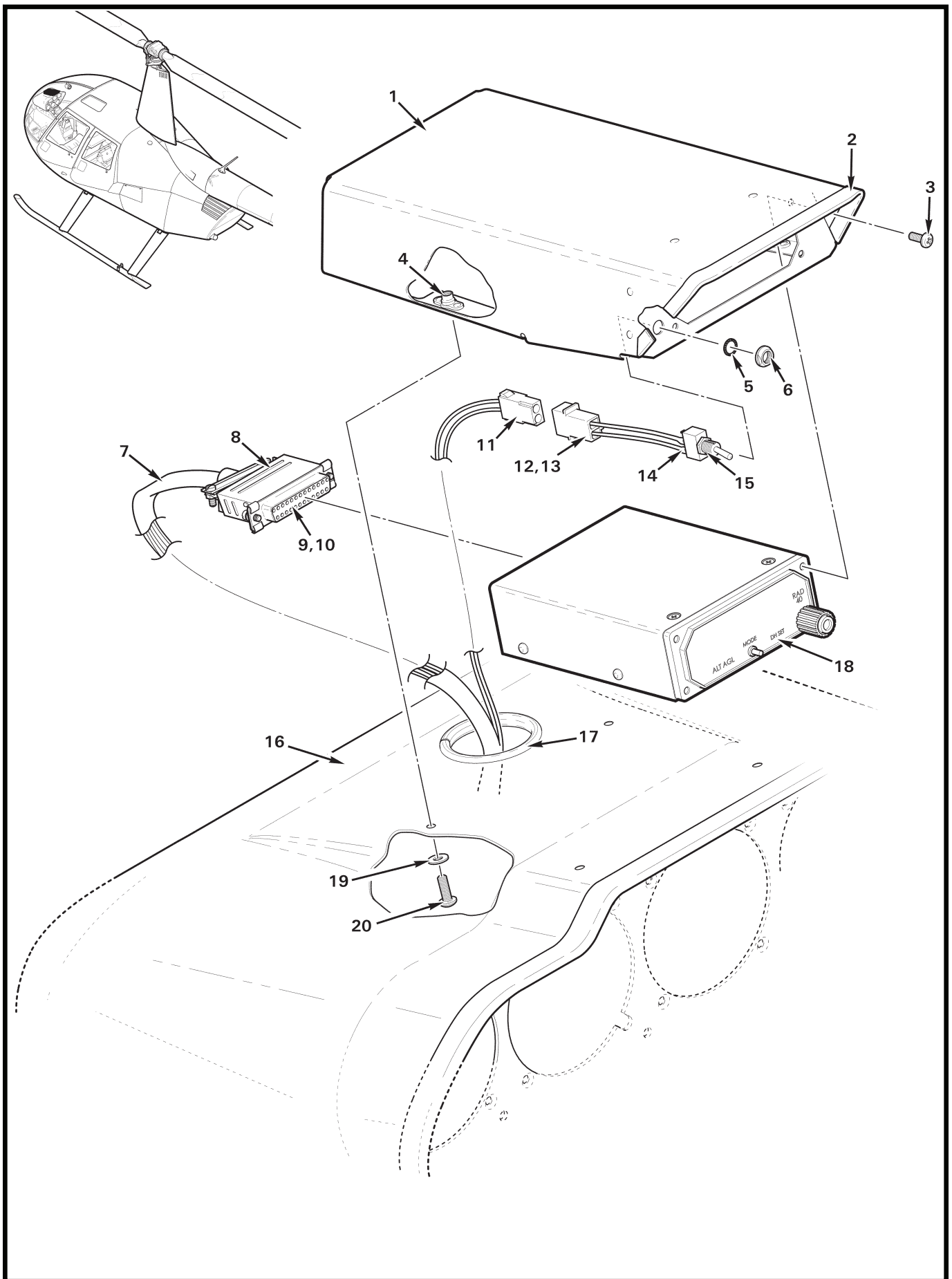


FIGURE AND INDEX NUMBER	PART NUMBER	DESCRIPTION	PARTS AVAIL	QTY PER ASSY
RADAR ALTIMETER INDICATOR INSTALLATION				
95-55-1	B560-1	Enclosure Assembly (Incl items 2 and 4)	X	1
2	A226-15	Trim	X	A/R
3	9-2804-068-10*	Screw	O	4
4	MS21069L08	Nutplate	X	4
5	B227-3	Lockwasher	X	1
6	B227-4	Dress Nut	X	1
7	B266-8	Sleeving	X	A/R
8	9-2190-188-20**	Hood	O	1
9	9-2190-188-10**	Connector	O	1
10	B158-2	Heat Shrink (around wires; not shown)	X	A/R
11	B263-13	Housing	X	1
	B263-2	Socket	X	2
12	B049-9	Wire Harness Assembly (Incl items 13 thru 15)	X	1
13	B263-12	Housing	X	1
	B263-1	Pin	X	2
14	B158-1	Heat Shrink	X	A/R
15	B300-1	Switch Assembly (Incl items 5 and 6)	X	1
16	B051-1	Console Assembly (Ref)		
17	NAS557-24A	Grommet	X	1
18	B422-1	Indicator Assembly (Incl item 3)	X	1
19	NAS1149FN832P	Washer	X	4
20	MS27039C0807	Screw	X	4

NOTES * Above console location.
 ** Free-Flight Systems part no.

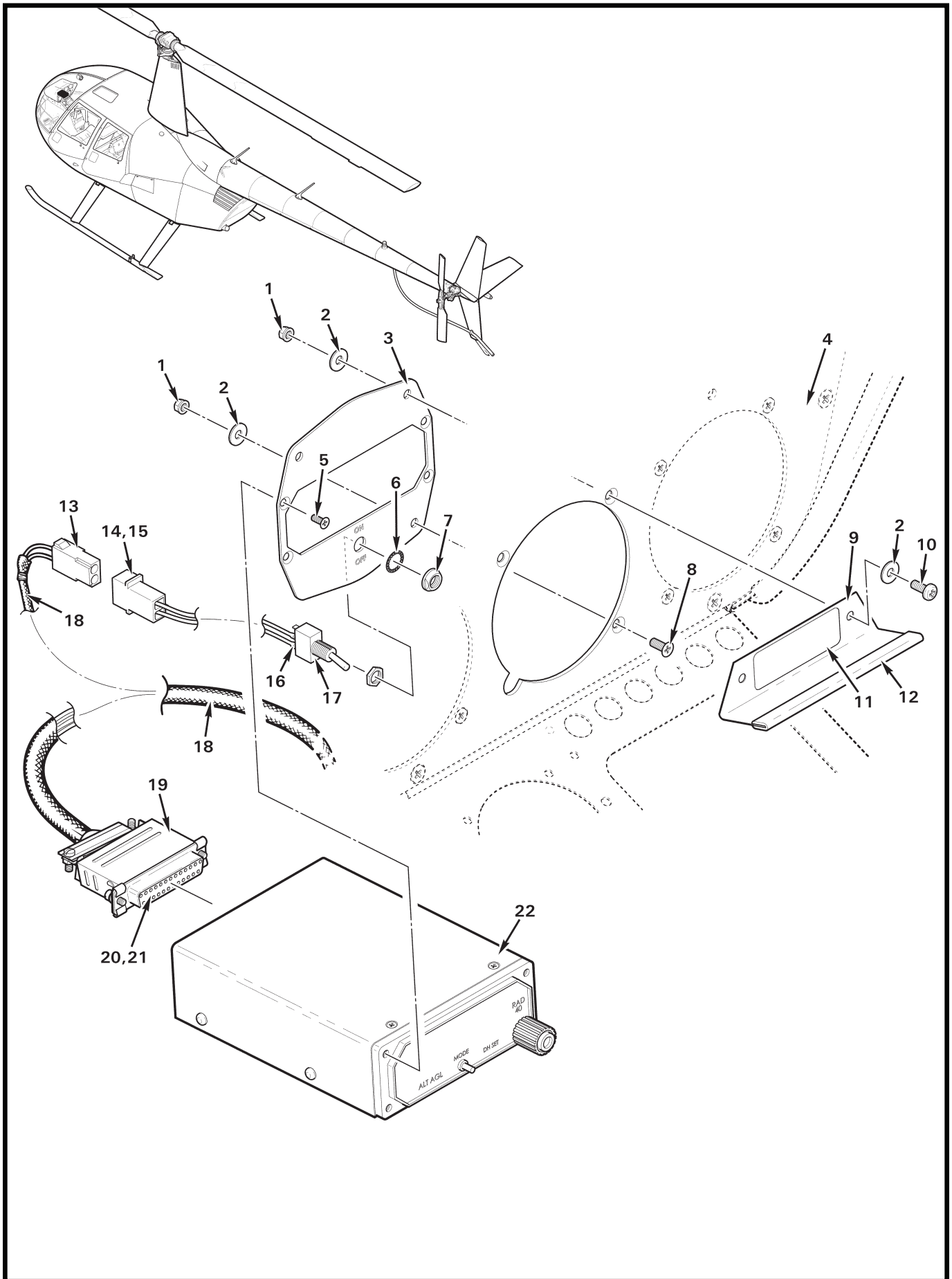


FIGURE AND INDEX NUMBER	PART NUMBER	DESCRIPTION	PARTS AVAIL	QTY PER ASSY
RADAR ALTIMETER INDICATOR INSTALLATION				
95-57-1	MS21042L06	Nut	X	3
2	NAS1149FN632P	Washer	X	5
3	A590-4	Plate	X	1
4	B051	Console Assembly (Ref)		
5	9-2804-068-10*	Screw	O	4
6	B227-3	Lockwasher	X	1
7	B227-4	Dress Nut	X	1
8	MS24693-S26	Screw	X	1
9	B421-1	Visor Assembly (Incl items 11 and 12)	X	1
10	MS35206-229	Screw	X	2
11	C654-46	Decal – Caution (altimeter instructions)	X	1
12	A226-11	Trim	X	A/R
13	B263-13	Housing	X	1
	B263-2	Socket	X	2
14	B049-9	Wire Harness Assembly (Incl items 15 thru 17)	X	1
15	B263-12	Housing	X	1
	B263-1	Pin	X	2
16	B158-1	Heat Shrink	X	A/R
17	B300-1	Switch Assembly (Incl items 6 and 7)	X	1
18	B266-8	Sleeving	X	A/R
19	9-2190-188-20**	Hood	O	1
20	9-2190-188-10**	Connector	O	1
21	B158-2	Heat Shrink (not shown)	X	A/R
22	B422-1	Indicator Assembly (Incl item 5)	X	1

NOTES * Console location.
 ** FreeFlight Systems part no.

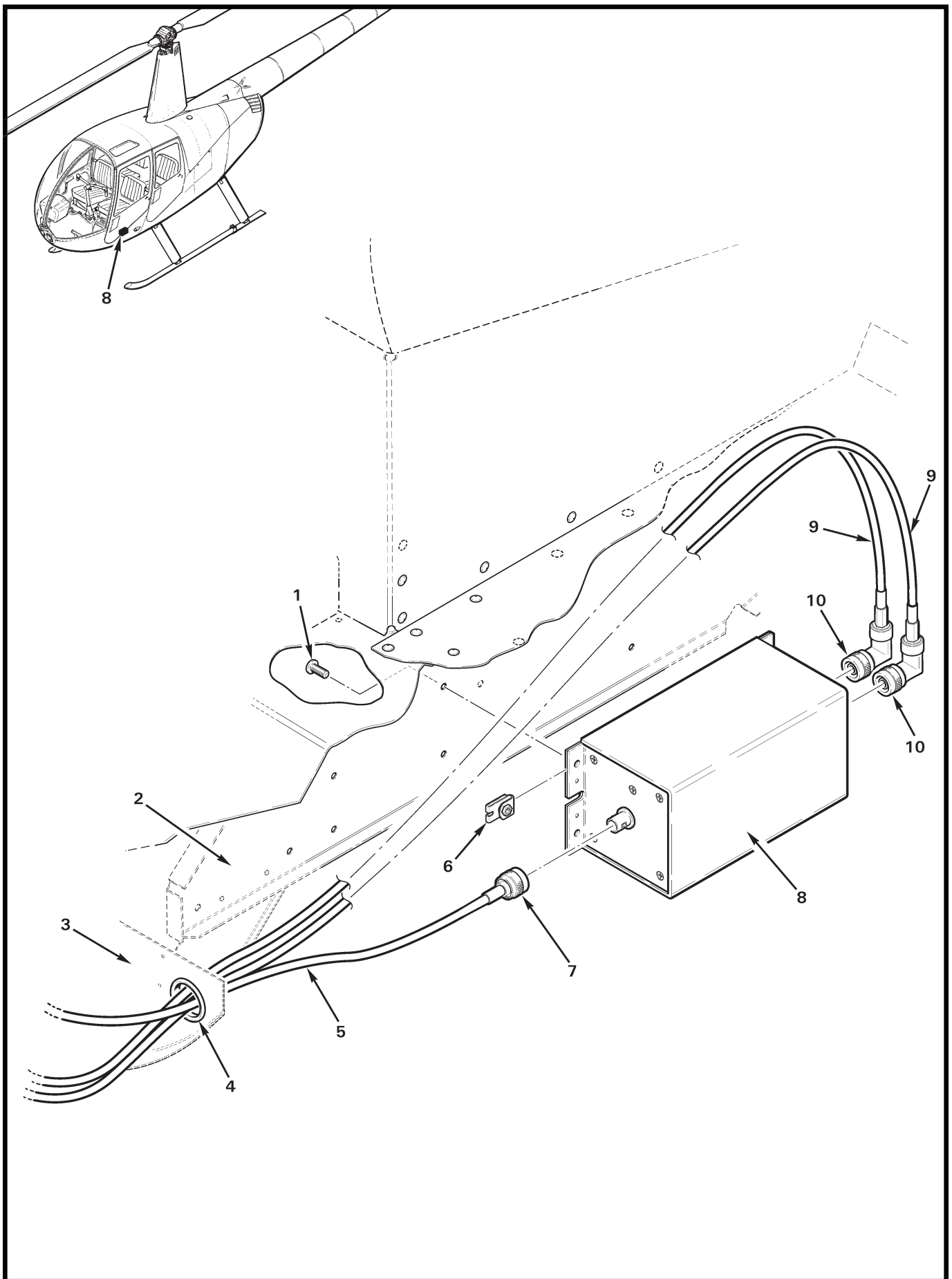


FIGURE AND INDEX NUMBER	PART NUMBER	DESCRIPTION	PARTS AVAIL	QTY PER ASSY
RADAR ALTIMETER INSTALLATION				
95-59-1	MS20739C0807	Screw	X	4
2	C531	Support (Ref)		
3	D230	Bulkhead (Ref)		
4	NAS557-14A	Grommet	X	1
5	—	Cable (wire no. 1329; to indicator)	O	1
6	B162-3	Clipnut	X	4
7	9-2122-102-00*	Connector (BNC)	O	1
8	1901-3500-00*	Radar Altimeter (Model no. TRA-3500)	O	1
9	—	Cable (to antennas; supplied with item 8)	O	2
10	—	Connector (BNC)	O	2

NOTES * FreeFlight Systems part no.

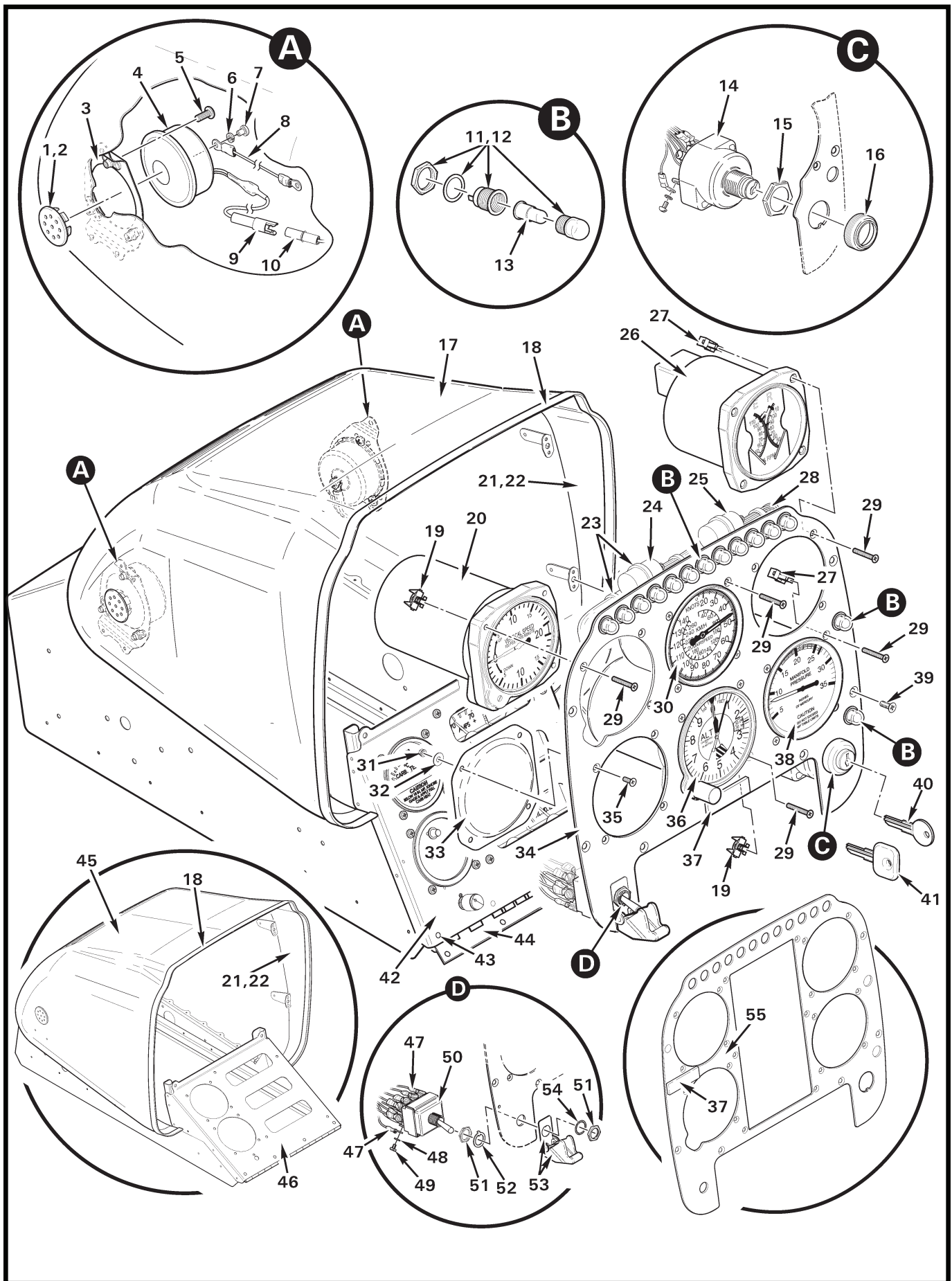


FIGURE AND INDEX NUMBER	PART NUMBER	DESCRIPTION	PARTS AVAIL	QTY PER ASSY
SIX-INSTRUMENT CONSOLE ASSEMBLY				
95-61-1	9688K643	Hole Plug (install using item 2)	X	2
2	B270-18	Adhesive	X	A/R
3	C479-1	Mount Assembly (Ref)		
4	B320-1	Horn Assembly (RH and LH, 14-volt; includes items 6 thru 9)	X	2
	B320-3	Horn Assembly (RH and LH, 28-volt; includes items 6 thru 9)	X	2
5	MS27039C0806	Screw	X	6
6	B332-42	Lockwasher	X	1
7	MS35206-241	Screw	X	1
8	B320-79	Wire (to ground)	X	1
9	B263-10	Housing	X	1
	B263-1	Pin	X	1
10	B263-11	Housing (Ref)		
	B263-2	Socket (Ref)		
11	B198-1	Light (amber; includes washer, nut, and amber lens as shown)	X	12
12	B198-2	Light (red; includes washer, nut, and red lens as shown)	X	2
13	B196-1	Lamp (14-volt)	X	1
	B196-21	Lamp (28-volt)	X	1
14	A661-1	Switch – Ignition (Incl items 15, 16, and two keys)	X	1
15	—	Nut	O	1
16	—	Nut	O	1
17	G051-18	Shell Assembly (“High”; includes items 1, 2, 18, 21, 22, and 42)	X	1
18	A226-11	Trim	X	A/R
19	MS33737-13C	Nut – Instrument	X	6
20	A602-1	Rate-of-Climb Indicator	X	1
21	G051-13	Visor Liner (install using item 22)	X	A/R
22	B270-8QT	Adhesive	X	A/R
23	MS3367-5-9	Ty-Rap	X	A/R
24	A655-1	Time Delay – Low Fuel Warning	X	1
25	B280-4	Relay Assembly (governor off lamp)	X	1
26	C792-4	Engine/Rotor Tachometer (14-volt, without alert; superseded by C792-5)	O	1
	C792-5	Engine/Rotor Tachometer (14/28-volt, with alert; not shown)	X	1
	B792-2*	Harness Assembly – Dual Tach (not shown)	X	1
27	MS33737-15C	Nut – Instrument	X	12

NOTES * Required to connect C792-5 tachometer to airframe wiring on R44 ship S/N 2624 and prior, R44 II S/N 10001 thru 14411, except 14364, and R44 Cadet S/N 30001 thru 30070, except 30061.

Continues

FIGURE AND INDEX NUMBER	PART NUMBER	DESCRIPTION	PARTS AVAIL	QTY PER ASSY
SIX-INSTRUMENT CONSOLE ASSEMBLY (Cont'd)				
95-61-28	D716-010	Harness Assembly – Console (Ref; includes items 14, 23 thru 25, 49, and 52)	X	1
29	MS24693-S32	Screw	X	18
30	C599-1	Airspeed Indicator (130 knot VNE, KM/H)	X	1
	C599-7*	Airspeed Indicator (120 knot VNE, MPH)	X	1
	C599-8*	Airspeed Indicator (120 knot VNE, KM/H; superseded by C599-7)	O	1
31	MS21042L06	Nut	X	4
32	NAS1149FN616P	Washer	X	4
33	B190-6	Cover	X	1
34	G055-10	Face (standard)	X	1
35	MS24693-S27	Screw	X	4
36	A613-1	Altimeter	X	1
37	A743-1	Call Letters Plate (please specify call letters)	X	1
38	A600-4	Manifold Pressure Gage	X	1
	A600-7**	Manifold Pressure Gage	X	1
39	MS24694-S4	Screw	X	6
40	R8096	Key – Duplicate (specify ship S/N and “PK” number when ordering)	X	1
41	D768-2	Key (blank; black plastic-coated “R44” logo)	X	1
42	G054-16	Face Assembly (Incl items 43 and 44)	X	1
43	MS20426AD3	Rivet	X	4
44	A356-2	Hinge (install using item 43)	X	1
45	G051-12	Shell Assembly (“Low”, for earlier R44s. Includes items 1, 2, 18, 21, 22, and 46.)	O	1
46	G054-17	Face Assembly (Incl items 43 and 44)	O	1
47	B260-2	Terminal	X	16
48	—	Washer (Ref)		
49	—	Screw (Ref)		
50	MS25068-23	Switch – Clutch (Incl items 48, 49, 51, 52, and 54)	X	1
51	—	Nut	O	2
52	—	Keywasher	O	1
53	MS25224-1	Guard	X	1
54	—	Lockwasher	O	1
55	G055-11	Face (optional)	X	1

NOTES * Ship S/N 30001 and subsequent.
 ** Ship S/N 30009 and subsequent.

Intentionally Blank

FIGURE AND INDEX NUMBER	PART NUMBER	DESCRIPTION	PARTS AVAIL	QTY PER ASSY
		EIGHT-INSTRUMENT CONSOLE ASSEMBLY		
95-65-1	G051-3*	Shell Assembly ("High"; includes items 4 thru 6, 9 thru 11, and 41 thru 43.)	X	1
	G051-4**	Shell Assembly ("High"; includes items 4 thru 6, 9 thru 11, and 41 thru 43.)	X	1
	G051-16**	Shell Assembly ("High"; Clipper II, includes items 4 thru 6, 9 thru 11, and 41 thru 43.)	X	1
2	MS27039C0806	Screw	X	7
3	B320-1	Horn Assembly (14-volt)	X	2
	B320-3	Horn Assembly (28-volt)	X	2
4	C479-1	Mount Assembly	X	2
5	9688K643	Plug (install using item 6)	X	2
6	B270-18	Adhesive	X	A/R
7	B198-1	Light – Caution (Amber; clutch actuator, main rotor temperature, main rotor chip, carbon monoxide, starter, tail rotor chip, low fuel, low rotor rpm, alternator, fuel filter***, aux fuel pump***, gov off, throttle, and brake. Order item 8 when replacing lamp.)	X	A/R
	B198-2	Light – Warning (Red; engine fire, oil pressure. Order item 8 when replacing lamp.)	X	2
8	B196-21	Lamp (28-volt)	X	16
	B196-1	Lamp (14-volt)	X	14
9	A226-11	Trim	X	A/R
10	G051-10	Visor Liner (install using item 11)	X	1
11	B270-8qt	Adhesive	X	A/R
12	MS33737-15C	Nut	X	12
13	C792-4	Engine/Rotor Tachometer	X	1
	R9602	Engine/Rotor Tachometer (overhaul-exchange)	X	1
14	MS24693-S32	Screw	X	22
15	MS21042L08	Nut	X	10
16	NAS1149FN616P	Washer	X	10
17	MS21042L08	Nut	X	1
18	NAS1149FN816P	Washer	X	1
19	B190-6	Cover	X	3
20	G055-5**	Face	X	1
21	C599-1	Airspeed Indicator (130 knot VNE, KM/H)	X	1
	C599-7	Airspeed Indicator (120 knot VNE, MPH; R44 Cadet)	X	1
	C599-8	Airspeed Indicator (120 knot VNE, KM/H; R44 Cadet)	X	1

NOTES * Ship S/N 0001 thru 9999.
 ** Ship S/N 10001 and subsequent.
 *** If installed.

Continues

FIGURE AND INDEX NUMBER	PART NUMBER	DESCRIPTION	PARTS AVAIL	QTY PER ASSY
EIGHT-INSTRUMENT CONSOLE ASSEMBLY (Cont'd)				
95-65-22	MS24694-S4	Screw	X	6
23	MS33737-13C	Nut	X	6
24	A602-1	Rate-of-Climb Indicator (VSI)	X	1
25	MS24693-S27	Screw	X	10
26	A600-4*	Manifold Pressure Gage	X	1
	A600-6**	Manifold Pressure Gage	X	1
	A600-7***	Manifold Pressure Gage	X	1
27	MS27039C1-06	Screw	X	1
28	A613-1	Altimeter (In.-Hg)	X	1
	A613-2	Altimeter (Millibar, optional)	X	1
	A613-4	Altimeter (Metric, optional)	X	1
29	A661-1	Switch – Ignition	X	1
30	A743-1	Call Letters Plate (specify call letters)	X	1
31	MS25068-23	Switch – Clutch	X	1
32	MS25224-1	Guard – Clutch Switch	X	1
33	A072-12*	Clock Assembly (14-volt)	X	1
	A072-13**	Clock Assembly (28-volt)	X	1
34	MS21042L3	Nut	X	1
35	NAS1149F0332P	Washer	X	1
36	R8069	Key – Duplicate (specify ship S/N and “PK” number when ordering)	X	1
37	D768-2	Key (blank; black plastic-coated, “R44” logo)	X	1
38	G055-4*	Face	X	1
39	G055-1*	Face	X	1
	G055-2**	Face (not shown)	X	1
40	G055-7*	Face	X	1
	G055-8**	Face (not shown).	X	1
41	G054	Face Assembly (Ref, see Figure 95-47 or 95-51)		
42	MS20426AD3	Rivet	X	4
43	A356-2	Hinge	X	1
44	D716-010	Harness Assembly – Console (Ref)		

NOTES * Ship S/N 0001 thru 9999.
 ** Ship S/N 10001 and subsequent.
 *** Ship S/N 30001 and subsequent.

Continues

FIGURE AND INDEX NUMBER	PART NUMBER	DESCRIPTION	PARTS AVAIL	QTY PER ASSY
95-65-45	G051-7*	EIGHT-INSTRUMENT CONSOLE ASSEMBLY (Cont'd) Shell Assembly ("Low"; includes items 4 thru 6, 9 thru 11, and 41 thru 43. Restricted availability. Contact RHC Customer Service before ordering.)	X	1
	G051-8**	Shell Assembly ("Low"; includes items 4 thru 6, 9 thru 11, and 41 thru 43. Restricted availability. Contact RHC Customer Service before ordering.)	X	1
	G051-17**	Shell Assembly ("Low", Clipper II. Includes items 4 thru 6, 9 thru 11, and 41 thru 43. Restricted availability. Contact RHC Customer Service before ordering.)	X	1
<p>NOTES * Ship S/N 0001 thru 9999. ** Ship S/N 10001 and subsequent.</p>				

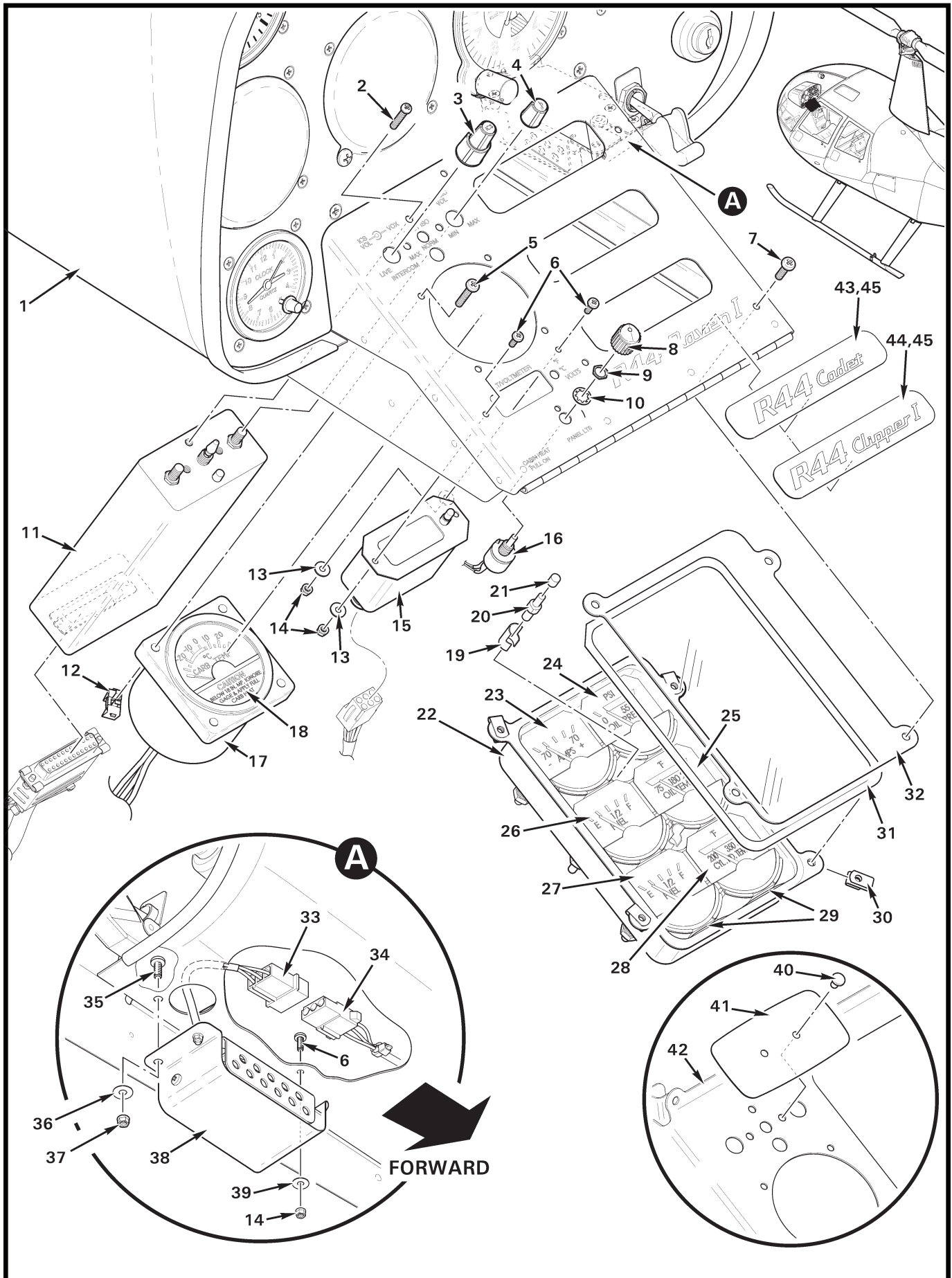


FIGURE AND INDEX NUMBER	PART NUMBER	DESCRIPTION	PARTS AVAIL	QTY PER ASSY
		INSTRUMENT CONSOLE ASSEMBLY – LOWER PANEL (R44)		
95-69-1	G051-7	Shell Assembly (Ref)		
	G051-12	Shell Assembly (Ref, not shown. Six-instrument console; item 39 location does not apply.)		
2	—	Screw	O	3
3	—	Knob	O	1
4	—	Knob	O	1
5	MS35206-232	Screw	X	4
6	MS35206-214	Screw	X	3
7	MS35206-230	Screw	X	4
8	MS91528-0C1B	Knob	X	1
9	—	Nut	O	1
10	—	Lockwasher	O	1
11	B338-2	Intercom System Unit (Incl items 2 thru 4)	X	1
12	MS33737-12C	Nut – Instrument	X	4
13	NAS1149FN432P	Washer	X	2
14	MS21042L04	Nut	X	3
15	B341-1	Outside Air Temperature Gage (does not include B341-4 probe)	X	1
16	B398-1	Potentiometer (Incl items 9 and 10)	X	1
17	C604-6	Carb Air Temp Gage (Incl item 18)	X	1
18	A654-66	Decal (carb heat instructions)	X	1
19	A700-1	Barrier	X	2
20	100057017	Lamp (gray base)	X	2
21	6P47	Cap (for red lighting requirement)	X	2
	17P47	Cap (for white lighting requirement)	X	2
22	B144-3	Instrument Cluster (14-volt; includes items 19 thru 21 and 23 thru 32)	X	1
23	6246-00468	Ammeter	X	1
24	6246-00647	Oil Pressure Meter (14-volt)	X	1
25	6246-00090	Oil Temperature Meter (14-volt)	X	1
26	6246-00473	Fuel Quantity Meter (main tank, 14-volt)	X	1
27	6246-00473	Fuel Quantity Meter (aux tank, 14-volt)	X	1
28	6246-00088	Cylinder Head Temperature Meter (14-volt)	X	1
29	—	Desicant Bag (1-gram bag, Ref)	O	2
30	B162-1	Clipnut	X	4
31	0015-00723	Gasket	X	1

NOTES

Continues

FIGURE AND INDEX NUMBER	PART NUMBER	DESCRIPTION	PARTS AVAIL	QTY PER ASSY
INSTRUMENT CONSOLE ASSEMBLY – LOWER PANEL (R44; Cont’d)				
95-69-32	0003-00434	Window Crystal (clear plastic)	X	1
33	B263-14	Housing	X	1
	B263-1	Pin	X	3
34	B263-15	Housing	X	1
	B263-2	Socket	X	3
35	MS35206-228	Screw	X	1
36	NAS1149FN616P	Washer	X	1
37	MS21042L06	Nut	X	1
38	C696-1	CO Detector Assembly (includes item 33; eight-instrument console location shown)	X	1
39	NAS1149FN416P	Washer	X	1
40	SR-3535B	Rivet	X	1
41	B181-7	Cover	X	1
42	G054-6	Cluster Panel – Face Assembly (Ref)		
43	G054-23	Plate – “R44 Cadet”	X	1
44	G054-15	Plate – “R44 Clipper I”	X	1
45	A701-7	Tape (black foam, adhesive both sides)	X	A/R
NOTES				

Intentionally Blank

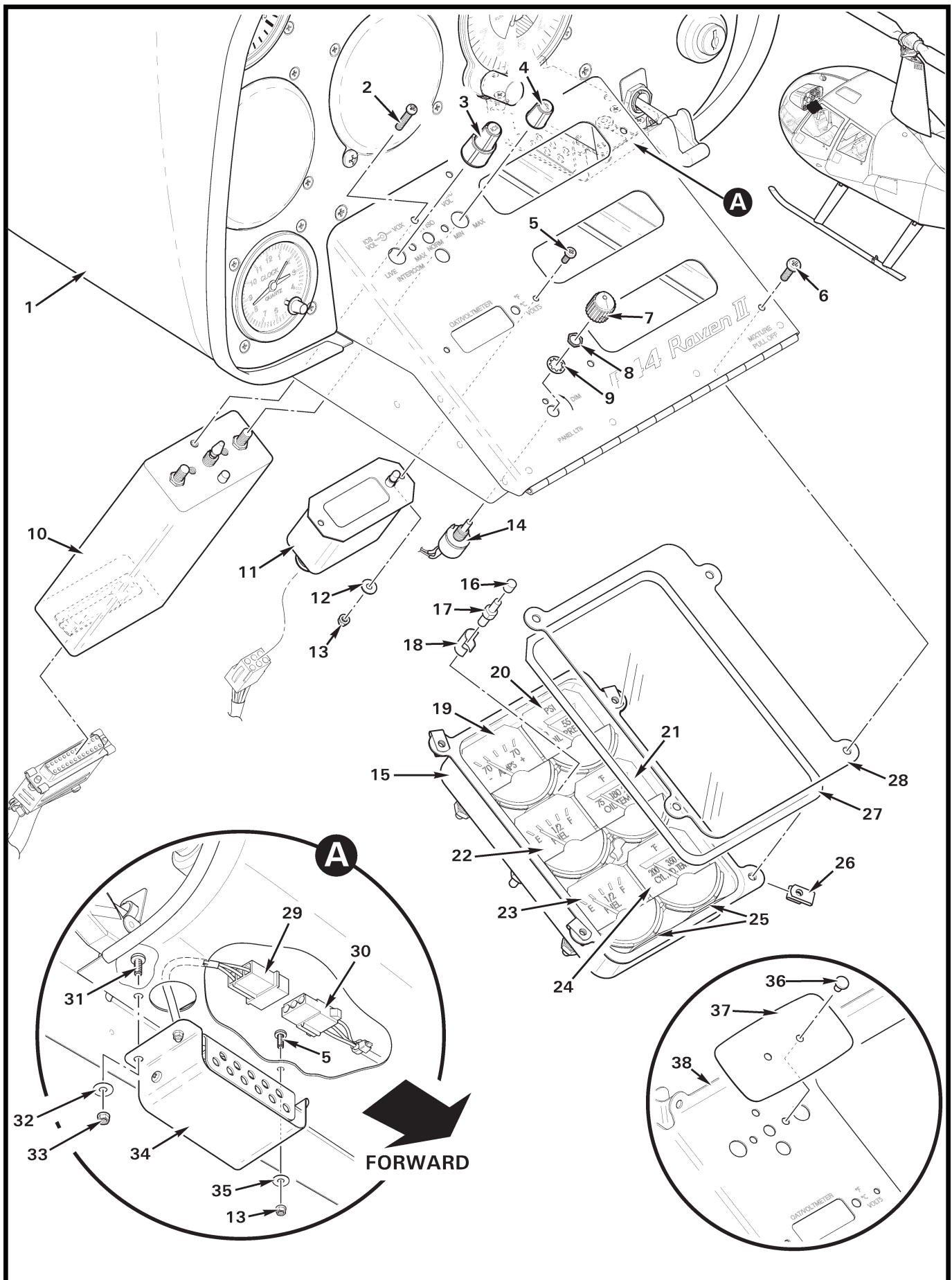


FIGURE AND INDEX NUMBER	PART NUMBER	DESCRIPTION	PARTS AVAIL	QTY PER ASSY
		INSTRUMENT CONSOLE ASSEMBLY – LOWER PANEL (R44 II)		
95-73-1	G051-8	Shell Assembly (Ref)		
2	—	Screw	O	3
3	—	Knob	O	1
4	—	Knob	O	1
5	MS35206-214	Screw	X	3
6	MS35206-230	Screw	X	4
7	MS91528-0C1B	Knob	X	1
8	—	Nut	O	1
9	—	Lockwasher	O	1
10	B338-2	Intercom System Unit (Incl items 2 thru 4)	X	1
11	B341-1	Outside Air Temperature Gage (does not include B341-4 probe)	X	1
12	NAS1149FN432P	Washer	X	2
13	MS21042L04	Nut	X	3
14	B398-1	Potentiometer (Incl items 9 and 10)	X	1
15	B144-4	Instrument Cluster (28-volt; includes items 16 thru 28)	X	1
16	6P47	Cap (for red lighting requirement)	X	2
	17P47	Cap (for white lighting requirement)	X	2
17	100057022	Lamp (28-volt, red base)	X	2
18	A700-1	Barrier	X	2
19	6246-00468	Ammeter	X	1
20	6246-00715	Oil Pressure Meter (28-volt)	X	1
21	6246-00717	Oil Temperature Meter (28-volt)	X	1
22	6246-00716	Fuel Quantity Meter (main tank, 28-volt)	X	1
23	6246-00716	Fuel Quantity Meter (aux tank, 28-volt)	X	1
24	6246-00718	Cylinder Head Temp Meter (28-volt)	X	1
25	—	Desicant Bag (1-gram bag, Ref)	O	2
26	B162-1	Clipnut	X	4
27	0015-00723	Gasket	X	1
28	0003-00434	Window Crystal (clear plastic)	X	1
29	B263-14	Housing	X	1
	B263-1	Pin	X	3
30	B263-15	Housing	X	1
	B263-2	Socket	X	3
31	MS35206-228	Screw	X	1
32	NAS1149FN616P	Washer	X	1

NOTES

Continues

FIGURE AND INDEX NUMBER	PART NUMBER	DESCRIPTION	PARTS AVAIL	QTY PER ASSY
INSTRUMENT CONSOLE ASSEMBLY – LOWER PANEL (R44 II; Cont’d)				
95-73-33	MS21042L06	Nut	X	1
34	C696-1	CO Detector Assembly (Incl item 29)	X	1
35	NAS1149FN416P	Washer	X	1
36	SR-3535B	Rivet	X	1
37	B181-7	Cover	X	1
38	G054-7	Cluster Panel – Face Assembly (Ref)		
NOTES				

Intentionally Blank

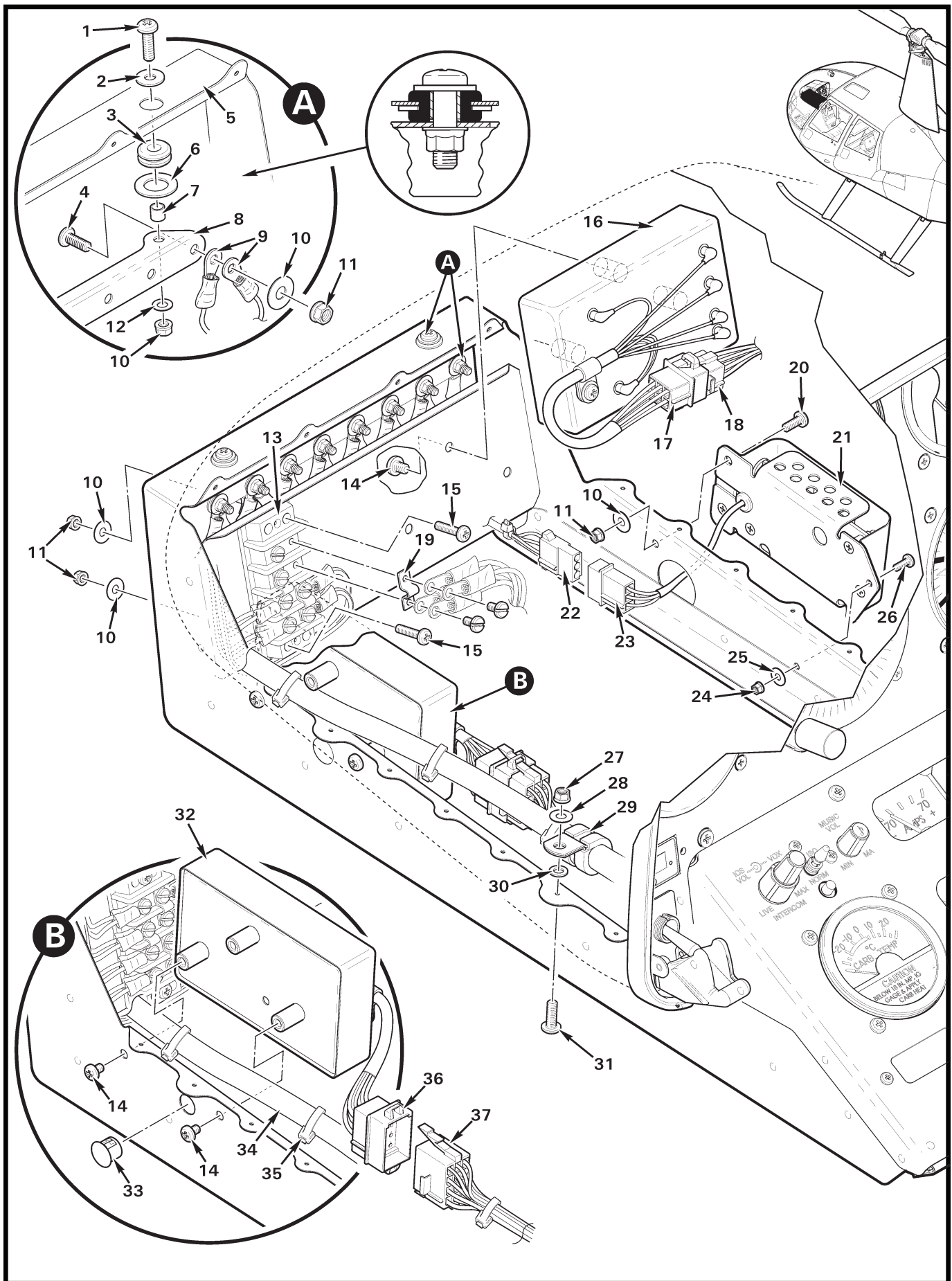


FIGURE AND INDEX NUMBER	PART NUMBER	DESCRIPTION	PARTS AVAIL	QTY PER ASSY
		SIX-INSTRUMENT CONSOLE ASSEMBLY – COMPONENTS		
95-77-1	MS35206-230	Screw	X	2
2	NAS1149FN632P	Washer	X	2
3	MS35489-4	Grommet	X	2
4	B567-25	Screw	X	8
5	G051-12	Shell Assembly – Upper Console (Ref)		
6	NAS1149F0532P	Washer (install in grommet groove; see detail showing parts assembled)	X	2
7	C130-59	Spacer (install in grommet bore; see detail showing parts assembled)	X	2
8	A448-18	Bus Bar	X	1
9	B260-2	Terminal	X	A/R
10	NAS1149FN616P	Washer	X	11
11	MS21042L06	Nut	X	13
12	NAS620-6L	Washer	X	2
13	38TB04	Terminal Block	X	1
14	MS21919WDG7	Screw	X	2
15	MS35206-241	Screw	X	5
16	B395-1	Dimmer Assembly (Incl item 17)	X	1
17	B263-18	Housing	X	1
	B263-1	Pin	X	6
18	B263-19	Housing	X	1
	B263-2	Socket	X	6
19	601985-2	Jumper Tab (or J601)	X	3
20	MS35206-228	Screw	X	1
21	C696-1	Carbon Monoxide Assembly (includes item 23 and wires)	X	1
22	B263-15	Housing	X	1
	B263-2	Socket	X	3
23	B263-14	Housing	X	1
	B263-1	Pin	X	3
24	MS21042L04	Nut	X	1
25	NAS1149FN416P	Washer	X	1
26	MS35206-214	Screw	X	1
27	MS21042L08	Nut	X	1
28	NAS1149FN816P	Washer	X	1
29	MS21919WDG7	Clamp	X	1

NOTES

Continues

FIGURE AND INDEX NUMBER	PART NUMBER	DESCRIPTION	PARTS AVAIL	QTY PER ASSY
SIX-INSTRUMENT CONSOLE ASSEMBLY – COMPONENTS (Cont'd)				
95-77-30	NAS620-8	Washer	X	1
31	MS27039C0807	Screw	X	1
32	A569-6	Low RPM Warning Unit (Incl item 36)	X	1
33	2633	Hole Plug	X	1
34	D716	Harness Assembly (Ref)		
35	MS3367-5-9	Ty-Rap	X	A/R
36	B263-22	Housing	X	1
	B263-1	Pin	X	11
37	B263-23	Housing	X	1
	B263-2	Socket	X	11

NOTES

Intentionally Blank

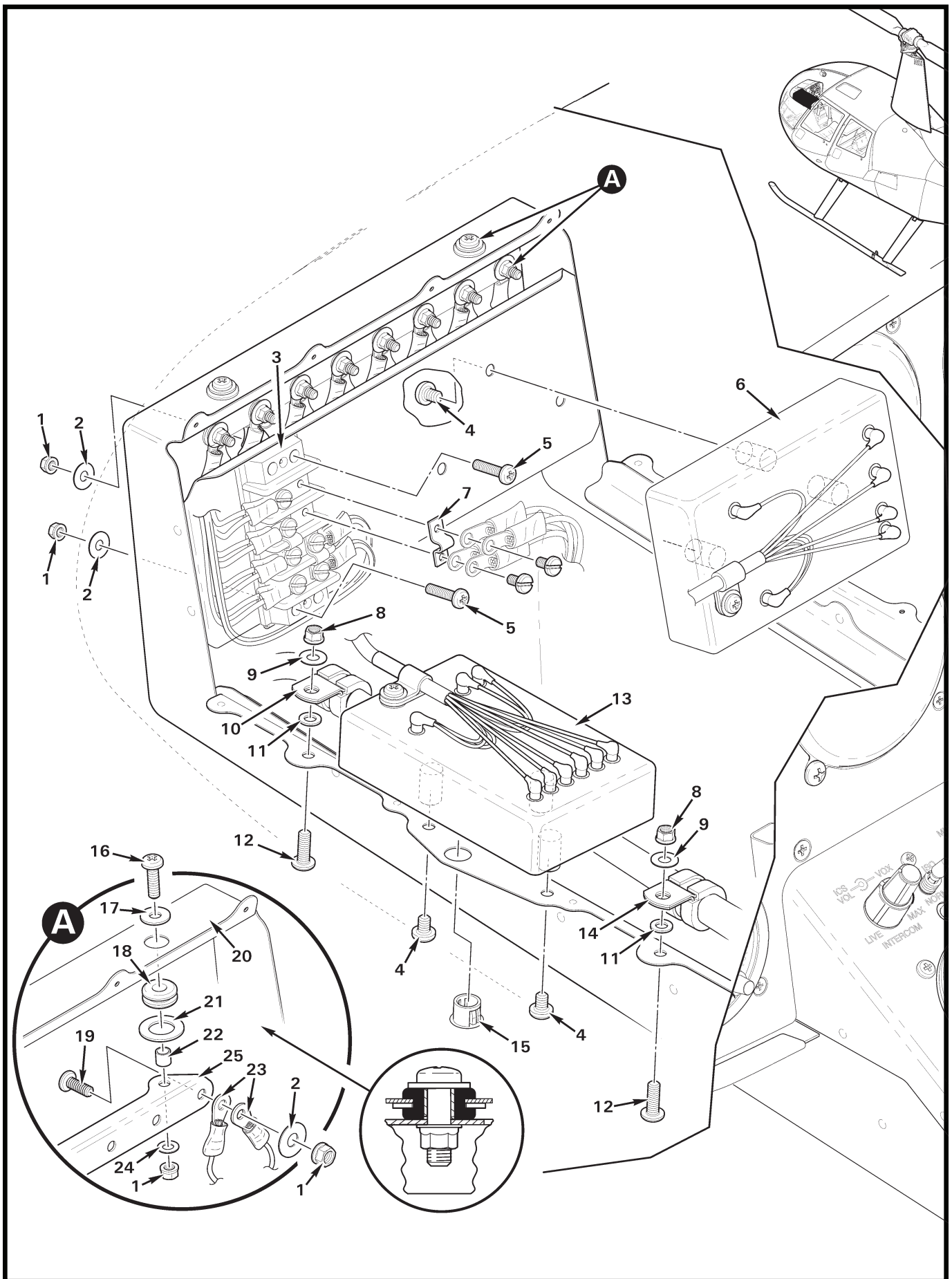


FIGURE AND INDEX NUMBER	PART NUMBER	DESCRIPTION	PARTS AVAIL	QTY PER ASSY
EIGHT-INSTRUMENT CONSOLE ASSEMBLY – COMPONENTS (R44)				
95-81-1	MS21042L06	Nut	X	12
2	NAS1149FN616P	Washer	X	10
3	601716-4	Terminal Block	X	1
4	MS35206-241	Screw	X	5
5	MS35206-231	Screw	X	2
6	B395-1	Dimmer Assembly (includes connector and wires)	X	1
7	601985-2	Jumper Tab	X	3
8	MS21042L08	Nut	X	2
9	NAS1149FN816P	Washer	X	2
10	MS21919WDG6	Clamp	X	1
11	NAS620-8	Washer	X	2
12	MS27039C0807	Screw	X	2
13	A569-6	Low RPM Warning Unit (includes connector and wires)	X	1
14	MS21919WDG7	Clamp	X	1
15	2633	Hole Plug	X	1
16	MS35206-230	Screw	X	2
17	NAS1149FN632P	Washer	X	2
18	MS35489-4	Grommet	X	2
19	B567-25	Screw	X	8
20	G051-7	Shell Assembly – Upper Console (Ref)		
21	NAS1149F0532P	Washer (install in grommet groove; see detail showing parts assembled)	X	2
22	C130-59	Spacer (install in grommet bore; see detail showing parts assembled)	X	2
23	B260-2	Terminal	X	A/R
24	NAS620-6L	Washer	X	2
25	A448-18	Bus Bar (8-hole)	X	1
NOTES				

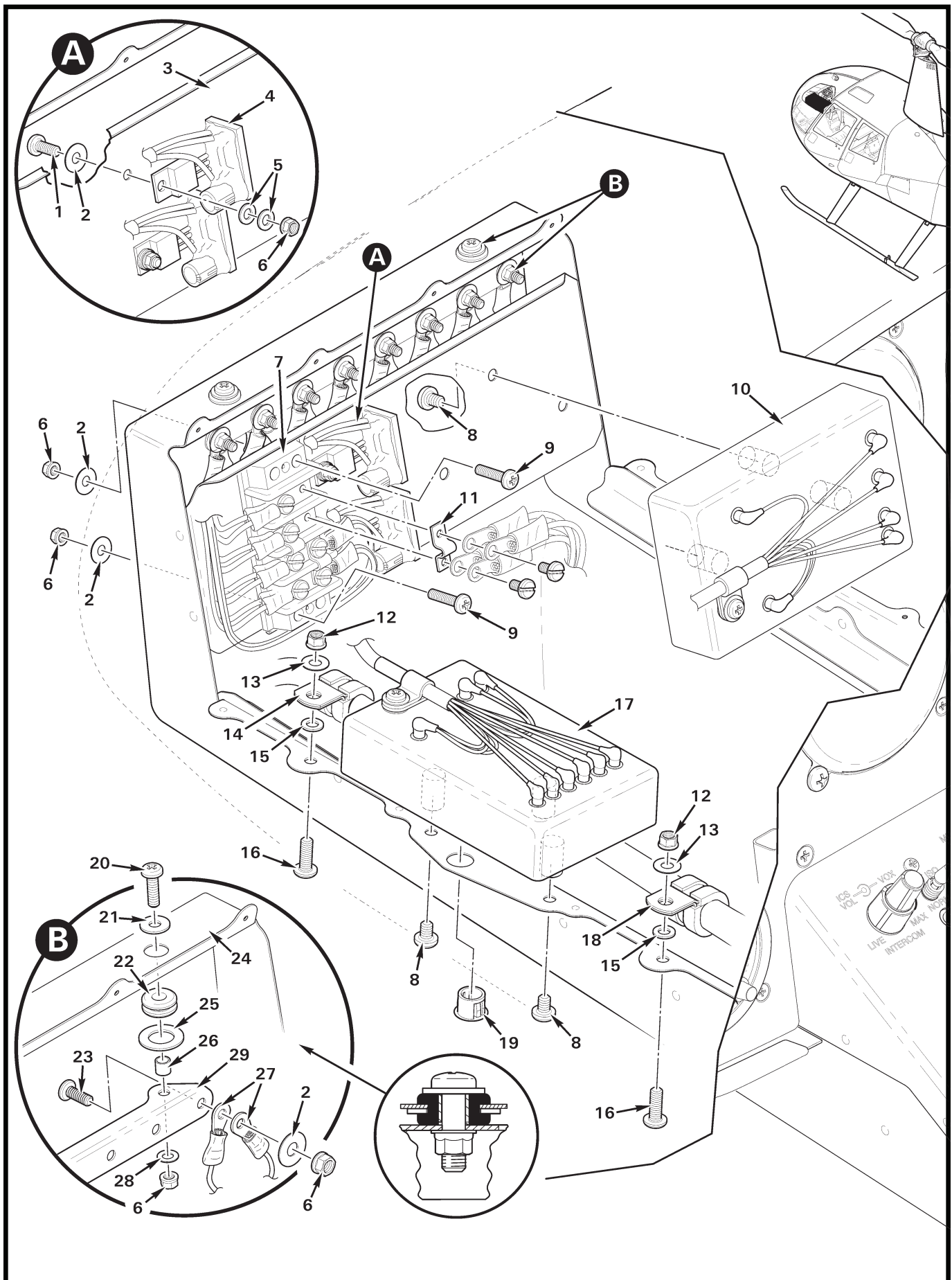


FIGURE AND INDEX NUMBER	PART NUMBER	DESCRIPTION	PARTS AVAIL	QTY PER ASSY
		EIGHT-INSTRUMENT CONSOLE ASSEMBLY – COMPONENTS (R44 II)		
95-83-1	MS35206-228	Screw	X	2
2	NAS1149FN616P	Washer	X	12
3	A365-3	Panel (Ref)		
4	D359-1	Regulator (28V to 14V)	X	2
5	NAS620-6	Washer	X	4
6	MS21042L06	Nut	X	14
7	601716-4	Terminal Block	X	1
8	MS35206-241	Screw	X	5
9	MS35206-231	Screw	X	2
10	B395-1	Dimmer Assembly (includes connector and wires)	X	1
11	601985-2	Jumper Tab	X	3
12	MS21042L08	Nut	X	2
13	NAS1149FN816P	Washer	X	2
14	MS21919WDG6	Clamp	X	1
15	NAS620-8	Washer	X	2
16	MS27039C0807	Screw	X	2
17	A569-9	Low RPM Warning Unit (includes connector and wires)	X	1
18	MS21919WDG7	Clamp	X	1
19	2633	Hole Plug	X	1
20	MS35206-230	Screw	X	2
21	NAS1149FN632P	Washer	X	2
22	MS35489-4	Grommet	X	2
23	B567-25	Screw	X	8
24	G051-8	Shell Assembly – Upper Console (Ref)		
25	NAS1149F0532P	Washer (install in grommet groove; see detail showing parts assembled)	X	2
26	C130-59	Spacer (install in grommet bore; see detail showing parts assembled)	X	2
27	B260-2	Terminal	X	A/R
28	NAS620-6L	Washer	X	2
29	A448-18	Bus Bar (8-hole)	X	1

NOTES

Intentionally Blank