

CHAPTER 92

ELECTRONIC NEWS GATHERING (ENG) VERSION

<u>Figure</u>	<u>Title</u>	<u>Page</u>
92-1	Camera and Gimbal Installation	92.0
92-3	Camera and Gimbal Fairing and Cover	92.2
92-5	Camera and Gimbal Installation	92.4
92-7	Camera and Gimbal Fairing and Cover	92.6
92-9	Micro Camera Installation – Windshield	92.8
92-11	Micro Camera Installation – Mid Cabin	92.10
92-13	Micro Camera Installation – Aft Cabin	92.12
92-15	Micro Camera Installation – Horizontal Stabilizer	92.14
92-17	Aft Monitors Installation	92.16
92-17B	Aft Monitors Installation	92.17A I
92-19	Microwave Antenna Installation	92.18
92-21	Geneva Audio – Pilot Audio Panel	92.20
92-23	Geneva Audio – Co-Pilot Audio Panel	92.22
92-25	Geneva Audio – Aft Audio Panels	92.24
92-27	Geneva Audio – Digital Router	92.26
92-29	Geneva Audio – Transmit Switch	92.28
92-31	Geneva Audio – Backplane Installation	92.30
92-35	Geneva Audio – Backplane Components	92.34
92-37	Forward Monitors Installation	92.36

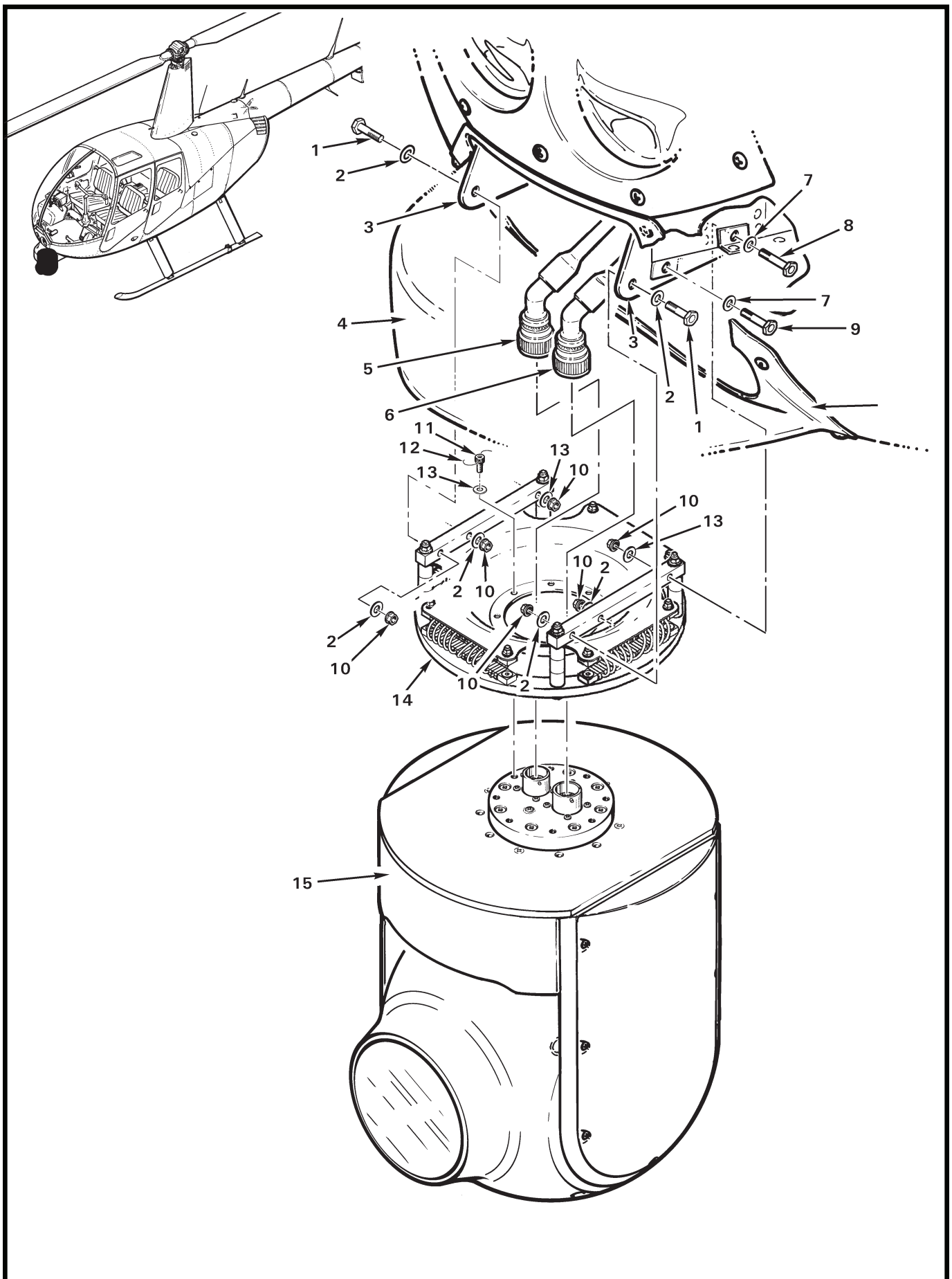


FIGURE AND INDEX NUMBER	PART NUMBER	DESCRIPTION	PARTS AVAIL	QTY PER ASSY
CAMERA AND GIMBAL INSTALLATION				
92-1-1	NAS6604-8	Bolt	X	2
2	NAS1149F0432P	Washer	X	6
3	D349-1	Support	X	2
4	D427-1	Fairing (Ref, see Figure 92-3)		
5	E204-1	Cable (camera)	X	1
6	E195-1	Cable (turret)	X	1
7	A141-11	Washer	X	4
8	NAS6604-12	Bolt	X	2
9	NAS6604-11	Bolt	X	2
10	MS21042L4	Nut	X	6
11	NAS1351-3H6P	Screw	X	8
12	MS20995C32	0.032 in. dia. Safety Wire	X	A/R
13	NAS1149F0332P	Washer	X	8
14	D385-1	Mount Assembly	X	1
15	E001-1	Gimbal Assembly (Ref)		

NOTES

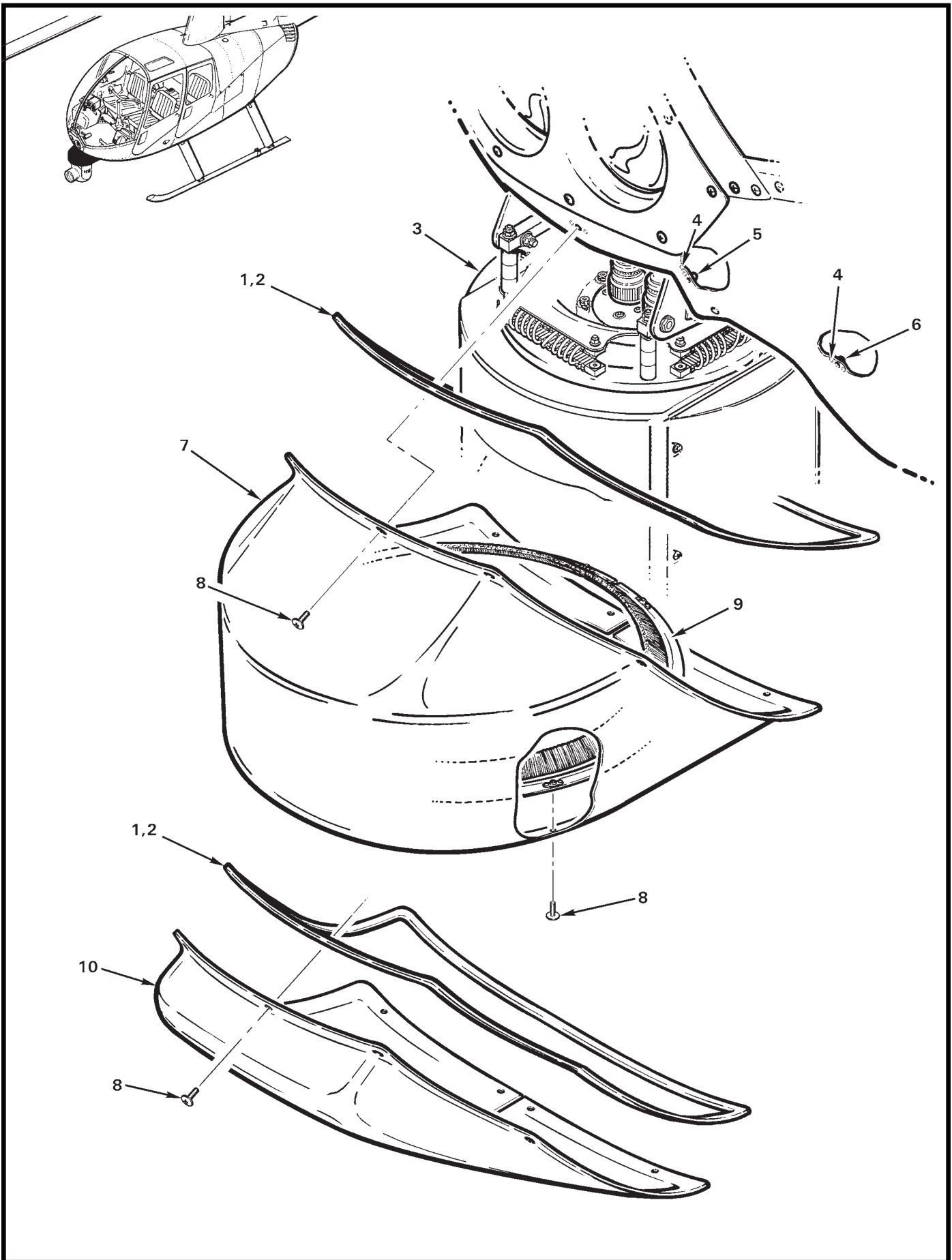


FIGURE AND INDEX NUMBER	PART NUMBER	DESCRIPTION	PARTS AVAIL	QTY PER ASSY
CAMERA AND GIMBAL FAIRING AND COVER				
92-3-1	A226-3	Seal (install using item 2)	X	A/R
2	B270-4	Sealant (silicone)	X	A/R
3	—	Gimbal Assembly (Ref)		
4	NAS1097AD3	Rivet	X	24
5	MS21071L08	Nutplate	X	2
6	MS21069L08	Nutplate	X	10
7	D427-1	Fairing	X	1
8	AN526C832R7	Screw	X	20
9	D351-1	Seal Assembly	X	1
10	D427-2	Cover (for use when item 3 is removed)	X	1

NOTES

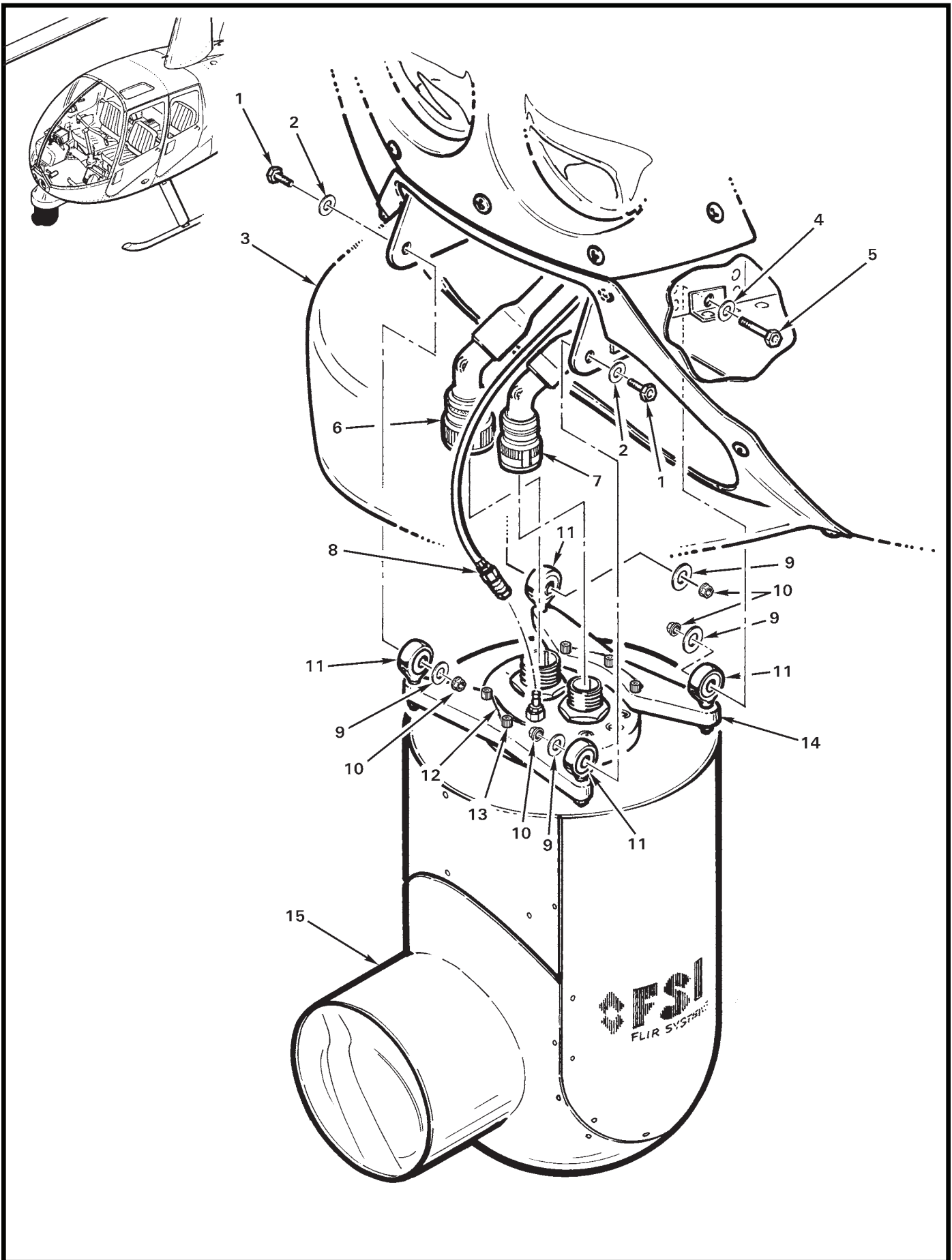


FIGURE AND INDEX NUMBER	PART NUMBER	DESCRIPTION	PARTS AVAIL	QTY PER ASSY
CAMERA AND GIMBAL INSTALLATION				
92-5-1	NAS6604-8	Bolt	X	2
2	NAS1149F0432P	Washer	X	2
3	D347-1	Fairing (Ref, see Figure 92-7)		
4	A141-11	Washer	X	2
5	NAS6604-12	Bolt	X	2
6	24607080-2/100	Cable - Gimbal Control/Power (Ref)		
7	24607070-2/100	Cable - Gimbal Camera (Ref)		
8	—	Tube (Ref, to desiccant canister)		
9	A214-3	Washer	X	4
10	MS21042L4	Nut	X	4
11	D597-1	Rod End (red dot)	X	4
	D597-2	Rod End (yellow dot)	X	4
	D597-4	Rod End (blue dot)	X	4
12	MS20995C32	0.032 in. dia. Safety Wire	X	A/R
13	NAS1351-3H14P	Screw (drilled head)	X	6
14	D558-1	Plate	X	2
15	94001002-1	Gimbal Assembly (Ref, NTSC system)		
	94001002-2	Gimbal Assembly (Ref, PAL system)		

NOTES

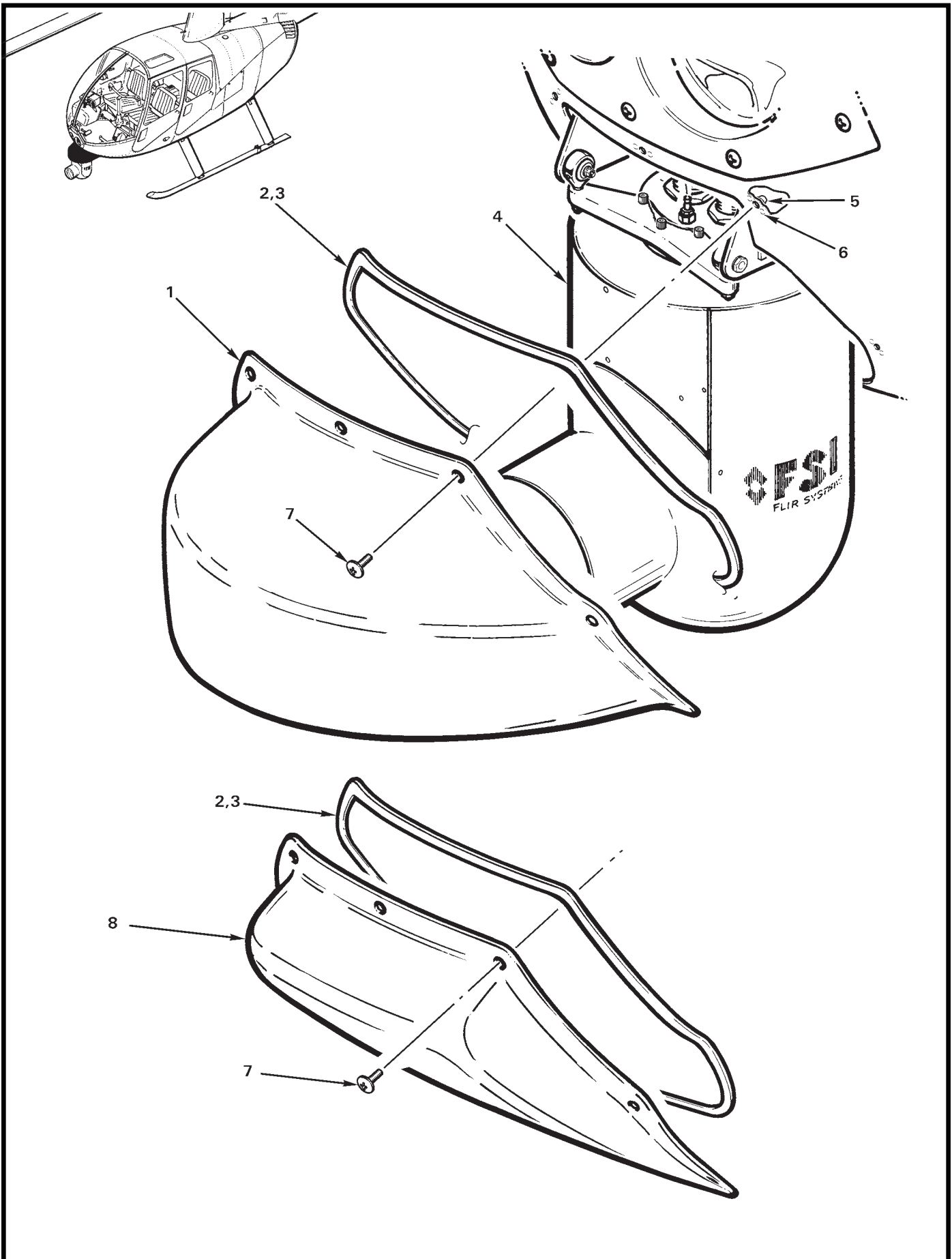


FIGURE AND INDEX NUMBER	PART NUMBER	DESCRIPTION	PARTS AVAIL	QTY PER ASSY
CAMERA AND GIMBAL FAIRING AND COVER				
92-7-1	D347-1	Fairing	X	1
2	A226-3	Seal (install using item 3)	X	A/R
3	B270-4	Sealant (silicone)	X	A/R
4	—	Gimbal Assembly (FSI; Ref)		
5	MS21069L08	Nutplate	X	12
6	MS20426AD3	Rivet	X	24
7	AN526C832R7	Screw	X	12
8	D347-2	Cover (for use when item 4 is removed)	X	1

NOTES

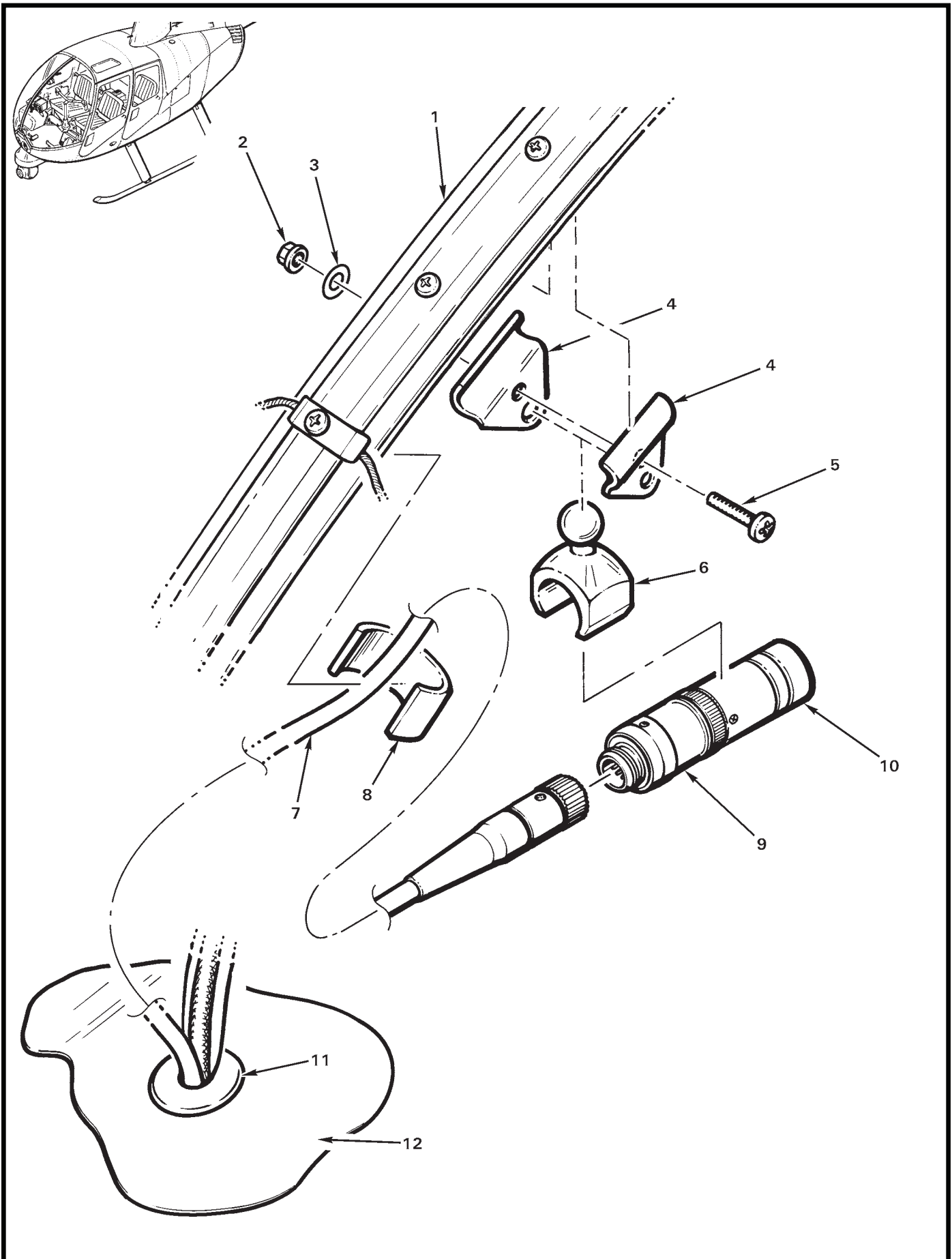


FIGURE AND INDEX NUMBER	PART NUMBER	DESCRIPTION	PARTS AVAIL	QTY PER ASSY
MICRO CAMERA INSTALLATION - WINDSHIELD				
92-9-1	C238	Bow - Windshield (Ref)		
2	MS21042L08	Nut	X	1
3	NAS1149FN816P	Washer	X	1
4	D368-2	Clamp	X	2
5	MS27039C0811	Screw	X	1
6	D368-1	Clip	X	1
7	D572-3	Cable - Camera	X	1
8	D368-6	Clip (as required, 4 maximum)	X	A/R
9	MN43H	Camera	X	1
10	9250	Lens - Camera	X	1
11	MS35489-16	Grommet	X	1
12	B050	Console Assembly (Ref)		

NOTES

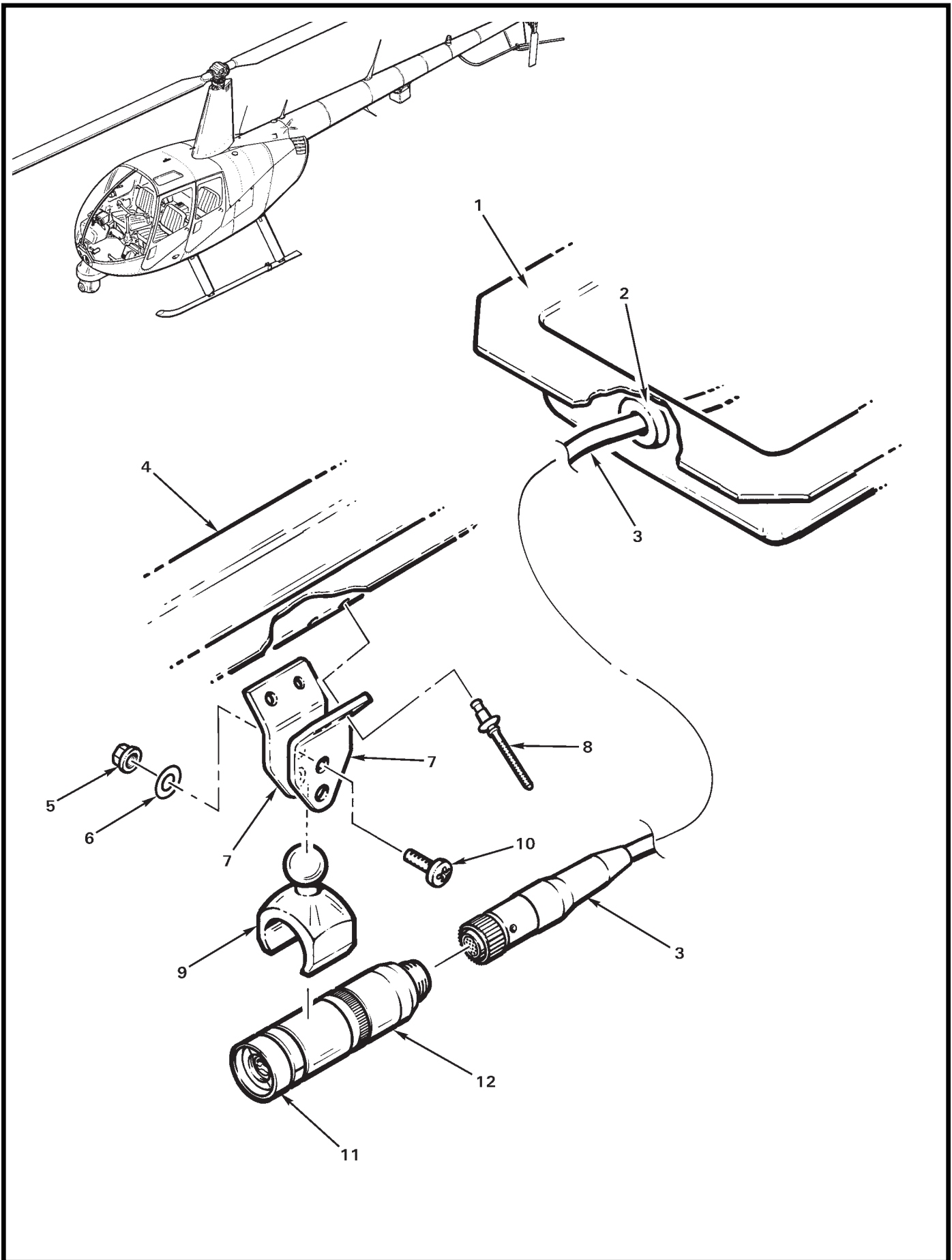


FIGURE AND INDEX NUMBER	PART NUMBER	DESCRIPTION	PARTS AVAIL	QTY PER ASSY
MICRO CAMERA INSTALLATION - MID CABIN				
92-11-1	A712	Cover (Ref)		
2	MS35489-6	Grommet	X	1
3	EMC-03H	Cable - Camera	X	1
4	C238-23	Support (Ref)		
5	MS21042L08	Nut	X	1
6	NAS1149FN816P	Washer	X	1
7	D368-7	Clamp	X	2
8	NAS1919B04S02	Rivet	X	4
9	D368-1	Clip	X	1
10	MS27039C0811	Screw	X	1
11	9264	Lens - Camera	X	1
12	MN43H	Camera	X	1

NOTES

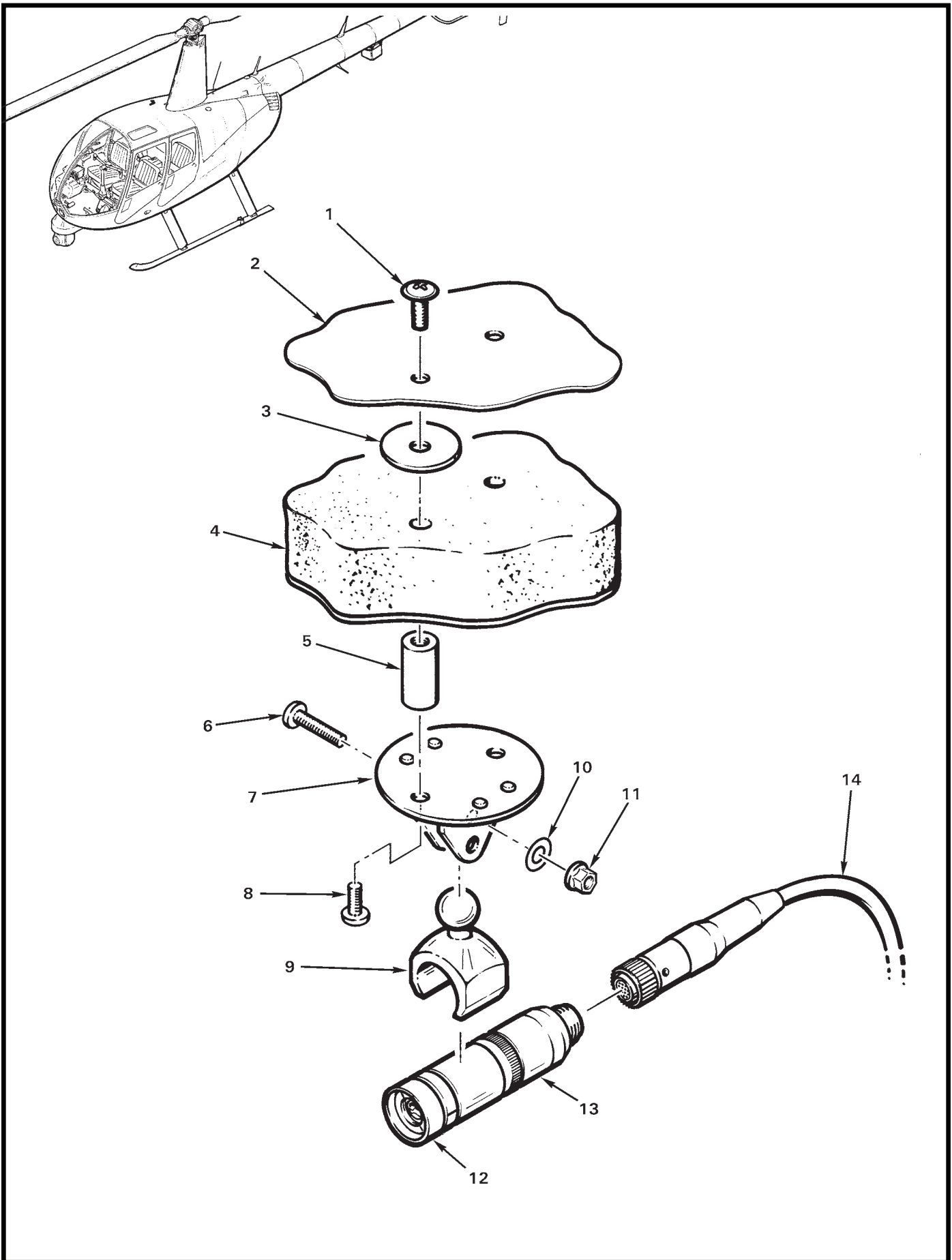


FIGURE AND INDEX NUMBER	PART NUMBER	DESCRIPTION	PARTS AVAIL	QTY PER ASSY
MICRO CAMERA INSTALLATION - AFT CABIN				
92-13-1	AN526C832R7	Screw	X	2
2	—	Panel - Roof (Ref)		
3	AN970-3	Washer	X	2
4	B298	Foam Insulation (Ref)		
5	C710-3	Spacer	X	2
6	MS27039C0810	Screw	X	1
7	D368-3	Mount Assembly	X	1
8	MS27039C0805	Screw	X	2
9	D368-1	Clip	X	1
10	NAS1149FN816P	Washer	X	1
11	MS210421L08	Nut	X	1
12	9250	Lens - Camera	X	1
13	MN43H	Camera	X	1
14	EMC-03H	Cable - Camera	X	1
NOTES				

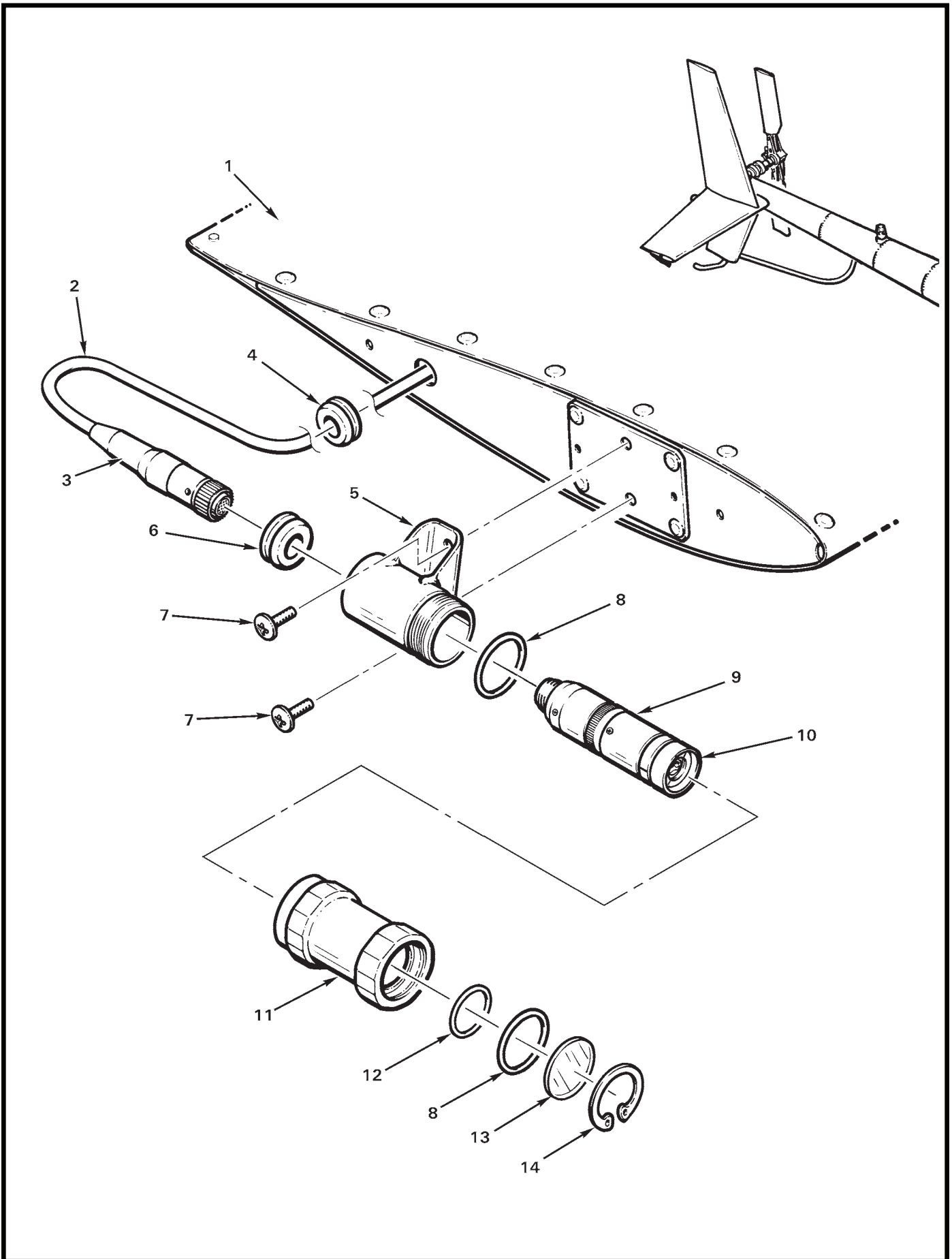


FIGURE AND INDEX NUMBER	PART NUMBER	DESCRIPTION	PARTS AVAIL	QTY PER ASSY
		MICRO CAMERA INSTALLATION* - HORIZONTAL STABILIZER		
92-15-1	D097-11	Stabilizer Assembly - Horizontal (Ref, see Figure 53-33)		
2	D572-4	Cable - Camera (Ref)		
3	B158-6	Heat Shrink	X	A/R
4	MS35489-9	Grommet (Ref)	X	1
5	D397-15	Base Assembly	X	1
6	MS35489-147X	Grommet	X	1
7	AN526C832R7	Screw	X	2
8	A215-017	O-Ring	X	2
9	IK-M44H	Camera (Ref; Contact RHC Technical Support for replacement)		
	MN43H	Camera (for earlier ENG R44s)	X	1
10	9250	Lens	X	1
11	D397-16	Cap	X	1
12	A215-016	O-Ring	X	1
13	A43368	Window	X	1
14	WHT-81-S02	Retaining Ring	X	1

NOTES * Standard defintion camera installation shown.

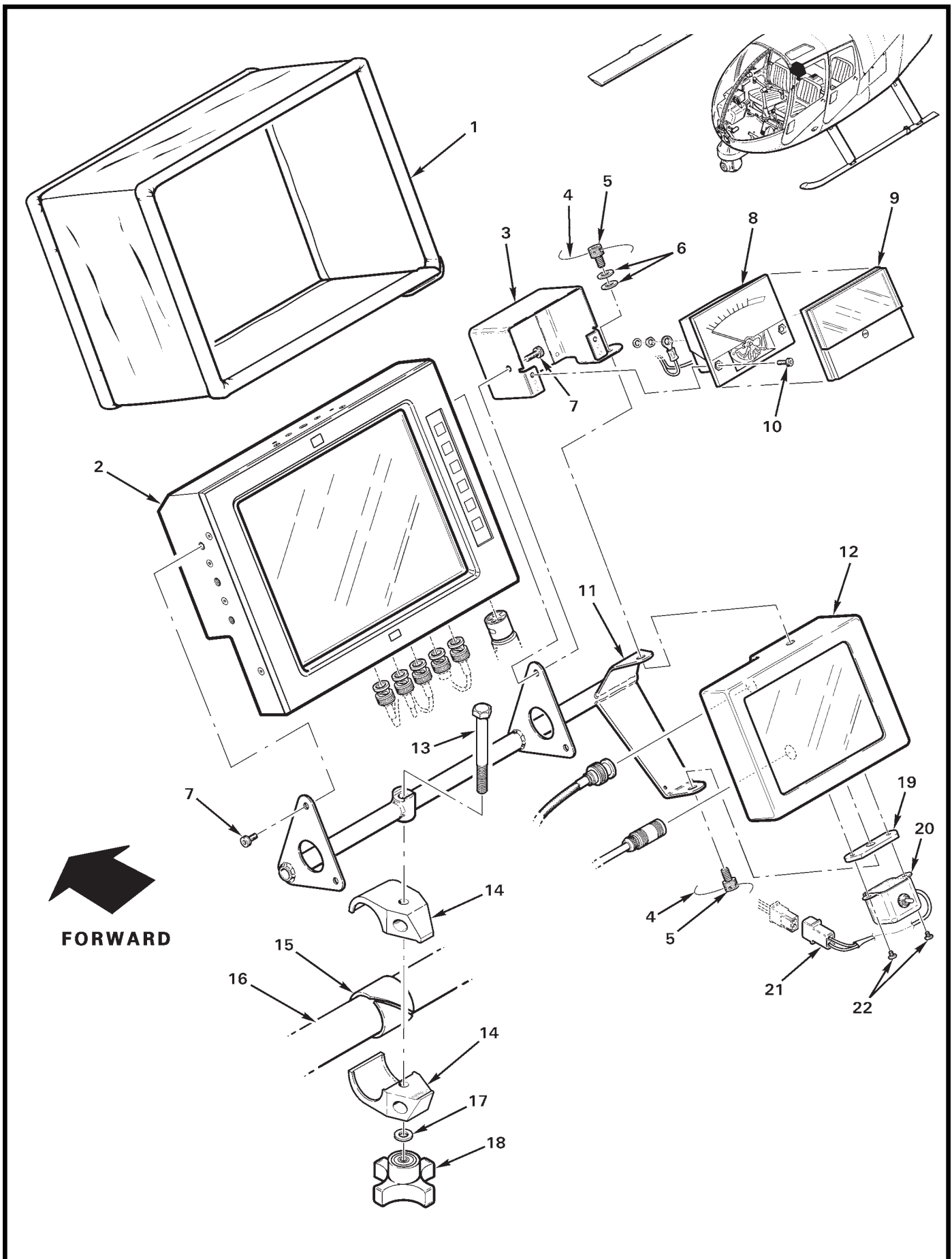


FIGURE AND INDEX NUMBER	PART NUMBER	DESCRIPTION	PARTS AVAIL	QTY PER ASSY
AFT MONITORS INSTALLATION				
92-17-1	9HOOD8S	Hood (8.40 inch, black)	X	1
2	FPM8R300	Monitor (7.00 inch)	X	1
3	D448-5	Box Assembly	X	1
	D448-7*	Box Assembly	X	1
4	MS20995C20	0.020 in. dia. Safety Wire	X	A/R
5	NAS1352-4H6P	Screw	X	16
6	NAS1149F0463P	Washer (one or two, A/R)	X	A/R
7	91290A140	Screw	X	4
8	R5457	VU Meter (analog, vendor part no. 2LLAS-AVU-000-BW-Z; includes item 9)	X	1
9	—	Cover – Meter (Ref)		
10	NAS1352-06H6P	Screw	X	2
11	D444-7	Weldment	X	1
	D444-11*	Weldment	X	1
12	D656-1	Monitor (5.00 inch)	X	1
	D656-2*	Monitor (5.00 inch)	X	1
13	91257A553	Cap Screw	X	1
14	D345-1	Clamp	X	2
15	20L18-D	Bearing	X	1
16	C423-1	Tube – Seat Back (forward; Ref)		
17	NAS1149F0463P	Washer	X	1
18	2830	Knob	X	1
19	D565-7	Mount	X	1
20	D565-5	Switch Assembly	X	1
21	B263-32	Housing (black)	X	1
	B263-1	Pin	X	2
22	MS35206-211	Screw	X	2

NOTES * Not shown. Used with PAL components.

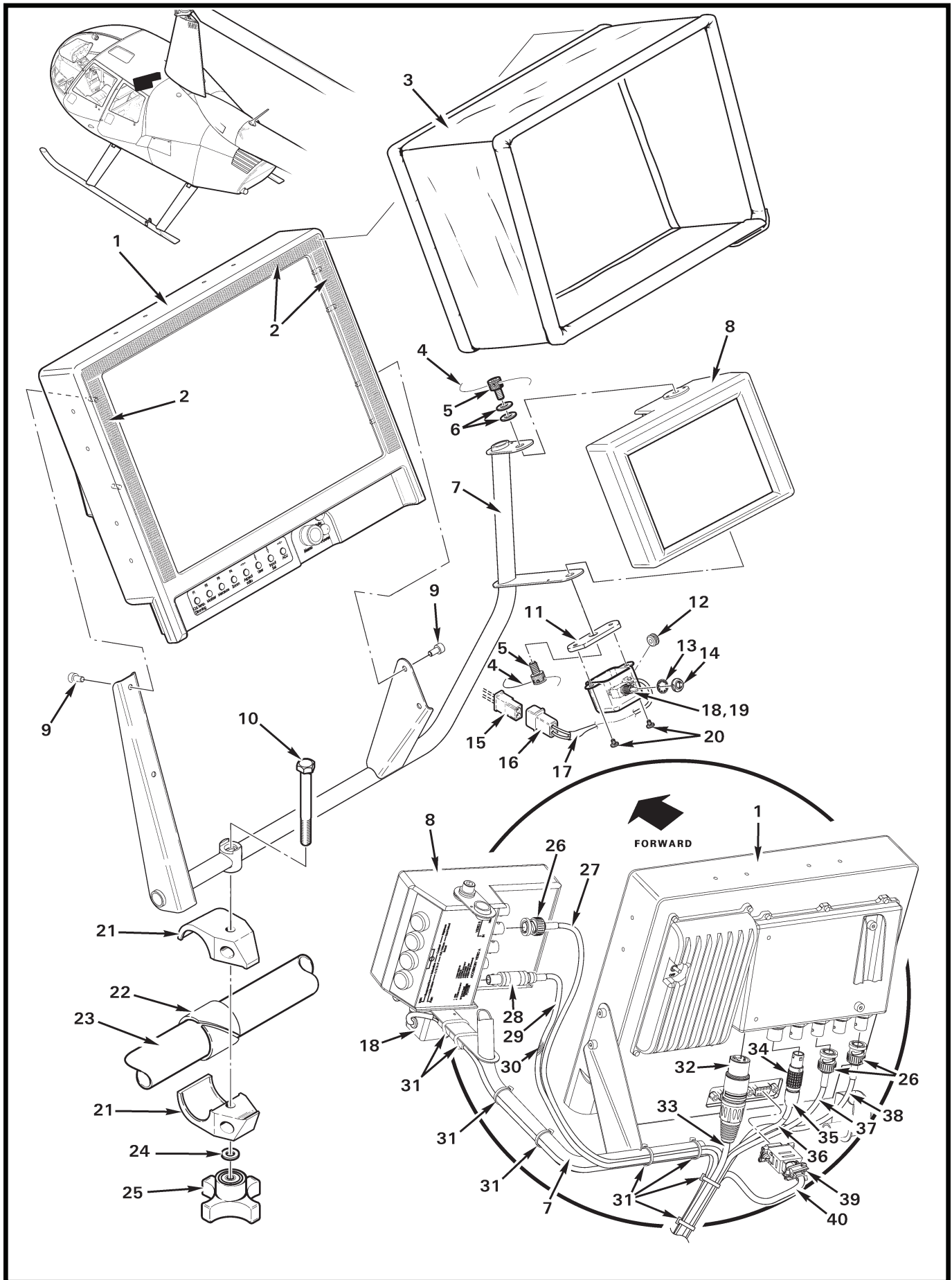


FIGURE AND INDEX NUMBER	PART NUMBER	DESCRIPTION	PARTS AVAIL	QTY PER ASSY
AFT MONITORS INSTALLATION				
92-17B-1	HD10CINEROB	Monitor (10.00 inch)	X	1
2	—	Hook Tape (velcro, self adhesive)	O	1
3	H10R	Visor (Incl item 2)	X	1
4	MS20995C20	0.020 in. dia Safety Wire	X	A/R
5	NAS1352-4H6P	Screw	X	2
6	NAS1149F0463P	Washer (2 maximum)	X	A/R
7	D444-25	Support Weldment	X	1
8	D656-4	Monitor (6.50 inch)	X	1
9	91290A140	Screw	X	4
10	91257A553	Cap Screw	X	1
11	D565-7	Mount	X	1
12	MS35489-1	Grommet	X	1
13	—	Lockwasher	X	1
14	B227-4	Dress Nut	X	1
15	B263-33	Housing	X	1
	B263-2	Socket	X	2
16	B263-32	Housing	X	1
	B263-1	Pin	X	2
17	B158-2	Heat Shrink	X	A/R
18	D565-5	Switch Assembly (Incl items 12, 16, 17, and 19)	X	1
19	B300-3	Switch (Incl items 13 and 14)	X	1
20	MS35206-211	Screw	X	2
21	D345-1	Clamp	X	2
22	20L18-D	Bearing	X	1
23	C423-1	Tube Weldment (Ref, forward seat backs)		
24	NAS1149F0463P	Washer	X	1
25	2830	Knob	X	1
26	2065-11-9	Plug (or 2025-47-9; BNC)	X	2
27	D059-1835	Wire (Ref; "COMPOS IN")		
28	FFAIS302CLAC57	Connector	X	1
	B158-1	Heat Shrink (not shown)	X	A/R
	B267-2	Terminator (not shown)	X	2

NOTES

Continues

FIGURE AND INDEX NUMBER	PART NUMBER	DESCRIPTION	PARTS AVAIL	QTY PER ASSY
AFT MONITORS INSTALLATION (Cont'd)				
92-17B-29	D059-909	Wire (Ref)		
	D059-976	Wire (Ref)		
30	B266-4	Sleeving	X	A/R
31	MS3367-4-0	Ty-rap (black)	X	A/R
32	NC4FX	Plug	X	1
	B158-2	Heat Shrink (not shown)	X	A/R
	B267-2	Terminator (not shown)	X	2
33	D059-897	Wire (Ref)		
	D059-975	Wire (Ref)		
34	FGG1B308CLAD62	Plug	X	1
	2843/19	Wire (drain; not shown)	O	1
35	B158-8	Heat Shrink (1.50-inch length)	X	1
36	D059-1622	Wire (Ref)		
	D059-1623	Wire (Ref)		
	D059-1624	Wire (Ref)		
37	D059-760	Wire (Ref; SDI 1)		
38	D059-765	Wire (Ref; SDI 2)		
39	B269-1	Plug (9-pin)	X	1
	B269-21	Backshell	X	1
40	D059-2350	Wire (Ref)		
	D059-2351	Wire (Ref)		
	D059-2352	Wire (Ref)		

NOTES

Intentionally Blank

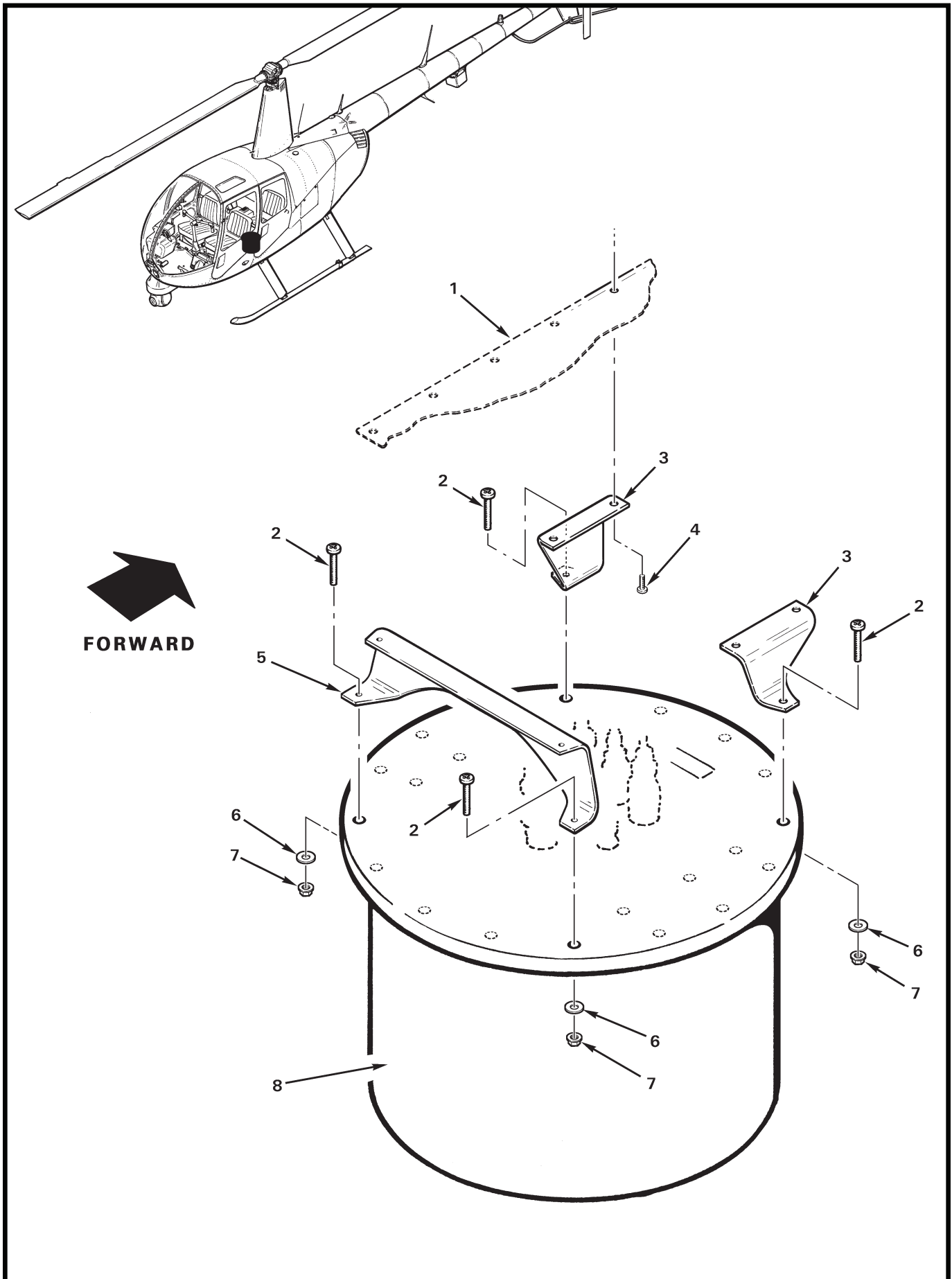


FIGURE AND INDEX NUMBER	PART NUMBER	DESCRIPTION	PARTS AVAIL	QTY PER ASSY
MICROWAVE ANTENNA INSTALLATION				
92-19-1	C794	Panel Assembly (Ref)		
2	MS27039C1-15	Screw	X	4
3	D586-3	Bracket (PA8, Auto-Pod-2 pod antenna)	X	2
	D586-5	Bracket (PA16)	X	2
4	MS27039C0807	Screw	X	6
5	D586-4	Bracket (PA8, Auto-Pod-2 pod antenna)	X	1
	D586-6	Bracket (PA16)	X	1
6	NAS1149F0316P	Washer	X	4
7	MS21042L3	Nut	X	4
8	PA8*	Antenna – Microwave (Ref, not shown)		
	PA16*	Antenna – Microwave (Ref, not shown)		
	Auto-Pod-2**	Antenna – Microwave (2 GHz; Ref, older ships)		

NOTES * Peak Antennas part no.
 ** Microwave Radio Communications part no.

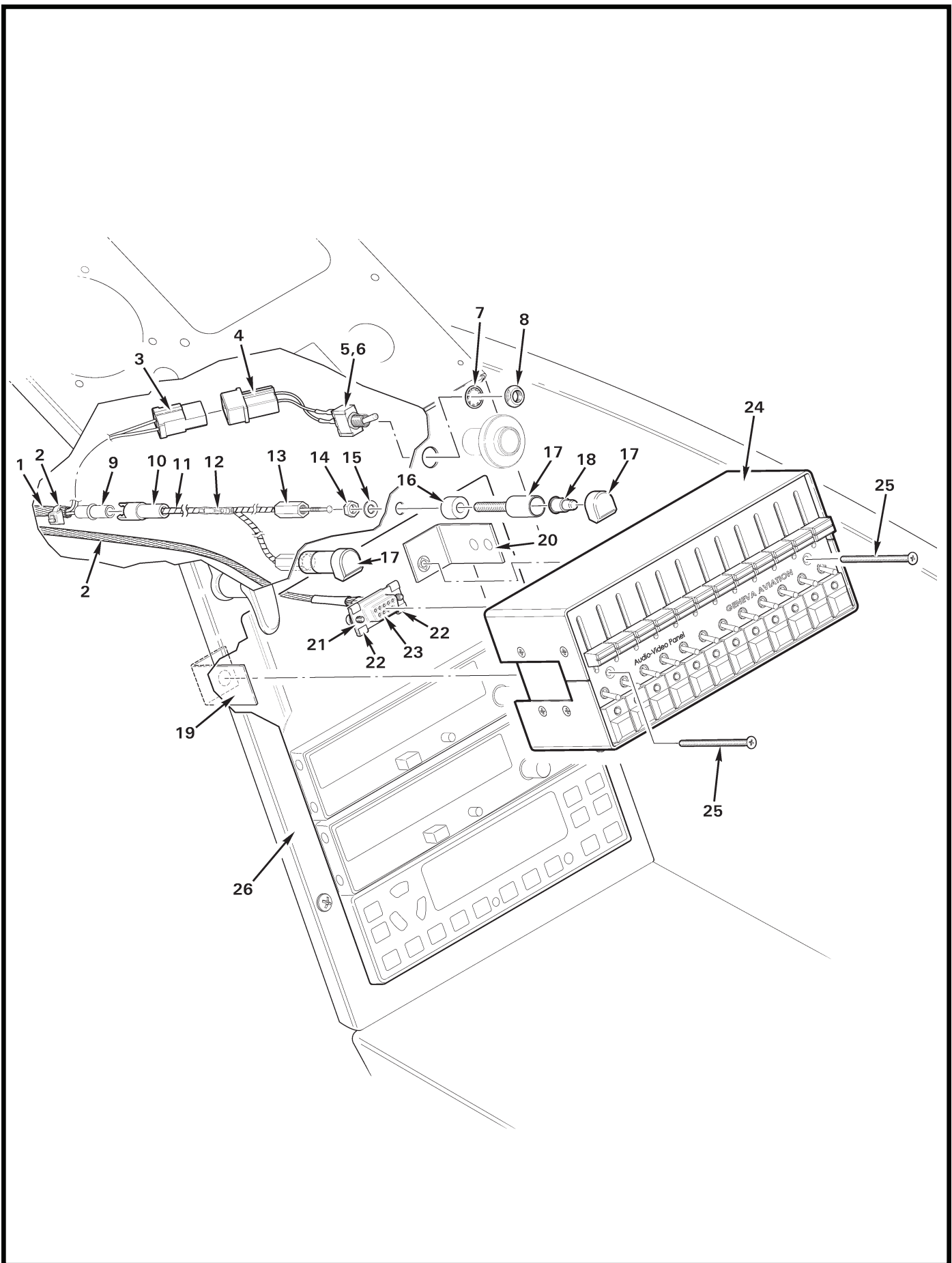


FIGURE AND INDEX NUMBER	PART NUMBER	DESCRIPTION	PARTS AVAIL	QTY PER ASSY
		GENEVA AUDIO - PILOT AUDIO PANEL		
92-21-1	B266-4	Sleeving	X	A/R
2	MS3367-5-9	Ty-Rap	X	A/R
3	B263-13	Housing	X	1
	B263-2	Socket	X	2
4	B263-12	Housing	X	1
	B263-1	Pin	X	2
5	B049-4	Switch Assembly (includes items 4 and 6)	X	1
6	B300-1	Switch Assembly (Incl items 7 and 8)	X	1
7	B227-3	Lockwasher	X	1
8	B227-4	Dress Nut	X	1
9	B263-11	Housing (Ref)	X	1
	B263-2	Socket	X	1
10	1-480350-0	Housing (Ref)		
11	B161-2	Spirap	X	A/R
12	B261-2	Wire Splice	X	1
13	—	Connector Nut (Ref)		
14	—	Nut	O	1
15	—	Lockwasher	O	1
16	A130-33	Spacer	X	2
17	B195-16	Post Light Assembly (Incl items 13 thru 16, and 18)	X	2
18	327	Lamp (28-volt)	X	1
19	D579-5	Bracket (LH, Ref)		
20	D579-6	Bracket (RH, Ref)		
21	B269-21	Backshell	X	1
22	B269-31	Male Screw Lock	X	2
23	B269-4	Receptacle	X	1
24	D579-8	Audio Panel (pilot; includes item 25)	X	1
25	—	Screw	O	1
26	D225-10	Face Assembly	X	1

NOTES

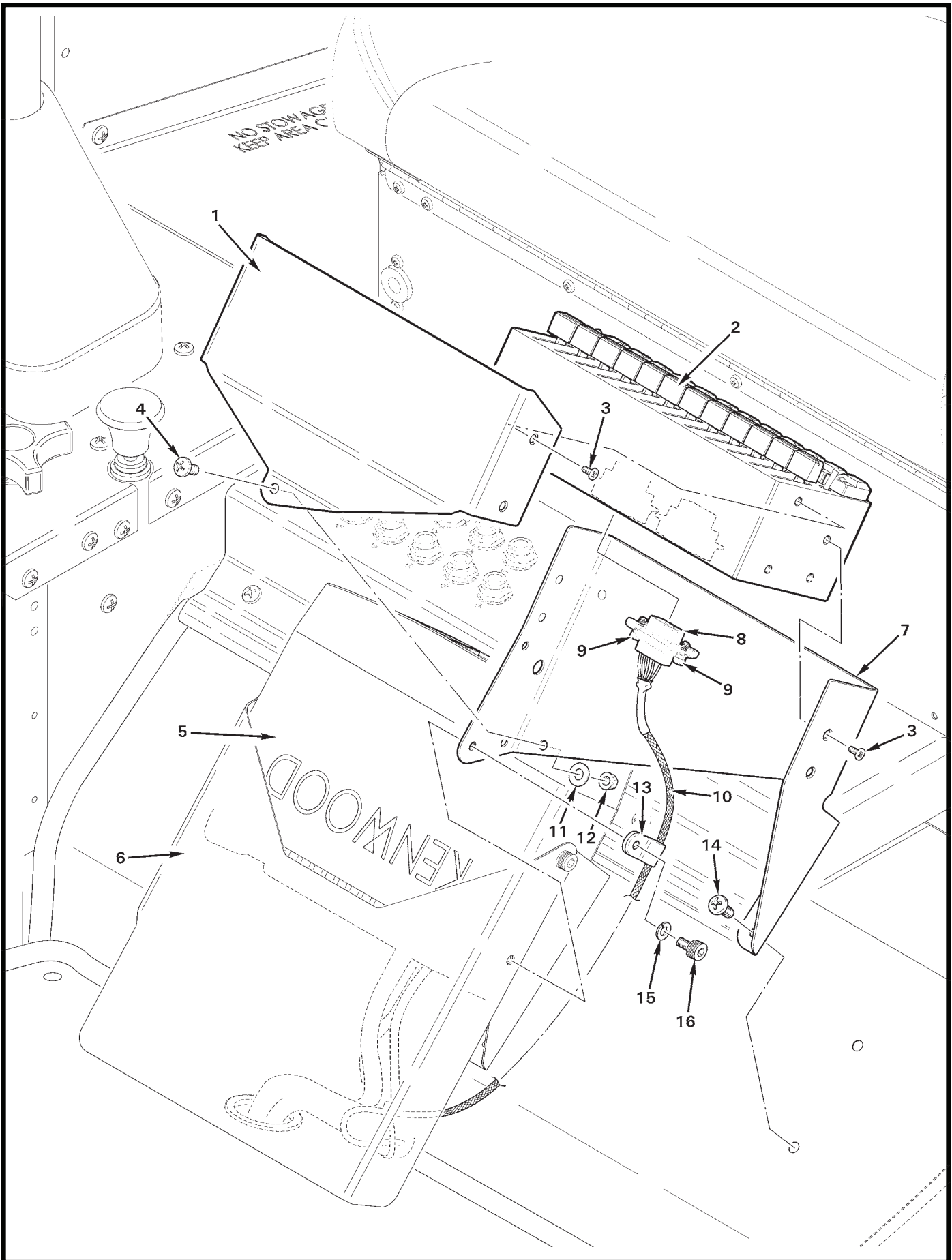


FIGURE AND INDEX NUMBER	PART NUMBER	DESCRIPTION	PARTS AVAIL	QTY PER ASSY
GENEVA AUDIO - CO-PILOT AUDIO PANEL				
92-23-1	D557-2	Cover	X	1
2	D579-7	Audio Panel (Incl item 3)	X	1
3	—	Screw	O	8
4	MS27039C0805	Screw	X	1
5	A824	FM Transceiver (Ref)		
6	D651-15	Guard (Ref)		
7	D592-1	Mount	X	1
8	B269-4	Receptacle	X	2
9	B269-31	Screw Lock (male)	X	2
10	B266-4	Sleeving	X	A/R
11	NAS1149FN816P	Washer	X	1
12	MS21042L08	Nut	X	1
13	7622	Clamp	X	1
14	MS27039C0806	Screw	X	2
15	—	Lockwasher (Ref, included with item 5)		
16	—	Screw (Ref, included with item 5)		

NOTES

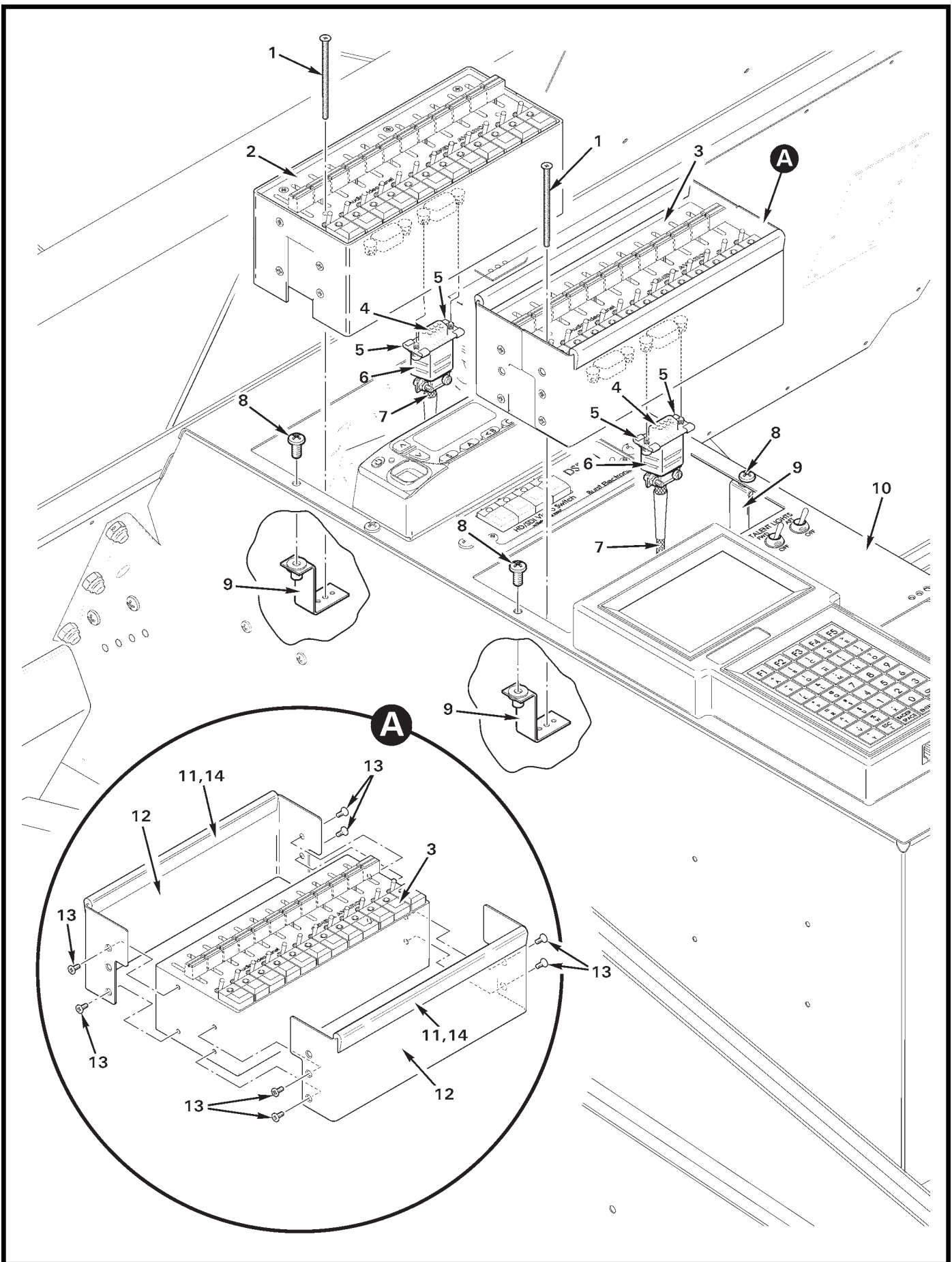


FIGURE AND INDEX NUMBER	PART NUMBER	DESCRIPTION	PARTS AVAIL	QTY PER ASSY
GENEVA AUDIO - AFT AUDIO PANELS				
92-25-1	—	Screw	O	2
2	D579-7	Audio Panel (photo, includes item 1)	X	1
3	D579-9	Audio Panel (microwave, includes items 1 and 13)	X	1
4	B269-4	Receptacle	X	1
5	B269-31	Screw Lock (male)	X	2
6	B269-21	Backshell	X	1
7	B266-4	Sleeving	X	A/R
8	MS27039C0806	Screw	X	4
9	D344-4	Angle Assembly	X	4
10	D383-5	Face (aft cabin console, Ref)		
11	4869A1	Molding (install using item 14)	X	A/R
12	D557-4	Cover Assembly (Incl item 11)	X	2
13	—	Screw	O	8
14	B270-4	Adhesive (or B270-13)	X	A/R

NOTES

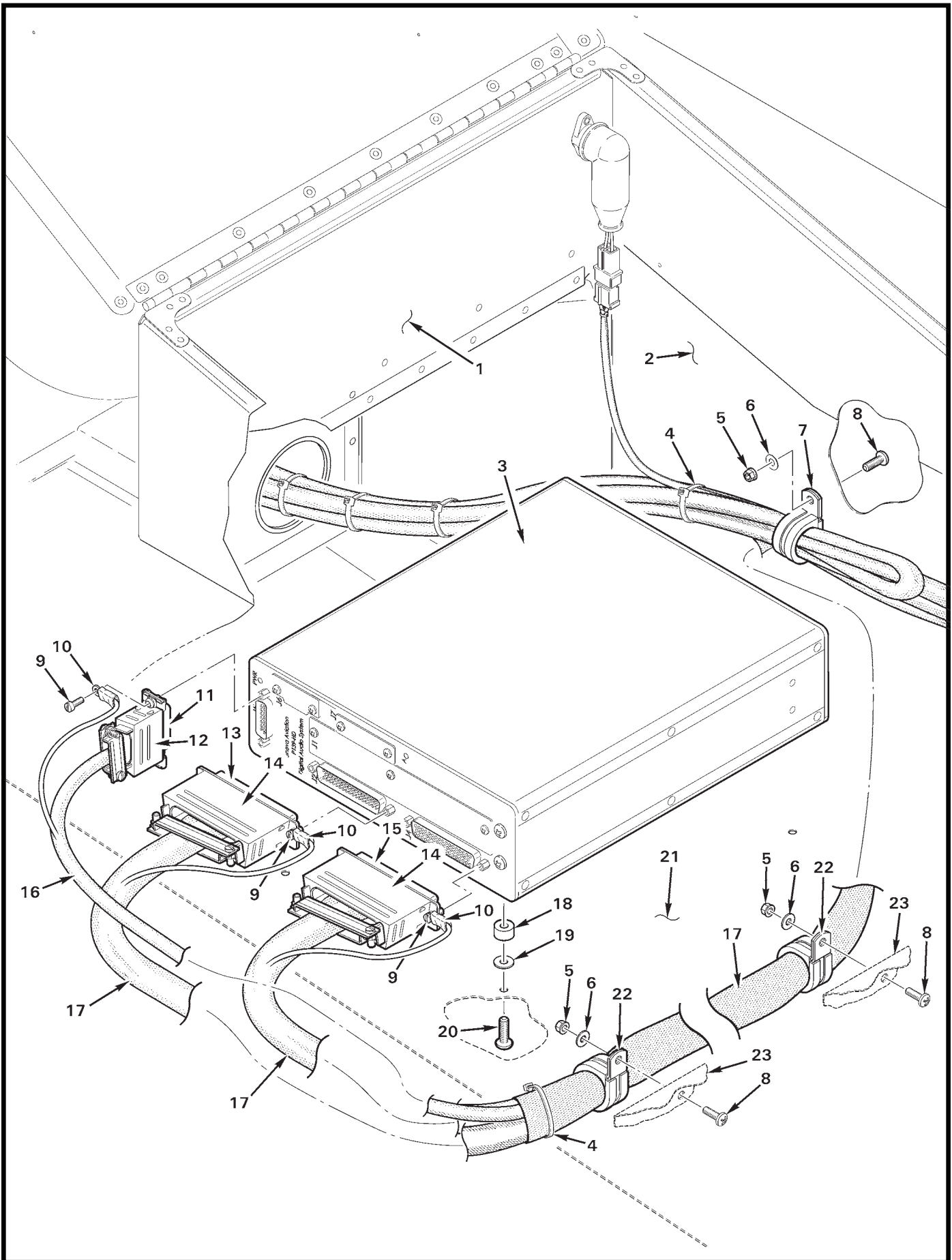


FIGURE AND INDEX NUMBER	PART NUMBER	DESCRIPTION	PARTS AVAIL	QTY PER ASSY
GENEVA AUDIO - DIGITAL ROUTER				
92-27-1	C297	Seat Support Assembly (LH Ref)		
2	C293-3	Keel Panel (LH, Ref)		
3	G13000	Router (P139HD Digital)	X	1
4	MS3367-5-0	Ty-Rap (black)	X	A/R
5	MS21042L08	Nut	X	3
6	NAS1149FN816P	Washer	X	3
7	MS21919WDG12	Clamp	X	1
8	MS27039C0806	Screw	X	3
9	—	Screw	O	2
10	B260-1	Terminal	X	3
11	B269-6	Receptacle	X	1
	B267-2*	Terminator	X	3
12	B269-22	Backshell	X	1
13	B269-20	Receptacle	X	1
	B267-3*	Terminator	X	12
14	B269-25	Backshell	X	2
15	B269-19	Plug	X	1
	B267-3*	Terminator	X	14
16	B266-4	Sleeving	X	A/R
17	B266-8	Sleeving	X	A/R
18	C130-50	Spacer	X	4
19	NAS1149F0332P	Washer	X	4
20	MS27039C1-10	Screw	X	4
21	C272	Chin (Ref)		
22	MS21919WDG14	Clamp	X	2
23	C390-5	Panel (LH, Ref)		

NOTES * Not shown.

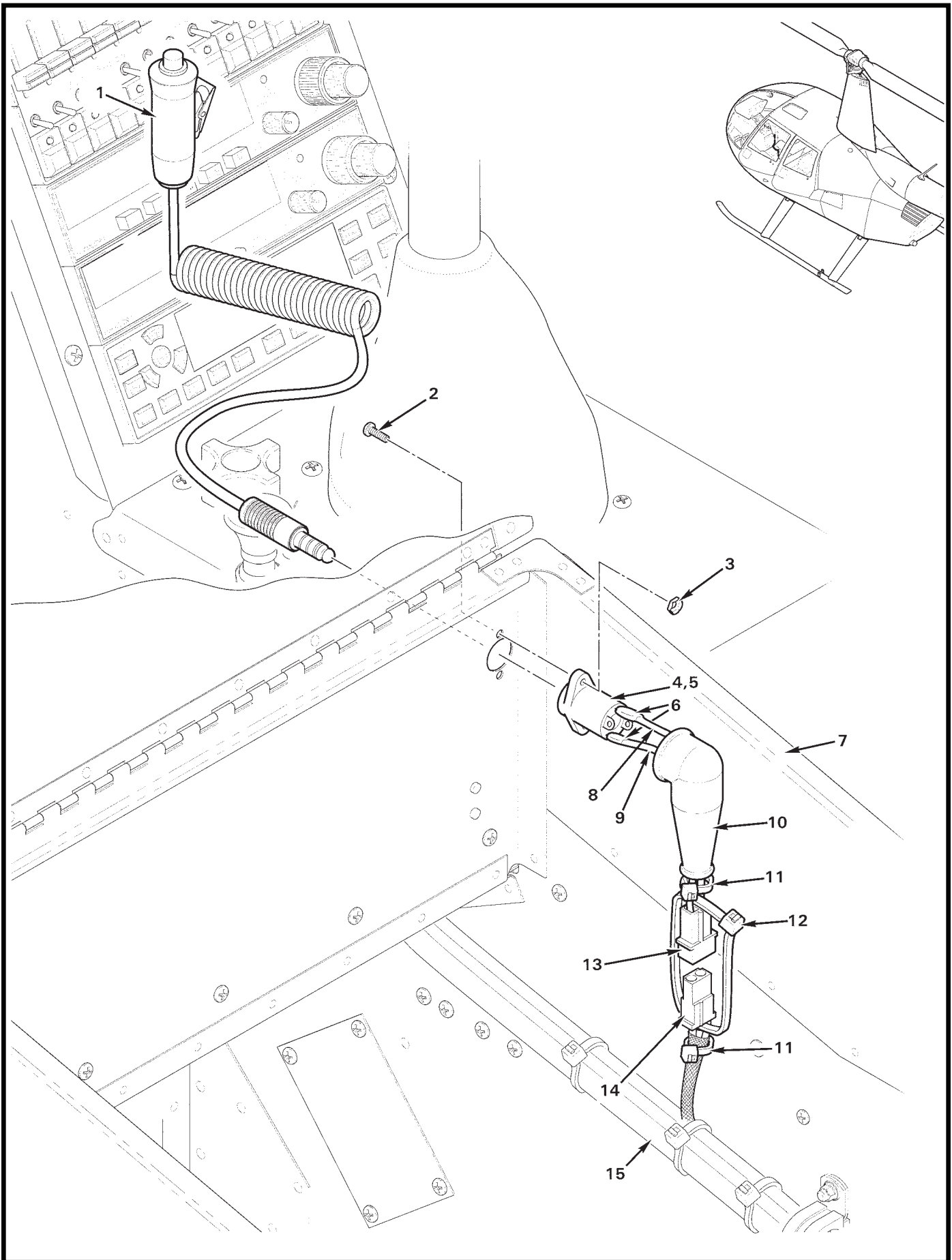


FIGURE AND INDEX NUMBER	PART NUMBER	DESCRIPTION	PARTS AVAIL	QTY PER ASSY
GENEVA AUDIO - TRANSMIT SWITCH				
92-29-1	B121-1	Transmit Switch Assembly	X	1
2	MS35206-215	Screw	X	2
3	B330-2	Palnut	X	2
4	C060-5	Transmit Switch Assembly (Includes items 1 thru 3, 5, 6, and 8 thru 14.)	X	1
5	TJ-120	Jack	X	1
6	B158-3	Heat Shrink	X	A/R
7	C297-5	Seat Support (Ref)		
8	- 162	Wire	X	1
9	- 163	Wire	X	1
10	MS25171-2S	Nipple	X	1
11	MS3367-4-9	Ty-Rap	X	A/R
12	MS3367-5-0	Ty-Rap	X	A/R
13	B263-12	Housing	X	1
	B263-1	Pin	X	2
14	B263-13	Housing	X	1
	B262-2	Socket	X	2
15	D059	Wire Harness (Ref)		

NOTES

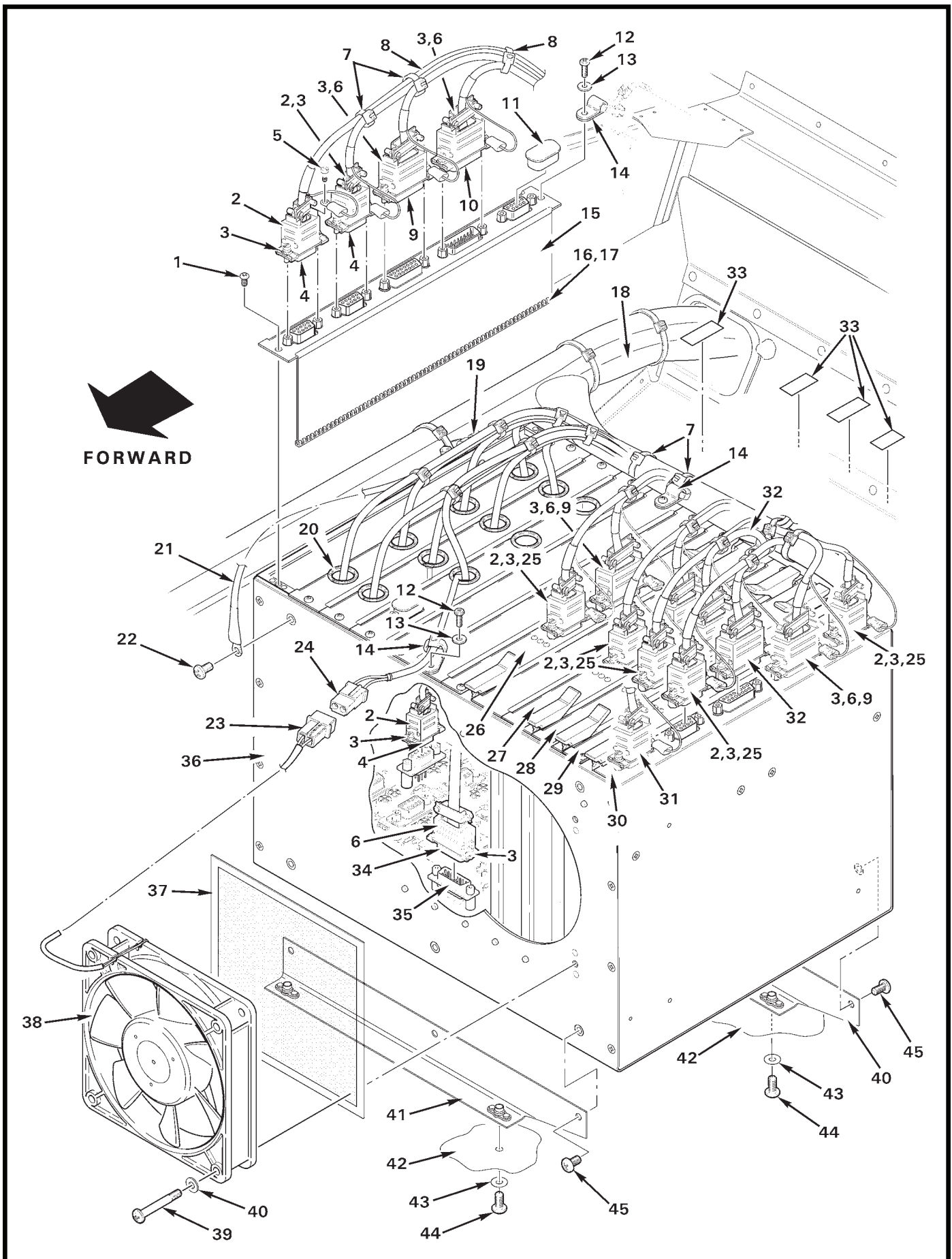


FIGURE AND INDEX NUMBER	PART NUMBER	DESCRIPTION	PARTS AVAIL	QTY PER ASSY
GENEVA AUDIO - BACKPLANE INSTALLATION				
92-31-1	—	Screw (Ref, Incl with item 36)	O	17
2	B269-21	Backshell	X	16
3	B269-31	Male Screw Lock (Incl item 5)	X	2
4	B269-3	Plug (9-pin)	X	11
5	—	Screw	O	2
6	B269-22	Backshell	X	5
7	MS3367-5-9	Ty-Rap	X	A/R
8	B161-4	Spirap	X	A/R
9	B269-8	Receptacle	X	4
10	B269-7	Plug (15-pin)	X	1
11	DE-60-20	Cover	X	A/R
12	MS35206-215	Screw	X	5
13	NAS1149FN432P	Washer	X	5
14	7622	Clamp	X	5
15	G11430	Audio Expander Board (Incl items 16 and 17)	X	1
16	MS21266-1N	Grommet (install using item 17)	X	A/R
17	B270-8	Adhesive (or B270-14)	X	A/R
18	D059-1	Harness Assembly (Ref)		
19	MS21919WDG2	Clamp (Ref, see Figure 90-35)		
20	—	Grommet	O	11
21	—	Wire (no. 1140, ground; Ref)		
22	MS27039C0805	Screw	X	1
23	B263-12	Housing	X	1
	B263-1	Pin	X	2
24	B263-13	Housing	X	1
	B263-2	Socket	X	2
25	B269-4	Receptacle (9-socket)	X	5
26	G11428	Microwave Audio Control Board	X	1
27	G11428	Photo Audio Control Board	X	1
28	G11428	Co-pilot Audio Control Board	X	1
29	G11428	Pilot Audio Control Board	X	1

NOTES

Continues

FIGURE AND INDEX NUMBER	PART NUMBER	DESCRIPTION	PARTS AVAIL	QTY PER ASSY
GENEVA AUDIO - BACKPLANE INSTALLATION (Cont'd)				
92-31-30	G11430	Com Direct Board	X	1
31	D393-4	Harness Assembly (item 30 "J1" connector-to-backplane attenuator "J1")	X	1
32	D393-2	Harness Assembly (item 30 "J3" connector-to-item 29 "J2" connector)	X	1
33	C654-35	Decal ("M/WAVE, PHOTO, COPILOT, and PILOT"; one label) . .	X	1
34	B269-6	Receptacle (15-socket; to backplane power connector [item 35])	X	1
35	—	Backplane "Power" Connector (Ref)		
36	D579-2	Backplane (STD MIC, includes items 1 and 45; Ref)		
	D579-3	Backplane (HOT MIC, includes items 1 and 45; Ref)		
37	D578-1	Screen Assembly	X	1
38	D580-1	Fan Assembly (Incl item 23)	X	1
39	MS27039C0821	Screw	X	4
40	NAS1149FN832P	Washer	X	4
41	D429-4	Bracket Assembly	X	2
42	F272	Chin (Ref)		
43	NAS1149FN816P	Washer	X	4
44	MS27039C0806	Screw	X	4
45	—	Screw (included with item 36)	O	4

NOTES

Intentionally Blank

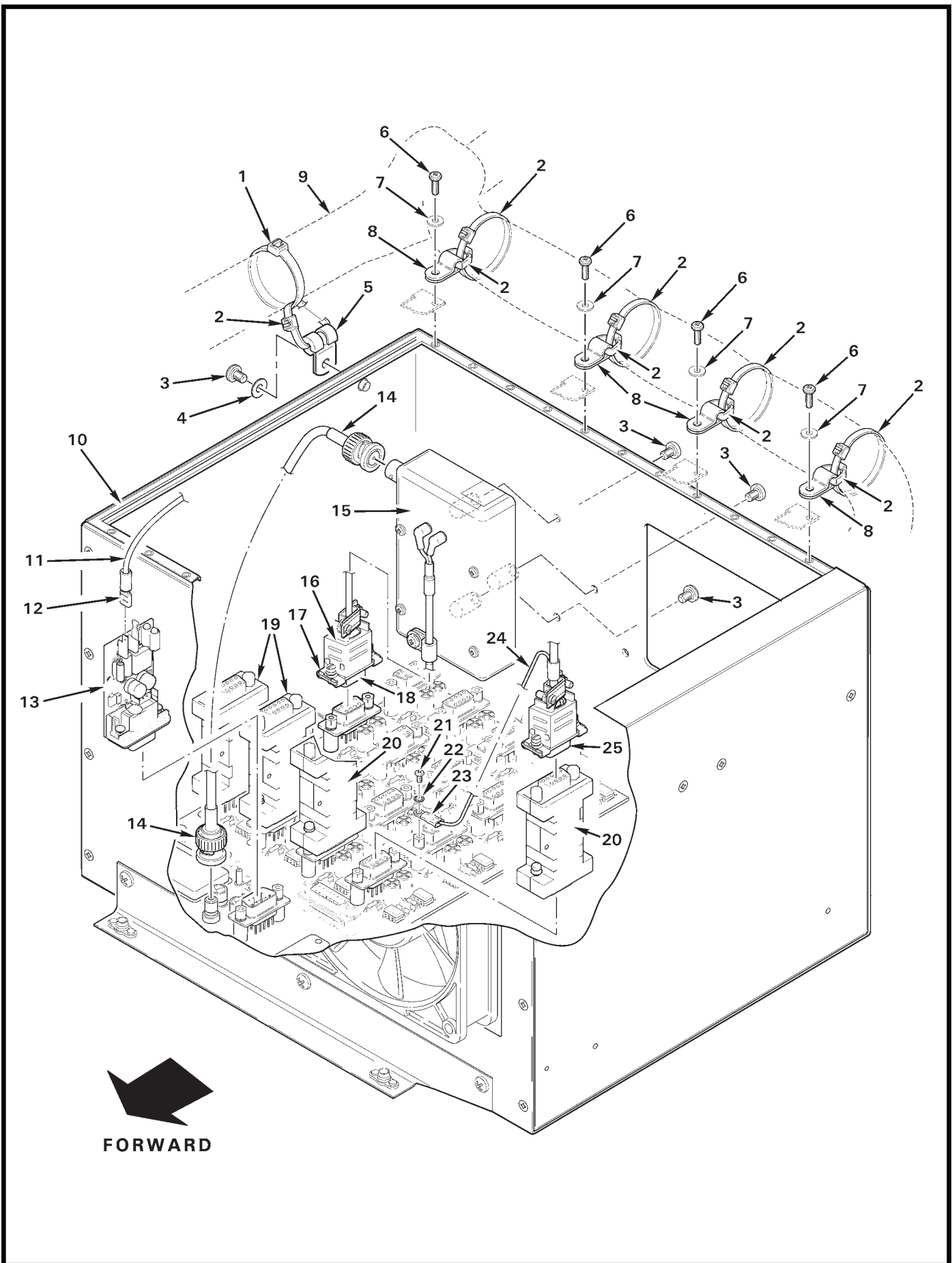


FIGURE AND INDEX NUMBER	PART NUMBER	DESCRIPTION	PARTS AVAIL	QTY PER ASSY
GENEVA AUDIO – BACKPLANE COMPONENTS				
92-35-1	MS3367-7-0	Ty-Rap	X	1
2	MS3367-5-0	Ty-Rap	X	9
3	MS35206-241	Screw	X	4
4	NAS1149FN816P	Washer	X	1
5	MS21919WDG2	Clamp	X	1
6	MS35206-215	Screw	X	4
7	NAS1149FN432P	Washer	X	4
8	7622	Clamp	X	4
9	D059	Harness Assembly (Ref)		
10	D579	Backplane (Ref, see also Figure 90-31)		
11	—	Wire (no. 1152; Ref)		
12	B262-2	Terminal	X	1
13	G12266	Module (GNET, Ref)		
14	D431-1315	Cable Assembly	X	1
15	D654-3	Tone Generator Assembly (Incl items 16 thru 18)	X	1
16	B269-21	Backshell	X	1
17	B269-31	Male Screw Lock	X	1
18	B269-3	Plug (9-pin)	X	1
19	G11432-2	Attenuator (at backplane connectors "J3" and "J2")	X	2
20	G11432-1	Attenuator (at backplane connectors "J1" and "J2")	X	2
21	MS35206-211	Screw	X	8
22	MS35333-36	Washer	X	8
23	B260-1	Terminal	X	20
24	—	Wire (ground, Ref)		
25	B269-3	Plug (9-pin, Ref)		

NOTES

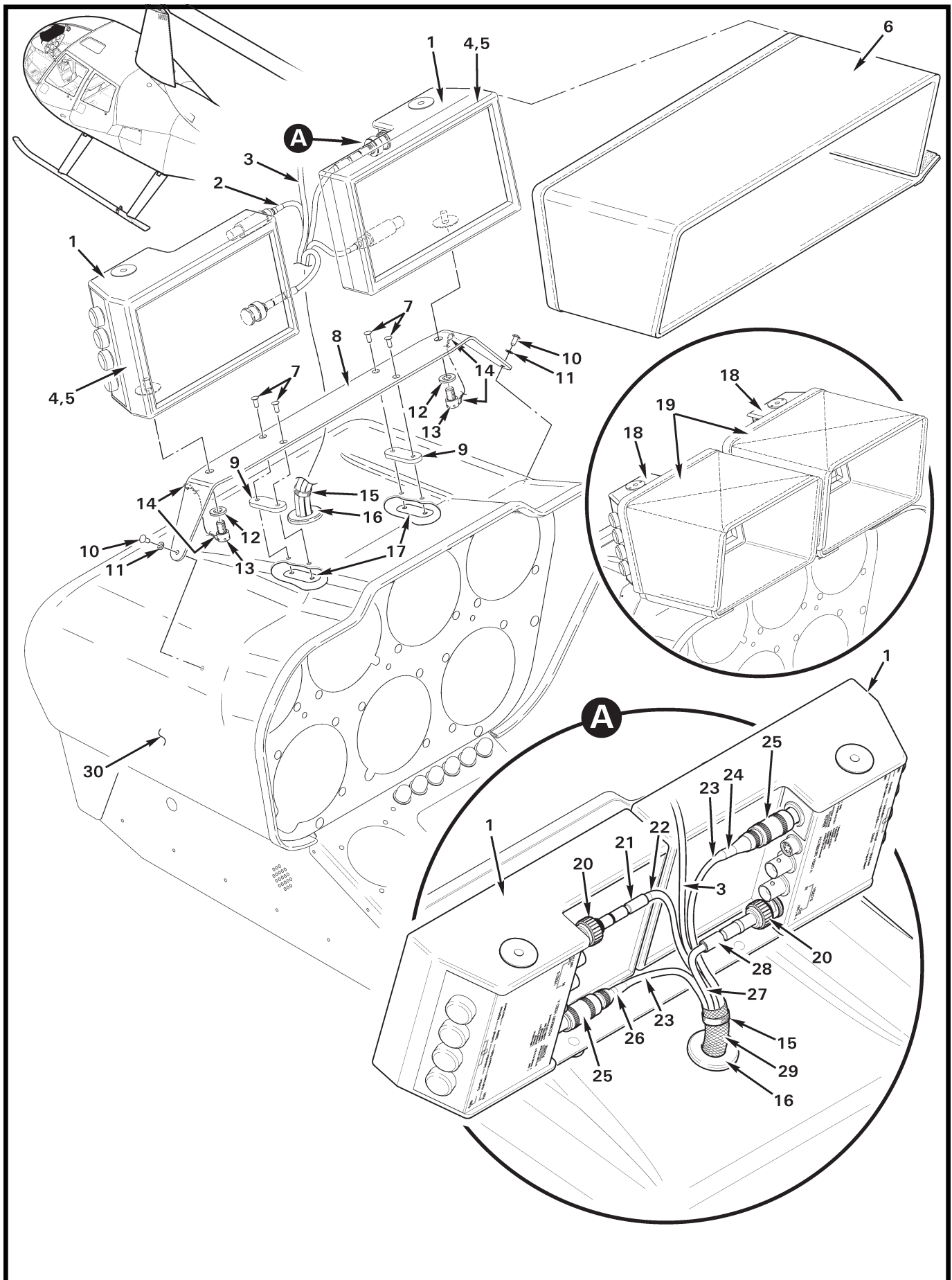


FIGURE AND INDEX NUMBER	PART NUMBER	DESCRIPTION	PARTS AVAIL	QTY PER ASSY
FORWARD MONITORS INSTALLATION				
92-37-1	D656-4	Monitor (NTSC & PAL; 6.5 in. Rainbow II)	X	2
2	D392-6	Harness Assembly (Incl items 18 thru 27)	X	1
3	—	Cable Assembly (Ref; windshield bow camera)		
4	B175-1	Hook Tape (install using item 5)	X	A/R
5	B270-8qt	Adhesive	X	A/R
6	HWDUALR	Visor	X	1
7	MS20426AD4	Rivet	X	4
8	D344-8	Bar (7-hole console)	X	1
	D344-14	Bar (9-hole console; not shown)	X	1
9	D344-9	Spacer	X	2
10	MS20470AD4	Rivet	X	2
11	NAS620-5	Washer	X	2
12	NAS1149F0463P	Washer	X	2
13	NAS1352-4H6P	Screw	X	2
14	MS20995C32	0.032 in.-dia Safety Wire	X	A/R
15	B268-3	Lacing Tape	X	A/R
16	MS35489-16	Grommet	X	1
17	A185-3	Plate	X	2
18	D656-3	Monitor (NTSC & PAL; 5 in. Rainbow II)	X	1
19	9HOODSD	Visor (earlier ships)	X	2
20	2065-11-9	Plug	X	2
21	B158-3	Heat Shrink (labeled "779")	X	A/R
22	D392-779	Wire (Ref)		
23	B266-4	Sleeving	X	A/R
24	D392-979	Wire (Ref)		
	D392-981	Wire (Ref)		
25	FFAIS302CLAC57	Connector	X	2
	B158-1	Heat Shrink (not shown)	X	A/R
26	D392-978	Wire (Ref)		
	D392-980	Wire (Ref)		
27	D392-780	Wire (Ref)		

NOTES

Continues

FIGURE AND INDEX NUMBER	PART NUMBER	DESCRIPTION	PARTS AVAIL	QTY PER ASSY
FORWARD MONITORS INSTALLATION (Cont'd)				
92-37-28	B158-3	Heat Shrink (labeled "780")	X	A/R
29	B266-8	Sleeving	X	A/R
30	B050	Console Assembly (Ref; 7 or 9 hole)		
NOTES				