

CHAPTER 8

WEIGHT AND BALANCE

<i>Figure</i>	<i>Title</i>	<i>Page</i>
8-1	Nose Ballast Installation	8.0
8-3	Empennage Ballast Installation	8.2

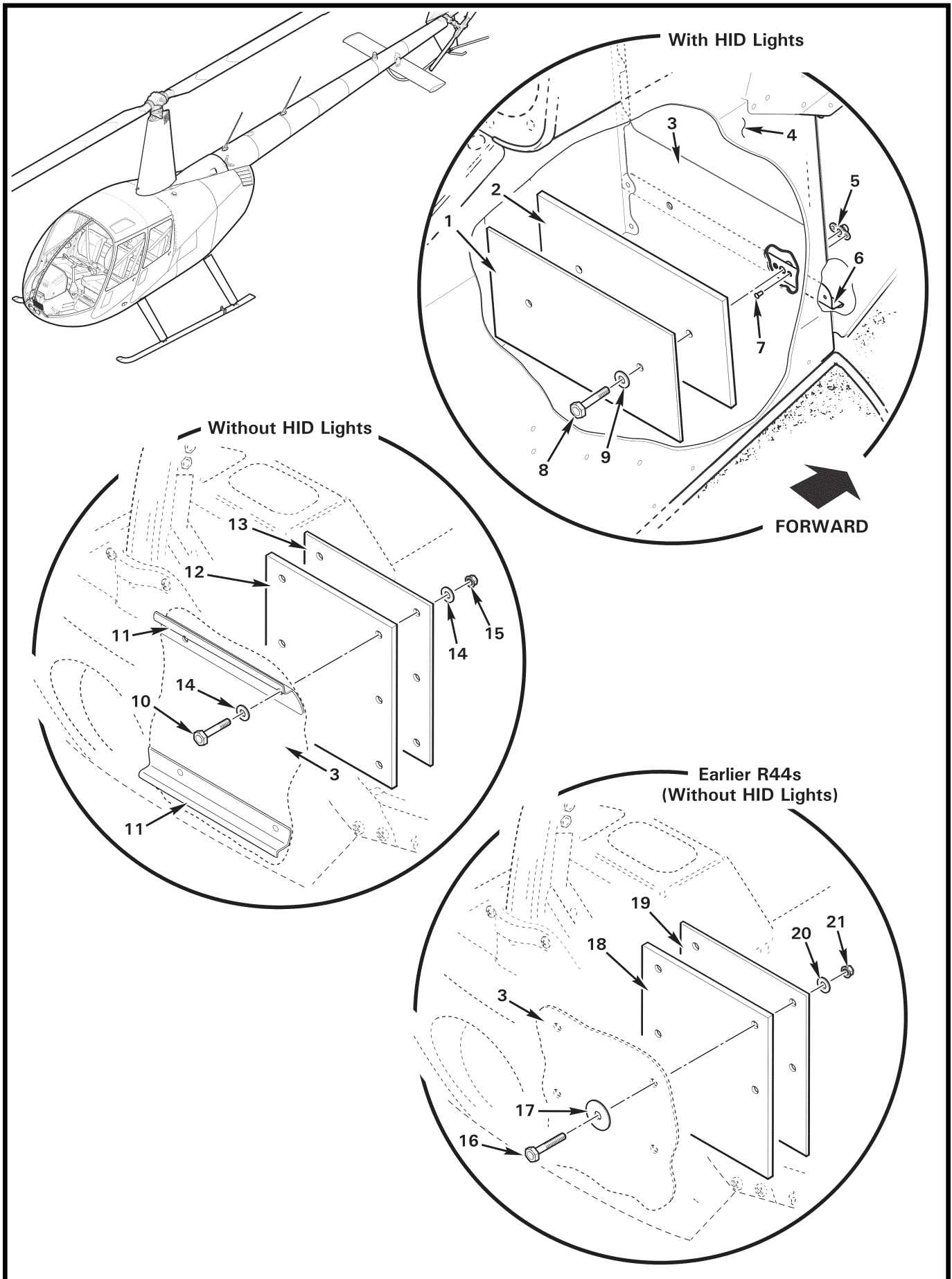


FIGURE AND INDEX NUMBER	PART NUMBER	DESCRIPTION	PARTS AVAIL	QTY PER ASSY
		NOSE BALLAST INSTALLATION* (NOT ELIGIBLE ON POLICE AND E.N.G. VERSIONS)		
8-1-1	A941-5	Ballast Plate (0.25 lb; compatible with B557 HID landing lights)	X	A/R
2	A941-6	Ballast Plate (1.25 lb; compatible with B557 HID landing lights)	X	A/R
3	C361	Console Panel (Ref)		
4	C033-1	Lower Console Assembly (Ref; see Figure 53-51)		
5	MS21069L3	Nutplate (Ref; see Figure 53-51)		
6	C360-4	Stiffener (Ref; see Figure 53-51)		
7	NAS1097AD3	Rivet (Ref; see Figure 53-51)		
8	NAS6603	Bolt (Select bolt length to meet torque requirements per R44 MM § 23-30 Part E. NAS428-3A14 or shorter bolt with excess threads exposed optional.)	X	2
9	NAS1149F0332P	Washer	X	2
		* * *		
10	NAS6603	Bolt (Select bolt length to meet torque requirements per R44 MM § 23-30 Part E. NAS428-3A14 or shorter bolt with excess threads exposed optional.)	X	4
11	C360-2	Stiffener (no longer available order items 6, 8 [2], and 9 [2])	O	2
12	A941-3**	Ballast Plate (1.00 lb; not compatible with B557 HID landing lights)	X	A/R
13	A941-2**	Ballast Plate (0.25 lb; not compatible with B557 HID landing lights)	X	A/R
14	NAS1149F0332P	Washer	X	8
15	D210-3	Nut	X	4
		* * *		
16	NAS428-3A-12	Bolt (or NAS428-3-12)	X	4
17	AN970-3	Washer	X	4
18	A941-3**	Ballast Plate (1.00 lb; no longer available, superseded by item 12)	O	A/R
19	A941-2**	Ballast Plate (0.15 lb; no longer available, superseded by item 13)	O	A/R
20	NAS1149F0332P	Washer	X	4
21	D210-3	Nut	X	4

NOTES * Refer to R44 MM Chapter 18 for maximum allowable nose ballast, & determine fixed ballast requirements.
 ** For use with R44 I helicopters S/N 1711 and prior, and R44 II helicopters S/N 11684 and prior, and S/N 11686 thru 11714, without B557 HID landing lights installed (refer to Figure 33-11).

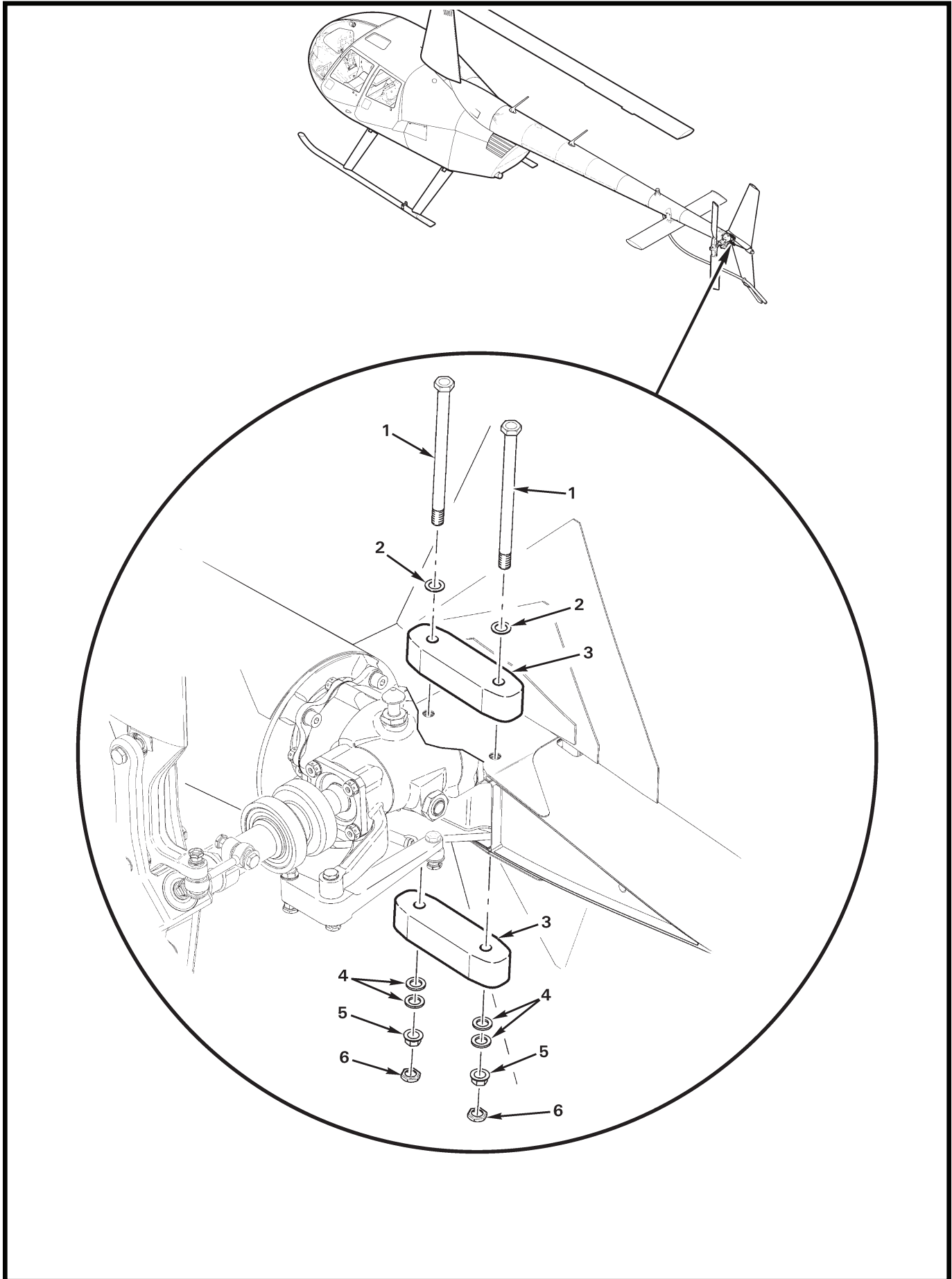


FIGURE AND INDEX NUMBER	PART NUMBER	DESCRIPTION	PARTS AVAIL	QTY PER ASSY
EMPENNAGE BALLAST INSTALLATION				
8-3-1	NAS6606-78	Bolt	X	2
2	NAS1149F0632P	Washer	X	2
3	D301-2*	Weight (1.5 lb; 4.65-in. x 1-in. not available unless previously installed, order item 7 as required. Contact RHC Technical Support with empty weight and balance for eligibility)	X	2
4	NAS1149F0663P	Washer ([1] or [2] under nut as required for 1 to 4 threads exposed)	X	A/R
5	D210-6	Nut	X	2
6	B330-19	Palnut	X	2
* * *				
7	KI-174	R44-series & R66 D301-7 Empennage 3.0 lb Ballast Installation Instructions	X	A/R

NOTES * Maximum allowable empennage ballast is 3.0 lb (except R44s with tailcone battery installed). One upper and one lower weight are required. Refer to R44 MM Chapter 18 to determine fixed ballast requirements.

Intentionally Blank