

## CHAPTER 63

## MAIN ROTOR DRIVE SYSTEM

<i>Figure</i>	<i>Title</i>	<i>Page</i>
63-1	Main Rotor Gearbox and Mast Assembly . . . . .	63.0
63-7	Rotor Brake Assembly . . . . .	63.6
63-11	Knob Assembly – Rotor Brake . . . . .	63.10
63-13	Forward Flex Plate Installation . . . . .	63.12
63-15	Clutch Assembly . . . . .	63.14
63-19	Belt Tension Actuator Installation . . . . .	63.18
63-23	Cooling Fan, Drive Belts and Lower Sheave . . . . .	63.22

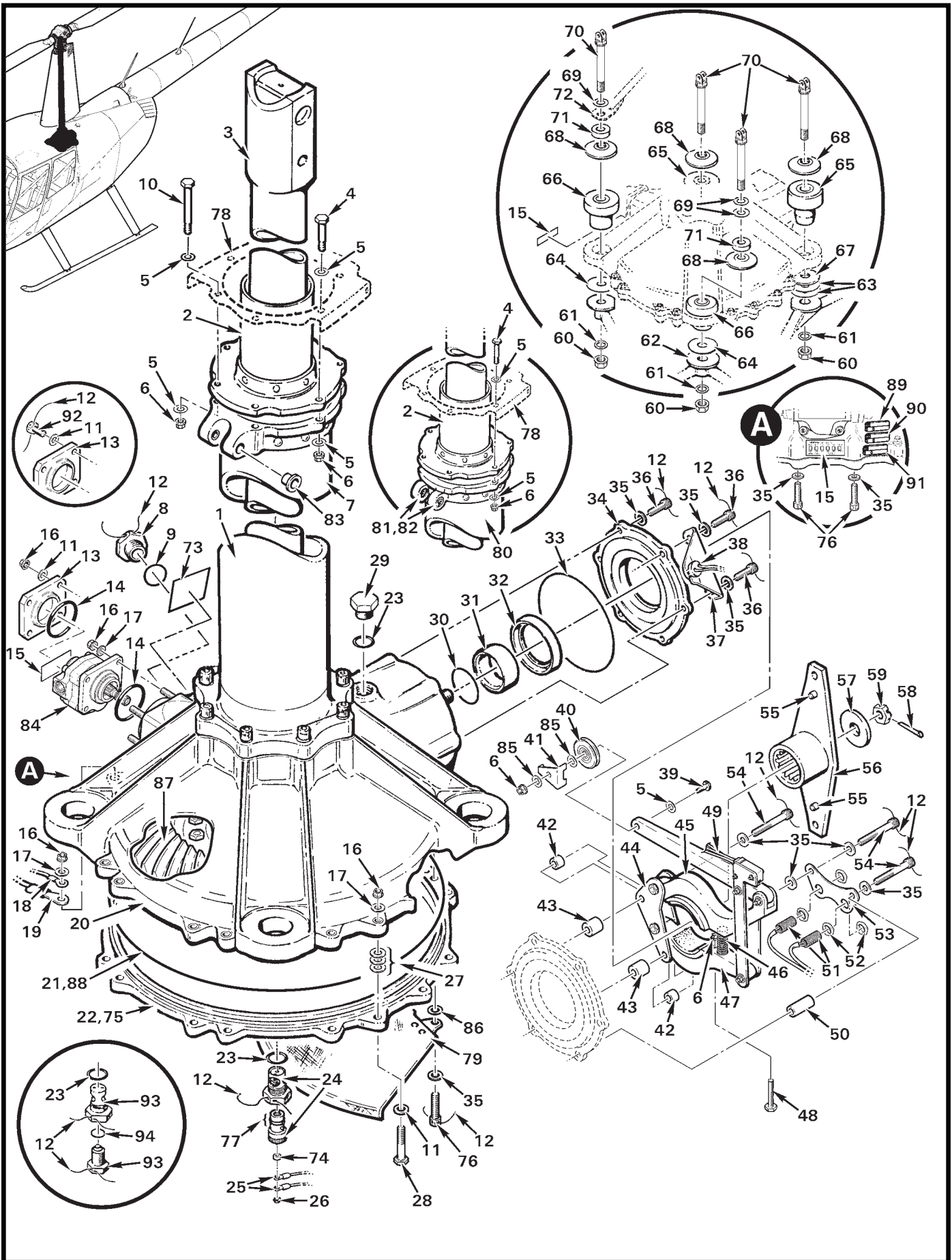


FIGURE AND INDEX NUMBER	PART NUMBER	DESCRIPTION	PARTS AVAIL	QTY PER ASSY
		<b>MAIN ROTOR GEARBOX AND MAST ASSEMBLY</b>		
63-1-1	C006-7*	Main Rotor Gearbox and Mast Assembly (Includes items 3 thru 11, 13 thru 59, 65, 66, 73, 76, 77, 79, and 83 thru 87; also items 8, and 12 thru 14 from Figure 29-17. Includes rotor brake, yoke, slider tube, and hydraulic pump.) . . . . .	X	1
	C006-8*	Main Rotor Gearbox and Mast Assembly (Includes items 3, 7 thru 9, 11, 13 thru 38, 65, 66, 73, 76, 77, 79, 83, and 87; also items 8, and 12 thru 15 from Figure 29-17. <u>Does not</u> include rotor brake, yoke, slider tube, or hydraulic pump**.) . . . . .	X	1
	C006-8R*	C006-8 Main Rotor Gearbox and Mast Assembly (overhaul exchange) . . . . .	X	1
	C006-6*	Main Rotor Gearbox and Mast Assembly (Ship S/N 10001 thru 13838, and ship S/N 0001 thru 2408 with R8206 Upgrade Kit. Includes items 3, 7 thru 9, 11 thru 17, 19 thru 38, 65, 66, 73, 74, 76, 77, 79, 83, and 87; also items 8, and 12 thru 15 from Figure 29-19. <u>Does not</u> include rotor brake, yoke, slider tube, or hydraulic pump**.) . . . . .	O	1
	C006-1 or -3	Main Rotor Gearbox and Mast Assembly (Ref, no longer available. Superseded by C006-6 assembly.)		
	R8206	C283-3 Mast Tube Upgrade Kit (For ship S/N 0001 thru 9999 with C283-1 Mast Assembly originally installed.) . . . . .	X	1
2	C284-1	Tube Assembly – Swashplate (Ref) . . . . .	X	1
3	C251-2	Shaft – Main Rotor Drive . . . . .	O	1
	C251-1	Shaft – Main Rotor Drive (Ref, not shown. Superseded by C251-2.)		
4	NAS6603-24	Bolt ([6] required with item 80) . . . . .	X	4
5	NAS1149F0332P	Washer . . . . .	X	14
6	D210-3	Nut . . . . .	X	6
7	F283-3	Mast Assembly (Incl item 83) . . . . .	O	1
8	B563-2	Sight Gage . . . . .	X	1
9	A215-020	O-Ring . . . . .	X	1
10	NAS6603-40	Bolt . . . . .	X	2
11	NAS1149F0432P	Washer . . . . .	X	12
12	MS20995C32	0.032 in. dia. Safety Wire . . . . .	X	A/R
13	C257-2	Cover (non-hydraulic ship, or when item 85 is removed) . . . . .	X	1
14	A215-222	O-Ring . . . . .	X	1
15	110-4	Telatemp (temperature recorder, 220°–270°F) . . . . .	X	2
16	D210-4	Nut . . . . .	X	16
17	A141-11	Washer . . . . .	X	16
18	B049-3	Harness Assembly . . . . .	X	1

NOTES \* See Figure 99-23 for shipping crate.  
 \*\* For hydraulic R44s only; see Figure 29-17.

Continues

FIGURE AND INDEX NUMBER	PART NUMBER	DESCRIPTION	PARTS AVAIL	QTY PER ASSY
		<b>MAIN ROTOR GEARBOX AND MAST ASSEMBLY (Cont'd)</b>		
63-1-19	C049-2	Harness Assembly . . . . .	X	1
20	C264-2	Housing (Rev. K and subsequent) . . . . .	O	1
	C264-1	Housing (Ref; Rev. J and prior, no longer available)		
21	A215-382	O-Ring (use only with C263-2 sump; install using item 88) . . . .	X	1
	C215-279	O-Ring (use only with C263-1 sump; install using item 88) . . . .	X	1
22	C263-2	Sump (requires A215-222 o-ring) . . . . .	O	1
	C263-1	Sump (requires C215-279 o-ring) . . . . .	O	1
23	A215-017	O-Ring . . . . .	X	2
24	B566-1*	Chip Detector ("quick release", includes items 26, 74, and 77) . .	X	1
25	C049-4	Harness Assembly . . . . .	X	1
26	—	Nut . . . . .	O	1
27	AN960PD416L	Washer (or A141-0XX; XX = thickness in thousandths in.) . . .	X	A/R
28	NAS1304-15	Bolt (vary length as required) . . . . .	X	12
29	AN814-8D	Filler Plug . . . . .	X	1
30	A215-029	O-Ring . . . . .	X	1
31	C266-1	Spacer . . . . .	X	1
32	C966-3	Seal . . . . .	X	1
33	A215-156	O-Ring . . . . .	X	1
34	C270-1	End Cover . . . . .	X	1
35	NAS1149F0463P	Washer . . . . .	X	17
36	NAS1352-4-12	Screw ([6] required for C006-3 assembly) . . . . .	X	3
37	C244-1	Bracket . . . . .	X	1
38	C049-5	Harness Assembly – Overtemp Switch . . . . .	X	1
39	NAS6603-8	Bolt . . . . .	X	1
40	MS24566-1B	Pulley (or AN210-1A) . . . . .	X	1
41	D117-1	Guard . . . . .	X	1
42	A130-41	Spacer . . . . .	X	2
43	C130-3	Spacer . . . . .	X	2
44	C006-2	Rotor Brake Assembly (see Figure 63-7) . . . . .	X	1
45	D110-1	Arm Assembly – Upper . . . . .	X	1
46	D774-4	Spring (Associated Spring part no. C0420-063-2000S) . . . . .	X	1
47	D123-1	Arm Assembly – Lower . . . . .	X	1
48	NAS428-3-14	Bolt . . . . .	X	1
49	D049-4	Harness Assembly . . . . .	X	1
50	C130-4	Spacer . . . . .	X	1

NOTES \* Requires MT054-1 tool to drain gearbox.

Continues

FIGURE AND INDEX NUMBER	PART NUMBER	DESCRIPTION	PARTS AVAIL	QTY PER ASSY
<b>MAIN ROTOR GEARBOX AND MAST ASSEMBLY (Cont'd)</b>				
63-1-51	B320-2	Sender Assembly (Incl item 52) . . . . .	X	2
52	—	Nut . . . . .	O	4
53	D114-1	Bracket . . . . .	X	1
54	NAS1352-4-30	Screw . . . . .	X	3
55	B570-1	Magnet Assembly . . . . .	X	2
56	C908-1	Yoke Assembly (Includes item 55. Coat splines of C146-2 pinion with B270-21 protectant before installing yoke assembly.) . . . . .	X	1
57	C141-10	Washer . . . . .	X	1
58	MS24665-283	Cotter Pin . . . . .	X	1
59	AN320-8	Nut (B270-11 on threads) . . . . .	X	1
60	D210-10	Nut (install with A257-9 anti-seize on threads) . . . . .	X	4
61	A141-21	Washer . . . . .	X	4
62	C020-1	Upper Frame (Ref)		
63	C796-2	Shim (3 maximum per aft pad) . . . . .	X	A/R
64	A796-1	Shim (3 maximum per fwd pad) . . . . .	X	A/R
65	C653-3*	Mount . . . . .	X	2
66	A653-2*	Mount (supersedes A653-1; if replacing a -1 mount replace both forward mounts) . . . . .	X	2
67	C796-3	Spacer . . . . .	X	2
68	A267-1	Washer . . . . .	X	4
69	NAS1149F1063P	Washer . . . . .	X	A/R
70	A650-4	Fitting . . . . .	X	4
71	C130-21	Spacer . . . . .	X	2
72	C345-1	Strut Weldment (Ref)		
73	A654-56	Decal (Ref; main rotor gearbox fill/oil instructions. No longer available. Superseded by F654-13 decal. See Figure 11-5.)		
74	A130-14	Spacer . . . . .	X	1
75	A257-2LT	Oil – Gearbox (one-liter bottle) . . . . .	X	A/R
	A257-2	Oil – Gearbox (one-gallon bottle) . . . . .	X	A/R
76	NAS1352-4-16	Screw . . . . .	X	6
77	O12C	O-Ring . . . . .	X	2
78	C261-1	Mast Fairing Assembly (Ref, see also Figure 53-11) . . . . .	X	2
79	C747-1	Baffle Assembly . . . . .	X	1
80	C283-1	Mast Assembly (Ref; ship S/N 0001 thru 9999; used with item 81)		

NOTES \* Installed with water as lubrication or A257-8 rubber lubricant.

Continues

FIGURE AND INDEX NUMBER	PART NUMBER	DESCRIPTION	PARTS AVAIL	QTY PER ASSY
<b>MAIN ROTOR GEARBOX AND MAST ASSEMBLY (Cont'd)</b>				
63-1-81	B115-1	Bearing (install using item 82) . . . . .	X	2
82	B270-10	Adhesive . . . . .	X	A/R
83	C648-2	Bearing – Journal . . . . .	X	2
84	D500-1	Pump (Ref, see Figure 29-19 for installation)		
85	NAS1149D0316J	Washer . . . . .	X	2
86	NAS1149F0432P	Washer (or NAS1149F0463P to fill gap) . . . . .	X	A/R
87	C146-5	Gear Set . . . . .	O	1
	C146-1	Gear Set (Ref, earlier R44's)		
88	A257-19	Lubricant . . . . .	X	1
89	—	Data Plate (C146 Gear Set, Ref)		
90	—	Data Plate (MRGB Housing, Ref)		
91	—	Data Plate (C006 MRGB, Ref)		
* * *				
92	MS20074-04-04	Bolt (earlier non-hydraulic R44s) . . . . .	X	4
93	A7260	Chip Detector (Ref; no longer available)		
94	AS111	O-Ring (use only with item 92) . . . . .	X	1
95	C647-1	Bearing (main rotor shaft upper bearing, not shown) . . . . .	O	1

NOTES

Intentionally Blank

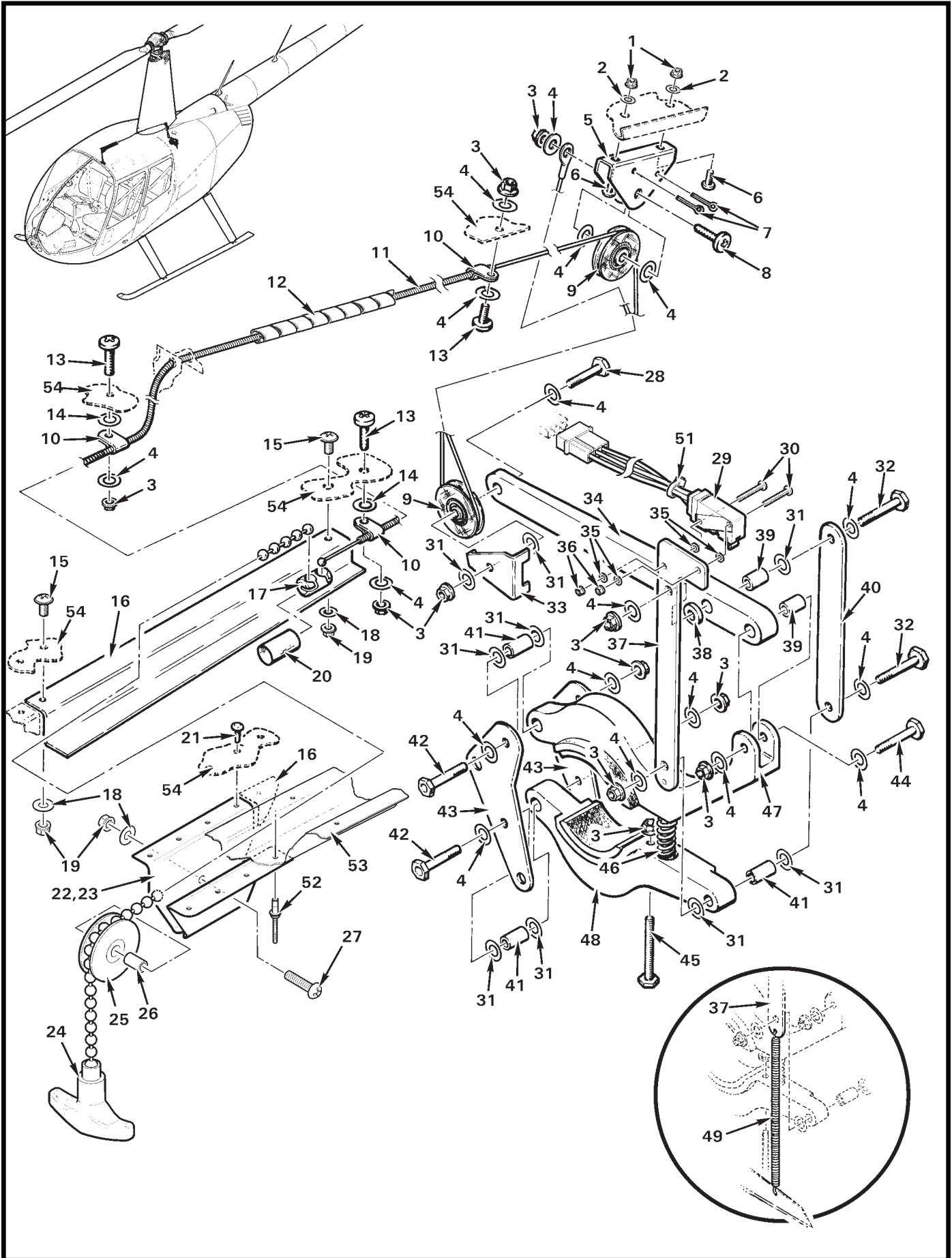




FIGURE AND INDEX NUMBER	PART NUMBER	DESCRIPTION	PARTS AVAIL	QTY PER ASSY
<b>ROTOR BRAKE ASSEMBLY</b>				
63-7-1	MS21042L06	Nut . . . . .	X	2
2	NAS620-6	Washer . . . . .	X	2
3	MS21042L3	Nut . . . . .	X	10
4	NAS1149F0332P	Washer . . . . .	X	17
5	B157-1	Mount . . . . .	X	1
6	MS35206-228	Screw . . . . .	X	2
7	MS24665-134	Cotter Pin . . . . .	X	2
8	MS27039C1-11	Screw . . . . .	X	1
9	MS24566-1B	Pulley (supersedes AN210-1A) . . . . .	X	2
10	AN742-3	Clamp . . . . .	X	3
11	D126-1	Cable Assembly . . . . .	X	1
12	B161-4	Spirap . . . . .	X	A/R
13	MS27039C1-07	Screw . . . . .	X	3
14	NAS620-10L	Washer . . . . .	X	2
15	AN526C832R6	Screw . . . . .	X	2
16	D117-2	Guard . . . . .	X	1
17	B125-2	Connector . . . . .	X	1
18	NAS1149FN816P	Washer . . . . .	X	3
19	MS21042L08	Nut . . . . .	X	3
20	B158-8	Heat Shrink . . . . .	X	A/R
21	MS20470AD4	Rivet . . . . .	X	4
22	D118-1	Bracket Assembly (Includes MS21071L06 nutplate. Seal around edges with item 23.) . . . . .	X	1
23	B270-2	Sealant – Metal (silver) . . . . .	X	A/R
24	B033-6	Knob Assembly (includes knob and chain) . . . . .	X	1
25	BP4100	Pulley . . . . .	X	1
26	A130-34	Spacer . . . . .	X	1
27	MS27039C0812	Screw . . . . .	X	1
28	NAS6603-8	Bolt . . . . .	X	1
29	D049-4	Harness Assembly (includes housing, pins, wires, and switch) . . . . .	X	1
30	MS35206-219	Screw . . . . .	X	2
31	NAS1149D0316J	Washer . . . . .	X	9
32	NAS6603-12	Bolt . . . . .	X	2
33	D117-1	Guard . . . . .	X	1
34	D112-1	Lever . . . . .	X	1

NOTES

Continues

FIGURE AND INDEX NUMBER	PART NUMBER	DESCRIPTION	PARTS AVAIL	QTY PER ASSY
<b>ROTOR BRAKE ASSEMBLY (Cont'd)</b>				
63-7-35	NAS620-4	Washer . . . . .	X	4
36	MS21042L04	Nut . . . . .	X	2
37	D113-2	Link . . . . .	X	1
38	A141-27	Washer . . . . .	X	1
39	A130-40	Spacer . . . . .	X	2
40	D113-1	Link . . . . .	X	1
41	A130-39	Spacer . . . . .	X	3
42	NAS6603-11	Bolt . . . . .	X	2
43	D111-1	Bracket . . . . .	X	2
44	NAS6603-10	Bolt . . . . .	X	1
45	NAS428-3A-14	Bolt . . . . .	X	1
46	D774-4	Spring (alternate part no. C0420-063-2000S) . . . . .	X	1
47	D110-1	Arm Assembly . . . . .	X	1
48	D123-1	Arm Assembly . . . . .	X	1
49	E0240-037-3500S	Spring . . . . .	X	1
50	C006-2	Rotor Brake Assembly (Incl items 3 [7], 4 [11], 9 [1], and 28 thru 48) . . . . .	X	1
51	MS3367-5-9	Ty-Rap . . . . .	X	A/R
52	NAS9301B-4-02	Rivet . . . . .	X	4
53	C238-23	Support (Ref)		
54	C273-1	Roof (Ref)		

NOTES

Intentionally Blank

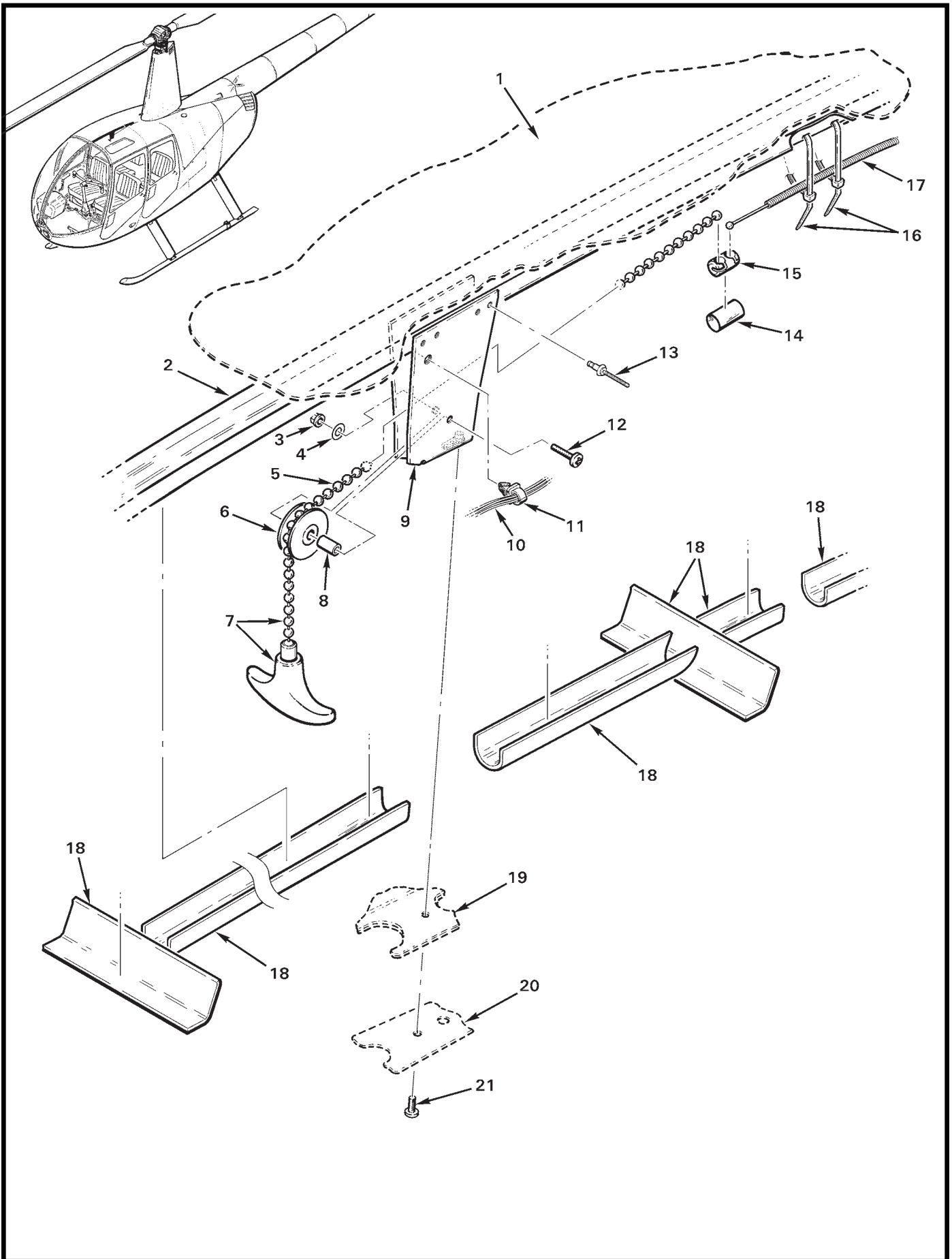


FIGURE AND INDEX NUMBER	PART NUMBER	DESCRIPTION	PARTS AVAIL	QTY PER ASSY
<b>KNOB ASSEMBLY - ROTOR BRAKE*</b>				
63-11-1	C273-1	Roof Panel (Ref)		
2	C238-23	Support - Roof (Ref)		
3	MS21042L08	Nut . . . . .	X	1
4	NAS1149FN816P	Washer . . . . .	X	1
5	01960	Bead Chain . . . . .	X	1
6	BP4100	Pulley . . . . .	X	1
7	B033-6	Knob Assembly - Rotor Brake (Incl item 5) . . . . .	X	1
8	A130-34	Spacer . . . . .	X	1
9	D122-1	Bracket Assembly (includes nutplate) . . . . .	X	1
10	—	Wire Harness (Ref)		
11	220-242400-09	Clip . . . . .	X	1
12	MS27039C0812	Screw . . . . .	X	1
13	NAS9301B-4-02	Rivet . . . . .	X	8
14	B158-8	Heat Shrink . . . . .	X	A/R
15	B125-2	Connector . . . . .	X	1
16	MS3367-5-9	Ty-Rap . . . . .	X	2
17	D126-1	Cable Assembly (Ref, see Figure 63-7)		
18	5541K11	Pipe Wrap (self-adhesive) . . . . .	X	A/R
19	D796-1	Duct Assembly (Ref, see Figure 21-31)		
20	D122-6	Plate (Ref, see Figure 21-33)		
21	MS27039C0806	Screw (Ref, see Figure 21-33)		

NOTES \* Air-conditioned ships.

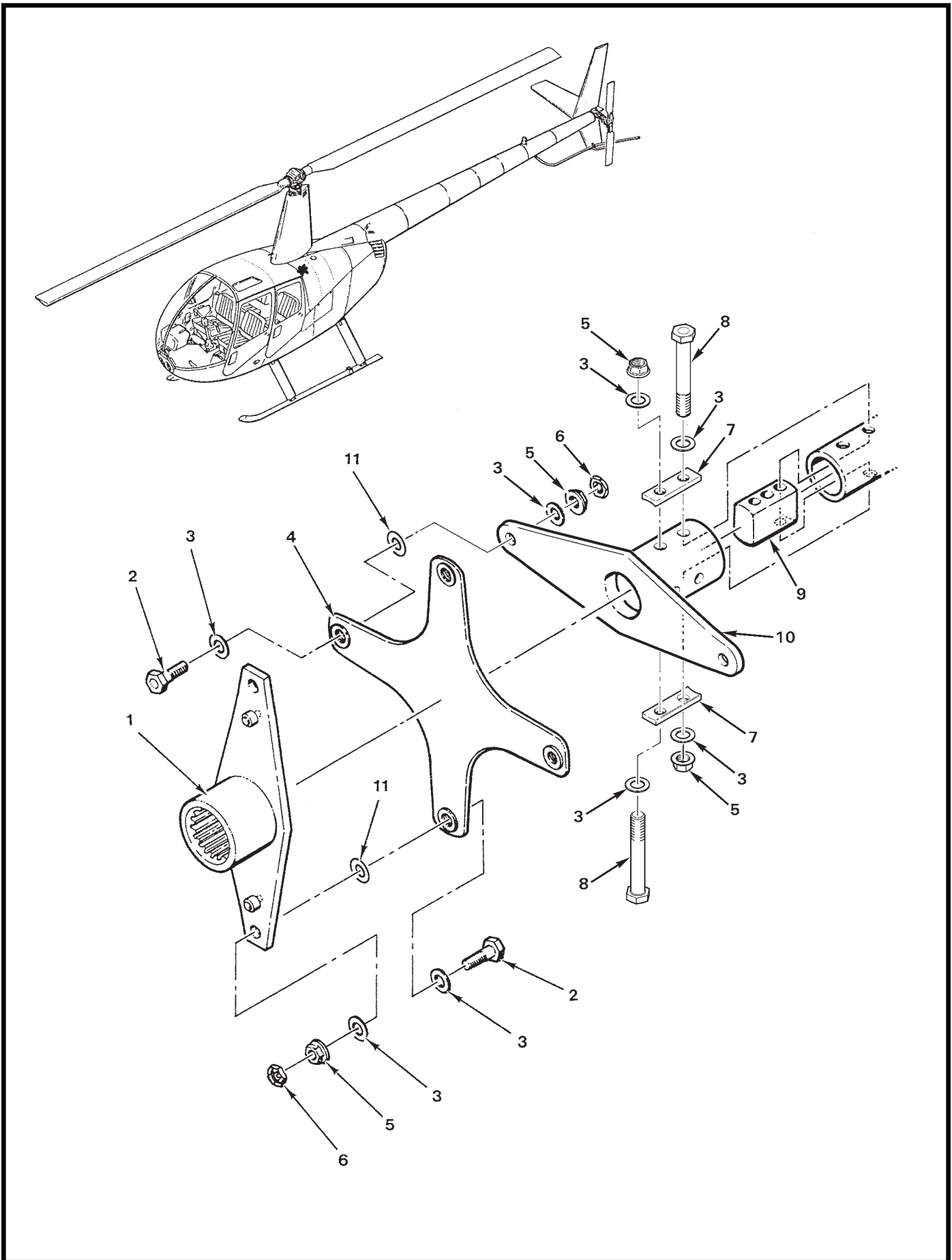


FIGURE AND INDEX NUMBER	PART NUMBER	DESCRIPTION	PARTS AVAIL	QTY PER ASSY
<b>FORWARD FLEX PLATE INSTALLATION</b>				
63-13-1	C908-1	Yoke (Ref)		
2	NAS6606-5	Bolt . . . . .	X	4
3	NAS1149F0632P	Washer . . . . .	X	12
4	C947-1	Flex Plate Assembly . . . . .	X	1
5	D210-6	Nut . . . . .	X	6
6	B330-19	Palnut . . . . .	X	4
7	C191-1	Block . . . . .	X	1
8	NAS6606-31	Bolt . . . . .	X	2
9	C553-1	Block . . . . .	X	1
10	C907-1	Yoke (shaft length – 2.76 in.) . . . . .	X	1
	C907-2	Yoke (shaft length – 2.90 in.) . . . . .	X	1
11	NAS1149F0632P*	Washer . . . . .	X	A/R

NOTES \* Determine shim washers required for sheave alignment per R44 Maintenance Manual Section 7.230.

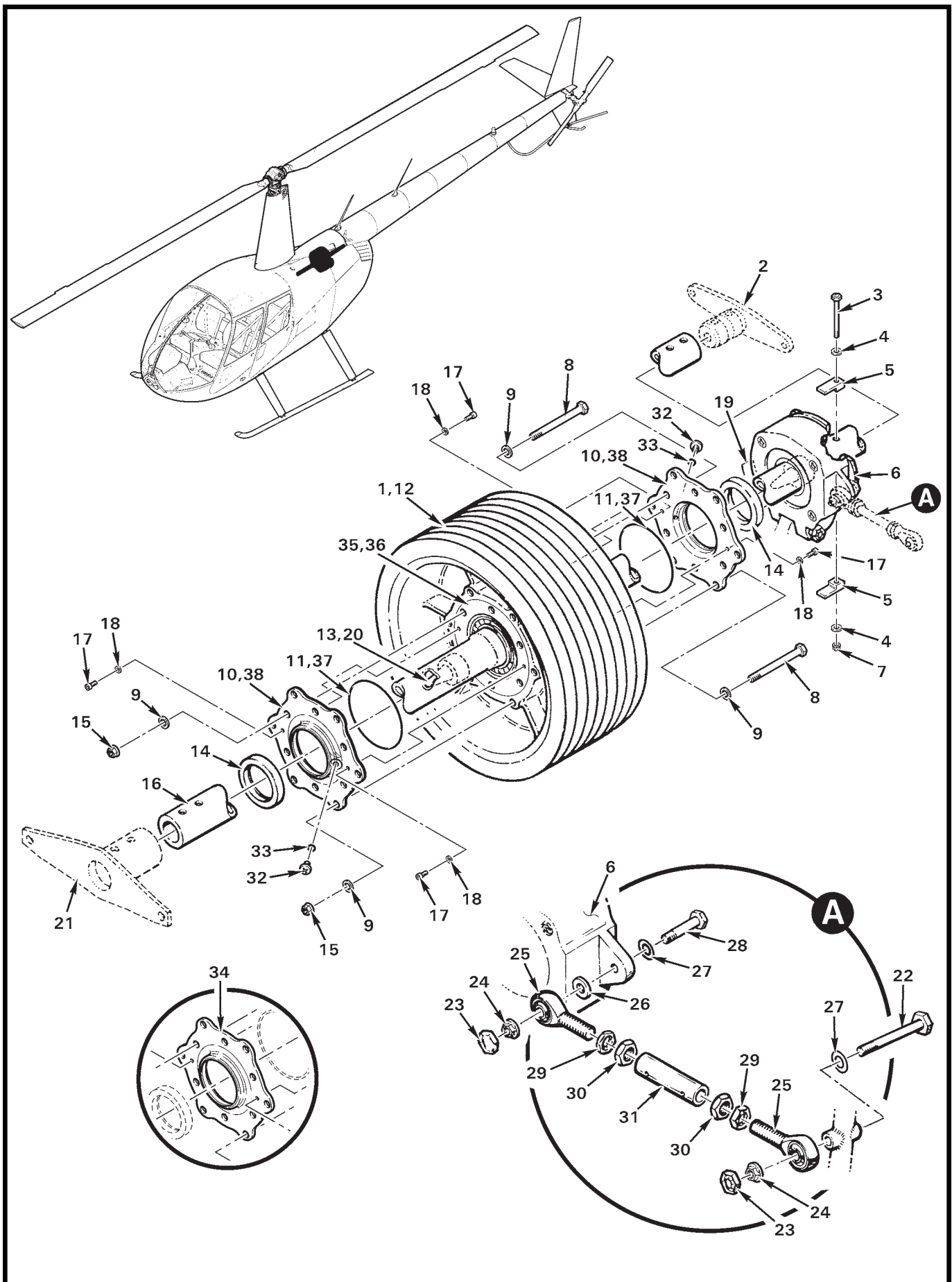




FIGURE AND INDEX NUMBER	PART NUMBER	DESCRIPTION	PARTS AVAIL	QTY PER ASSY
		<b>CLUTCH ASSEMBLY</b>		
63-15-1	C018-2*	Clutch Assembly (Anodized sheave. Includes items 3 thru 11, 12 [C170-2], 13 thru 20, 32, 33 and C188-3 sprag clutch.)	X	1
	C018-2R	C018-2 Clutch Assembly (overhaul exchange; includes new C166-4 shaft) . . . . .	X	1
	C018-3*	Clutch Assembly (Metalized sheave. Includes items 3 thru 11, 12 [C170-3], 13 thru 20, 32, 33 and C188-3 sprag clutch.)	X	1
	C018-3R	C018-3 Clutch Assembly (overhaul exchange; includes new C166-4 shaft) . . . . .	X	1
2	C195	Yoke (Ref, see Figure 65-1)		
3	NAS6603-28	Bolt . . . . .	X	1
4	NAS1149F0332P	Washer . . . . .	X	2
5	C191-5	Stop . . . . .	X	2
6	C184-2	Bearing Assembly – Upper . . . . .	X	1
	C184-2R	C184-2 Bearing Assembly – Upper (overhaul exchange) . . . . .	X	1
7	MS21042L3	Nut . . . . .	X	1
8	NAS6605-42	Bolt . . . . .	X	12
9	NAS1149F0532P	Washer . . . . .	X	24
10	C168-5	Retainer (supersedes item 34; includes items 32 and 33) . . . . .	X	2
11	A215-152	O-Ring (used <u>only</u> with item 35) . . . . .	X	2
12	C170-2	Sheave – Upper (anodized) . . . . .	O	1
	C170-3	Sheave – Upper (metalized) . . . . .	O	1
13	C967-1	Plug . . . . .	O	2
14	C966-5	Seal . . . . .	X	2
15	MS21042L5	Nut . . . . .	X	12
16	C166-4	Shaft – Clutch (Ref) . . . . .	O	1
17	NAS1352-08LE6P	Screw . . . . .	X	4
18	NAS620-8	Washer . . . . .	X	4
19	110-3	Telatemp (temperature recorder 180°-230°F) . . . . .	X	1
20	A257-4	Oil – Type “A” ATF (Dexron III) . . . . .	X	A/R
21	C907	Yoke (Ref, see Figure 63-13)		
22	NAS6604-21	Bolt . . . . .	X	1
23	B330-13	Palnut . . . . .	X	2
24	D210-4	Nut . . . . .	X	2

NOTES \* Originally installed on ship S/N 1902 and subsequent, and S/N 12323 and subsequent. Refer to Service Bulletin SB-79 to retrofit earlier clutch assemblies with serviceable retainers.

Continues

FIGURE AND INDEX NUMBER	PART NUMBER	DESCRIPTION	PARTS AVAIL	QTY PER ASSY
<b>CLUTCH ASSEMBLY (Cont'd)</b>				
63-15-25	A101-4	Rod End . . . . .	X	2
26	MS20002-4	Washer . . . . .	X	1
27	NAS1149F0432P	Washer . . . . .	X	2
28	NAS6604-11	Bolt . . . . .	X	1
29	B330-16	Palnut . . . . .	X	2
30	AN316-5R	Nut . . . . .	X	2
31	A344-2	Strut . . . . .	X	1
32	B289-3	Screw (Incl item 33) . . . . .	X	2
33	—	O-Ring . . . . .	O	2
34	C168-4	Retainer (Ref; no longer available)		
35	C167-5	Housing (Ref)		
36	C167-3	Housing (Ref)		
37	A215-042	O-Ring (used <u>only</u> with item 36) . . . . .	X	2
* * *				
38	KI-202	Retainer Upgrade Kit (Ref; includes items 10, 14, 32, and 37)	X	1
NOTES				

Intentionally Blank

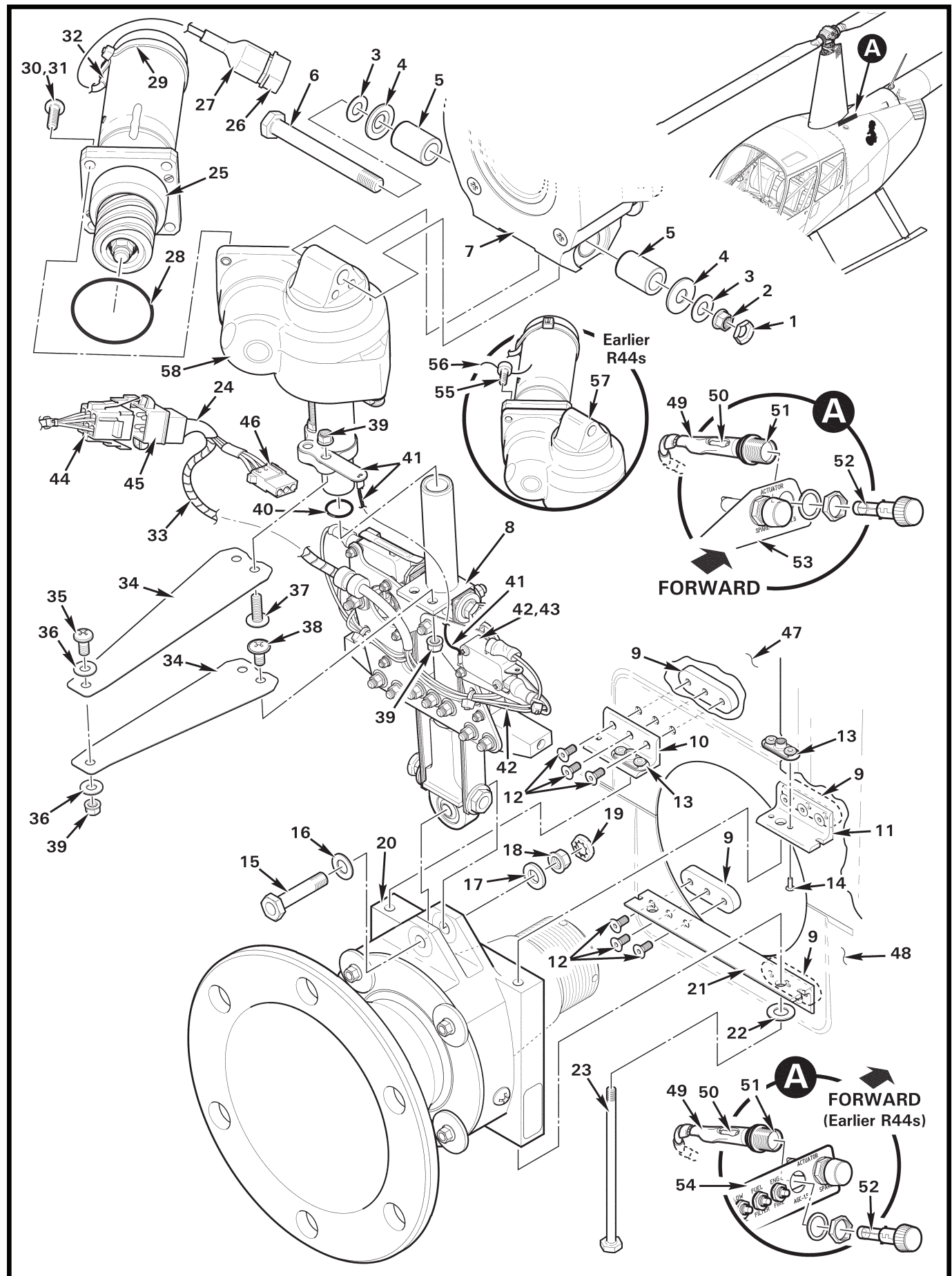


FIGURE AND INDEX NUMBER	PART NUMBER	DESCRIPTION	PARTS AVAIL	QTY PER ASSY
<b>BELT TENSION ACTUATOR INSTALLATION</b>				
63-19-1	B330-16	Palnut . . . . .	X	1
2	D210-5	Nut . . . . .	X	1
3	NAS1149F0532P	Washer . . . . .	X	2
4	D214-2	Washer (install with counterbore toward journal) . . . . .	X	2
5	C105-2	Journal . . . . .	X	2
6	NAS6605-38	Bolt . . . . .	X	1
7	C184-2	Upper Bearing Assembly (Ref, see Figure 63-15)		
8	C051-1	Actuator Assembly – Belt Tension (14-volt ships; includes items 25 [D276-1], 28 thru 31, 34 thru 42, and 57 or 58)	X	1
	C051-1R	C051-1 Actuator Assembly – Belt Tension (overhaul exchange; R7624 core deposit required) . . . . .	X	1
	C051-2	Actuator Assembly – Belt Tension (28-volt ships; includes items 25 [D276-3], 28 thru 31, 34 thru 42, and 57 or 58)	X	1
	C051-2R	C051-2 Actuator Assembly – Belt Tension (overhaul exchange; R7539 core deposit required) . . . . .	X	1
9	A185-7	Plate . . . . .	X	4
	A185-3*	Plate . . . . .	X	4
10	A185-8	Bracket . . . . .	X	1
	A185-2*	Bracket . . . . .	X	1
11	A185-9	Bracket . . . . .	X	1
	A185-5*	Bracket . . . . .	X	1
12	91266A192	Screw . . . . .	X	12
	MS20470AD5*	Rivet . . . . .	X	12
13	MS21075L3E	Nutplate . . . . .	X	2
14	MS20426AD3	Rivet . . . . .	X	4
15	NAS6604-13	Bolt . . . . .	X	1
16	NAS1149F0432P	Washer . . . . .	X	1
17	NAS1149F0463P	Washer . . . . .	X	1
18	D210-4	Nut . . . . .	X	1
19	B330-13	Palnut . . . . .	X	1
20	C007-5	Shaft and Bearing Assembly (includes C181-3 lower bearing)	X	1
	C181-3	Bearing Assembly (Ref)		
21	A185-6	Bracket . . . . .	X	1
	A185-1	Bracket . . . . .	X	1
22	NAS620-10L	Washer . . . . .	X	2
23	AN3-41A	Bolt . . . . .	X	2

NOTES \* Does not include item 13, refer to R44 Service Letter SL-61B.

Continues

FIGURE AND INDEX NUMBER	PART NUMBER	DESCRIPTION	PARTS AVAIL	QTY PER ASSY
BELT TENSION ACTUATOR INSTALLATION (Cont'd)				
63-19-24	B158-12	Heat Shrink (around item 45) . . . . .	X	A/R
25	D276-1	Gearmotor Assembly (14-volt ships; includes items 26, 27, and 32) . . . . .	X	1
	D276-3	Gearmotor Assembly (28-volt ships; includes items 26, 27, and 32) . . . . .	X	1
26	B263-12	Housing (14-volt ships) . . . . .	X	1
	B263-14	Housing (28-volt ships) . . . . .	X	1
	B263-1	Pin . . . . .	X	2
27	B158-8	Heat Shrink (14-volt ships) . . . . .	X	A/R
	B158-408	Heat Shrink (28-volt ships) . . . . .	X	A/R
28	A215-029	O-Ring (lubricate with A257-1 grease) . . . . .	X	1
29	MS3367-7-0	Ty-Rap . . . . .	X	1
30	MS27039C1-09	Screw (install using item 31) . . . . .	X	4
31	A257-9	Anti-Seize . . . . .	X	A/R
32	B158-704	Heat Shrink (1.1 ± 0.2-inch long) . . . . .	X	A/R
33	B161-4	Spirap . . . . .	X	A/R
34	A510-2	Scissor . . . . .	X	2
35	MS27039C1-06	Screw . . . . .	X	1
36	NAS1149F0332P	Washer . . . . .	X	2
37	AN525-10R9	Screw . . . . .	X	2
38	AN525-10R6	Screw . . . . .	X	2
39	D210-3	Nut . . . . .	X	5
40	A215-016	O-Ring (install using A257-1 grease) . . . . .	X	1
41	A482-1	Actuator Assembly . . . . .	X	1
42	C053-2	Switches Assembly (Incl items 24, 33, 43 [4], 45, and 46)	X	1
43	V3-1001	Switch (use B158-2 or -3 [item 50] around terminals) . . . . .	X	4
	B158-2	Heat Shrink . . . . .	X	A/R
44	C859	Harness Assembly (Ref)		
45	B263-18	Housing (see Figure 96-55) . . . . .	X	1
	B263-1	Pin . . . . .	X	1
	B263-3	Pin . . . . .	X	4
	A15A	Diode . . . . .	X	1
46	B263-15	Housing . . . . .	X	1
	B263-2	Socket . . . . .	X	2
47	C236-1	Scroll Assembly (Ref; upper)		

NOTES

Continues

FIGURE AND INDEX NUMBER	PART NUMBER	DESCRIPTION	PARTS AVAIL	QTY PER ASSY
<b>BELT TENSION ACTUATOR INSTALLATION (Cont'd)</b>				
63-19-48	C236-2	Scroll Assembly (Ref; lower, without air conditioning)		
	C236-5	Scroll Assembly (Ref; lower, with air conditioning)		
49	B158-8	Heat Shrink (around fuse holder) . . . . .	X	A/R
50	B158-3	Heat Shrink (around wires, terminal) . . . . .	X	A/R
51	D262-11	Fuse Holder . . . . .	X	2
52	AGC-3	Fuse (3 amp; for 14-volt ships, [1] spare) . . . . .	X	2
	AGC-1.5	Fuse (1.5 amp; for 28-volt ships, [1] spare) . . . . .	X	2
53	A938-9	Mount (Ref)		
54	A938-3	Mount – Test Switches (Ref; 14-volt)		
	A938-5	Mount – Test Switches (Ref; 28-volt)		
55	AN503-10-10	Screw . . . . .	X	4
56	MS20995C32	0.032 in. dia. Safety Wire . . . . .	X	A/R
57	C501-1	Housing . . . . .	O	1
58	C501-2	Housing . . . . .	O	1
<b>NOTES</b>				

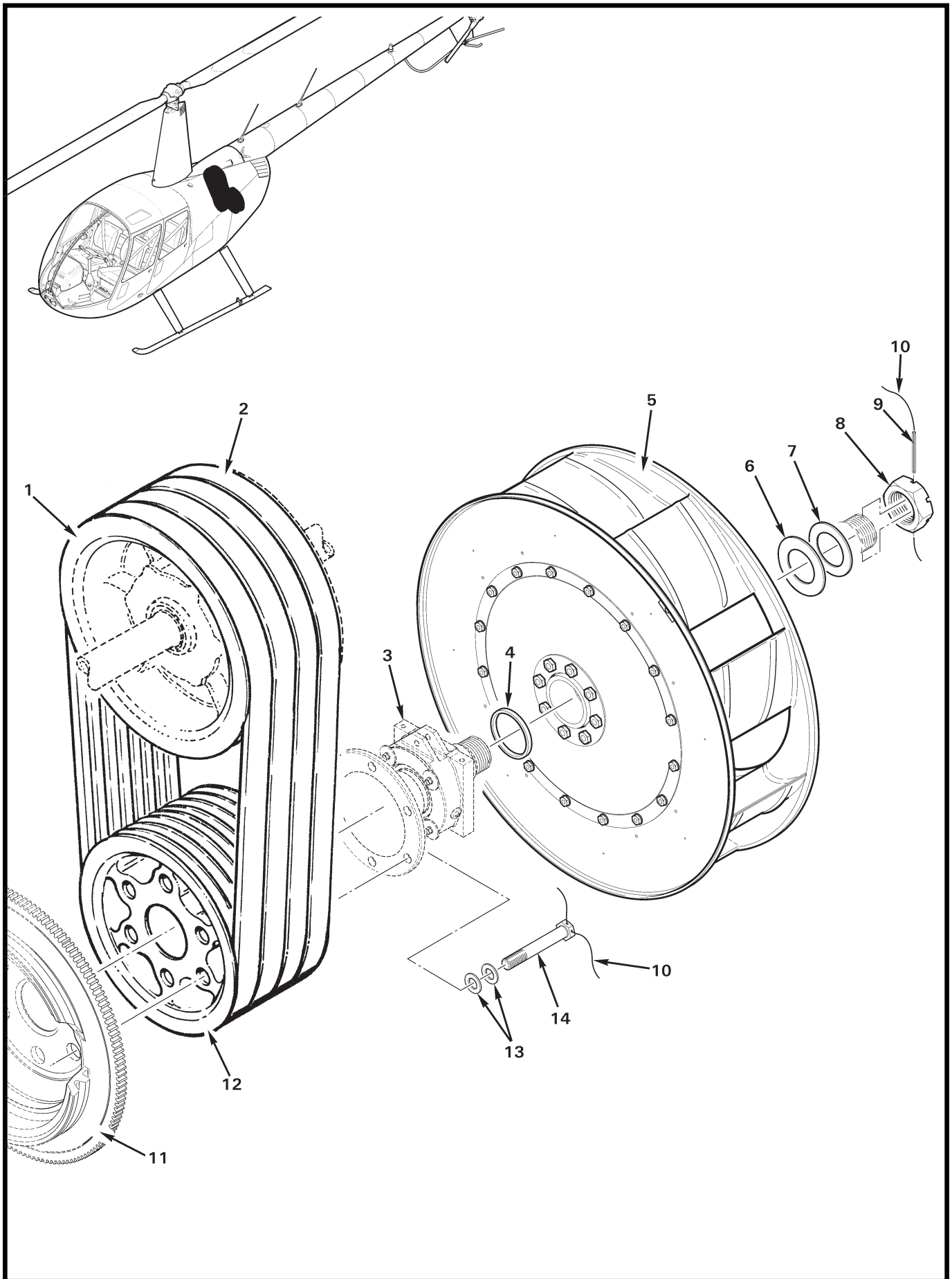




FIGURE AND INDEX NUMBER	PART NUMBER	DESCRIPTION	PARTS AVAIL	QTY PER ASSY
<b>COOLING FAN, DRIVE BELTS AND LOWER SHEAVE</b>				
63-23-1	C018	Clutch Assembly (Ref, see Figure 63-15)		
2	A190-3	V-Belts (matched set of four banded belts) . . . . .	X	1
3	C007	Shaft and Bearing Assembly (Ref, see Figure 63-19)		
4	C192-1	Spacer . . . . .	X	1
5	D174-2	Fanwheel Assembly . . . . .	X	1
	D174-2R	D174-2 Fanwheel Assembly (overhaul exchange) . . . . .	X	1
6	MS20002-24	Washer (against hub) . . . . .	X	1
7	NAS1149F2432P	Washer (as required to install item 9) . . . . .	X	A/R
8	C182-1	Nut. . . . .	X	1
9	B350-3	Spring Pin . . . . .	X	1
10	MS20995C41	0.041 in. dia. Safety Wire . . . . .	X	A/R
11	31M22972*	Engine Starter Ring Gear Assembly (supersedes LW-16471* and 31M21951* starter ring gear assembly used on O-540 engine) . . . . .	X	1
12	C493-1	Sheave – Lower . . . . .	X	1
13	NAS1149F0863P	Washer . . . . .	X	12
14	NAS6608H42	Bolt . . . . .	X	6

NOTES \* Lycoming part no.

Intentionally Blank