

**CHAPTER 25**

**FURNISHINGS**

<i>Figure</i>	<i>Title</i>	<i>Page</i>
25-1	Seat Installation . . . . .	25.0
25-5	Aft Seat Support Installation . . . . .	25.4
25-9	Heated Seats – Backrest Installation . . . . .	25.8
25-11	Heated Seats – Seat Cushion Installation . . . . .	25.10
25-13	Heated Seats – Wiring Installation . . . . .	25.12
25-17	Seat Belt Installation . . . . .	25.16
25-19	Seat Belt Installation . . . . .	25.18
25-21	Five-Point Harness Installation . . . . .	25.20
25-23	Five-Point Harness Installation . . . . .	25.22
25-25	Four-Point Harness Installation . . . . .	25.24
25-27	Four-Point Harness Installation . . . . .	25.26
25-29	Carpet Installation . . . . .	25.28
25-33	Headliner and Insulation Installation . . . . .	25.32
25-37	Fire Extinguisher Installation . . . . .	25.36
25-39	Fire Extinguisher Installation . . . . .	25.38
25-41	Fire Extinguisher Installation . . . . .	25.40
25-41B	Kannad ELT Installation . . . . .	25.41A
25-45	Pointer ELT and Antenna Installation . . . . .	25.44
25-49	Guard Assembly Installation . . . . .	25.48

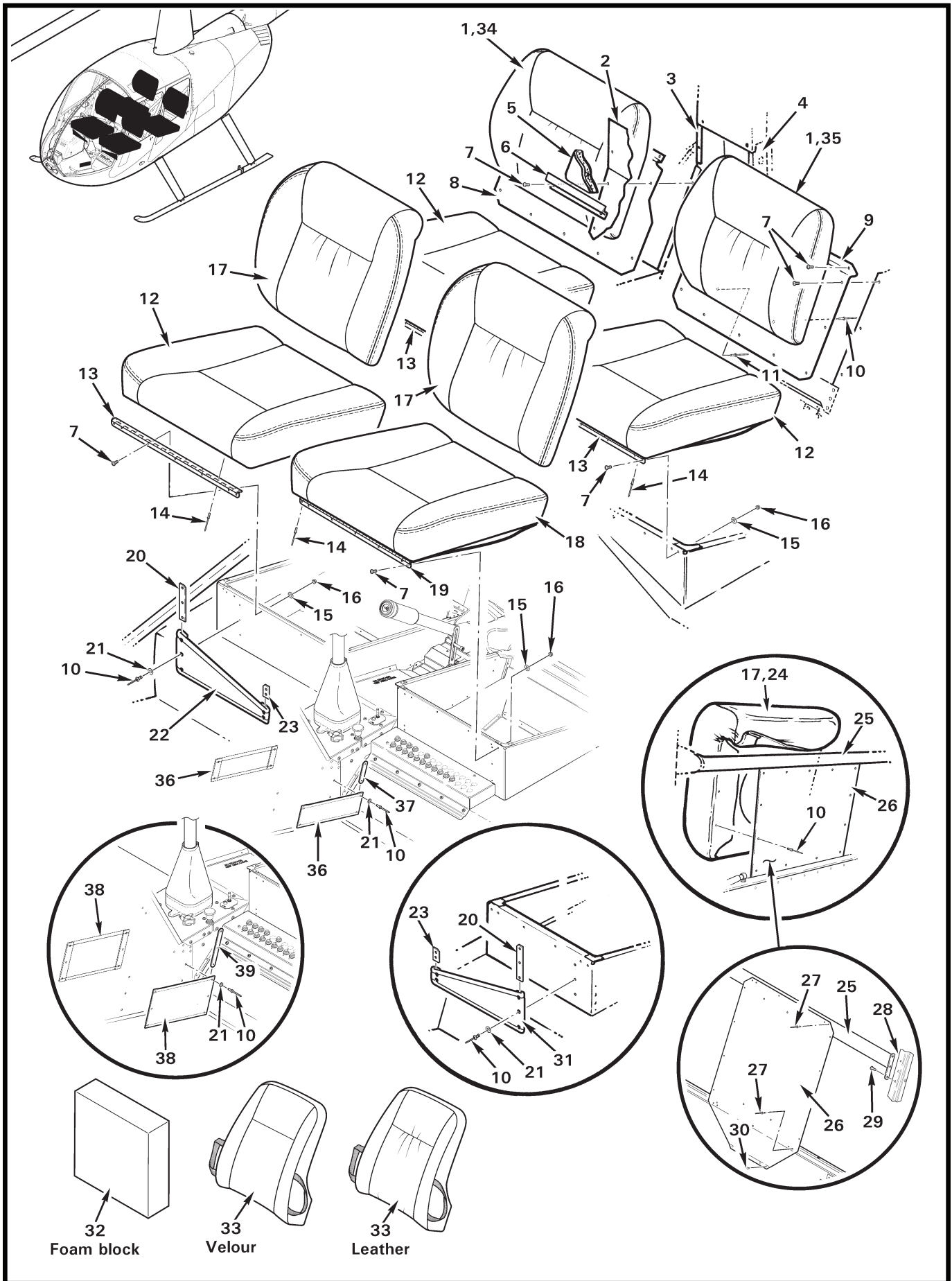


FIGURE AND INDEX NUMBER	PART NUMBER	DESCRIPTION	PARTS AVAIL	QTY PER ASSY
<b>SEAT INSTALLATION</b>				
25-1-1	F936-2*	Backrest Assembly – Aft (RH and LH) . . . . .	X	2
2	C474-1	Cover (Ref)		
3	C351-2	Brace – Aft Seat Back (RH) . . . . .	X	1
4	C351-1	Brace – Aft Seat Back (LH) . . . . .	X	1
5	C003-2	Insulation (Ref; see Figure 25-33)		
6	C474-3	Trim (Ref; see Figure 6-11) . . . . .	X	1
7	MS27039C0806	Screw . . . . .	X	54
8	C465-2	Panel (RH) . . . . .	X	1
9	C465-1	Panel (LH) . . . . .	X	1
10	B204-2	Rivet (blind) . . . . .	X	51
11	B204-3	Rivet (blind, lower aft backrests only) . . . . .	X	4
12	C928-9*	Seat Assembly (Incl items 13 and 14) . . . . .	X	3
13	C928-5	Hinge . . . . .	X	1
14	B204-4	Rivet (blind, countersunk) . . . . .	X	39
15	NAS1149FN816P	Washer . . . . .	X	27
16	MS21042L08	Nut . . . . .	X	27
17	F936-1*	Backrest Assembly – Fwd (RH and LH, install using items 10 and 24) . . . . .	X	2
18	C930-9*	Seat Assembly – Fwd (LH, includes items 14 and 19) . . . . .	X	1
19	C930-6	Hinge . . . . .	X	1
20	A913-1	Strip (earlier R44s, this location) . . . . .	X	1
21	NAS1149FN632P	Washer . . . . .	X	13
22	A912-1	Pocket . . . . .	X	1
23	A913-2	Strip (earlier R44s, this location) . . . . .	X	1
24	B270-18	Adhesive . . . . .	X	A/R
25	C423-1	Tube Assembly – Forward Seat Backs . . . . .	X	1
26	C925-1**	Panel – Forward Back Rest (LH and RH) . . . . .	X	2
27	NAS9301B-4-02	Rivet . . . . .	X	11
28	C403-11	Post Assembly (LH, Ref)		
29	MS27039C0807	Screw . . . . .	X	6
30	MS20470AD3	Rivet . . . . .	X	8
31	A912-4	Pocket (LH, earlier R44s) . . . . .	X	1
32	A693-1	Cushion (for shorter pilots, 14 in. X 14 in. X 3 in. foam block)	X	1
33	A693-2*	Cushion Assembly (optional; for shorter pilots) . . . . .	X	1
34	C003-10*	Seat Back Assembly – RH (Incl items 1, 8, and 10) . . . . .	X	1

NOTES \* Refer to *chart* at the end of parts list when ordering. Include code after dash no., for example, F936-2 in gray velour, order "F936-2GRV".  
 \*\* C933 is superseded by C925-1.

Continues

FIGURE AND INDEX NUMBER	PART NUMBER	DESCRIPTION	PARTS AVAIL	QTY PER ASSY														
<b>SEAT INSTALLATION (Cont'd)</b>																		
25-1-35	C003-11*	Seat Back Assembly – LH (Incl items 1, 9, and 10) . . . . .	X	1														
36	A912-6	Pocket Assembly (RH and LH) . . . . .	X	2														
37	A913-5	Strip (earlier R44s, this location) . . . . .	X	A/R														
38	A912-5*	Pocket Assembly (RH and LH, earlier R44s) . . . . .	X	1														
39	A913-3	Strip (earlier R44s) . . . . .	X	2														
<table border="1" data-bbox="784 625 1118 926"> <thead> <tr> <th>Code</th> <th>Definition</th> </tr> </thead> <tbody> <tr> <td>GRL</td> <td>Gray leather</td> </tr> <tr> <td>GRV</td> <td>Gray velour</td> </tr> <tr> <td>TNL</td> <td>Tan leather</td> </tr> <tr> <td>TNV</td> <td>Tan velour</td> </tr> <tr> <td>CHL</td> <td>Charcoal leather</td> </tr> <tr> <td>CHV</td> <td>Charcoal velour</td> </tr> </tbody> </table>					Code	Definition	GRL	Gray leather	GRV	Gray velour	TNL	Tan leather	TNV	Tan velour	CHL	Charcoal leather	CHV	Charcoal velour
Code	Definition																	
GRL	Gray leather																	
GRV	Gray velour																	
TNL	Tan leather																	
TNV	Tan velour																	
CHL	Charcoal leather																	
CHV	Charcoal velour																	

NOTES \* Refer to *chart* at the end of parts list when ordering. Include code after dash no., for example, C003-11 in tan leather, order "C003-11TNL".

Intentionally Blank

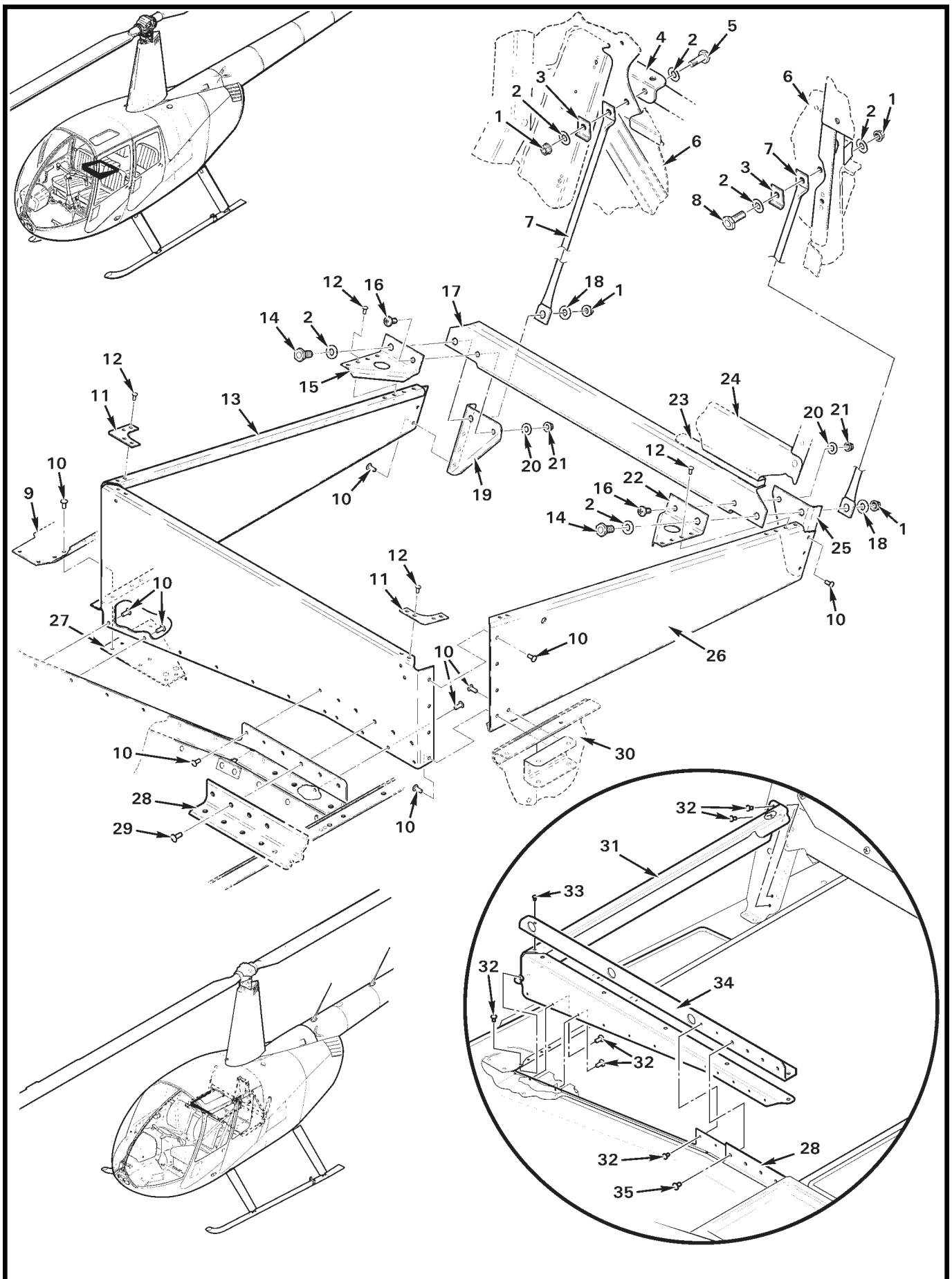


FIGURE AND INDEX NUMBER	PART NUMBER	DESCRIPTION	PARTS AVAIL	QTY PER ASSY
<b>AFT SEAT SUPPORT INSTALLATION</b>				
25-5-1	D210-4	Nut . . . . .	X	8
2	NAS1149F0432P	Washer . . . . .	X	12
3	C632-1	Angle . . . . .	X	4
4	C046-2	Lower Frame (Ref)		
5	NAS6604-4	Bolt (upper outboard location) . . . . .	X	2
6	C015	Cabin Assembly (Ref)		
7	C381-1	Strap . . . . .	X	4
8	NAS6604-3	Bolt . . . . .	X	2
9	C287-2	Panel (RH) . . . . .	X	1
	C287-1	Panel (LH, not shown) . . . . .	X	1
10	MS20470AD4	Rivet . . . . .	X	55
11	A291-7	Gusset . . . . .	X	4
12	NAS1097AD3	Rivet . . . . .	X	32
13	C291-4	Support (RH) . . . . .	X	1
	C291-3	Support (LH, not shown) . . . . .	X	1
14	NAS6604-2	Bolt . . . . .	X	4
15	C248-2	Gusset . . . . .	X	2
16	MS27039C1-06	Screw . . . . .	X	4
17	C249-1	Beam . . . . .	X	2
18	NAS1149F0463P	Washer . . . . .	X	4
19	C248-4	Bracket (RH) . . . . .	X	2
20	NAS1149F0332P	Washer . . . . .	X	4
21	D210-3	Nut . . . . .	X	4
22	C248-1	Gusset . . . . .	X	2
23	A260-5	Tape – Foam . . . . .	X	A/R
24	C288-1	Beam (Ref)		
25	C248-3	Bracket (LH) . . . . .	X	2
26	C291-6	Support (RH) . . . . .	X	1
	C291-5	Support (LH, not shown) . . . . .	X	1
27	C382-1	Panel . . . . .	X	1
28	C374-1	Angle (Ref)		
29	MS20470AD5	Rivet (Ref; [4] at this location) . . . . .	X	14
30	C292-2	Keel Panel (Ref)		
31	C704-2*	Support – RH . . . . .	X	1
	C704-1*	Support (LH, not shown) . . . . .	X	1

NOTES \* Ship S/N 30001 and subsequent.

Continues

FIGURE AND INDEX NUMBER	PART NUMBER	DESCRIPTION	PARTS AVAIL	QTY PER ASSY
AFT SEAT SUPPORT INSTALLATION (Cont'd)				
25-5-32	MS20470AD4*	Rivet .....	X	38
33	MS20470AD3*	Rivet .....	X	2
34	C704-12*	Angle – RH .....	X	1
	C704-11*	Angle (LH, not shown) .....	X	1
35	MS20470AD5*	Rivet .....	X	8

NOTES \* Ship S/N 30001 and subsequent.



Intentionally Blank

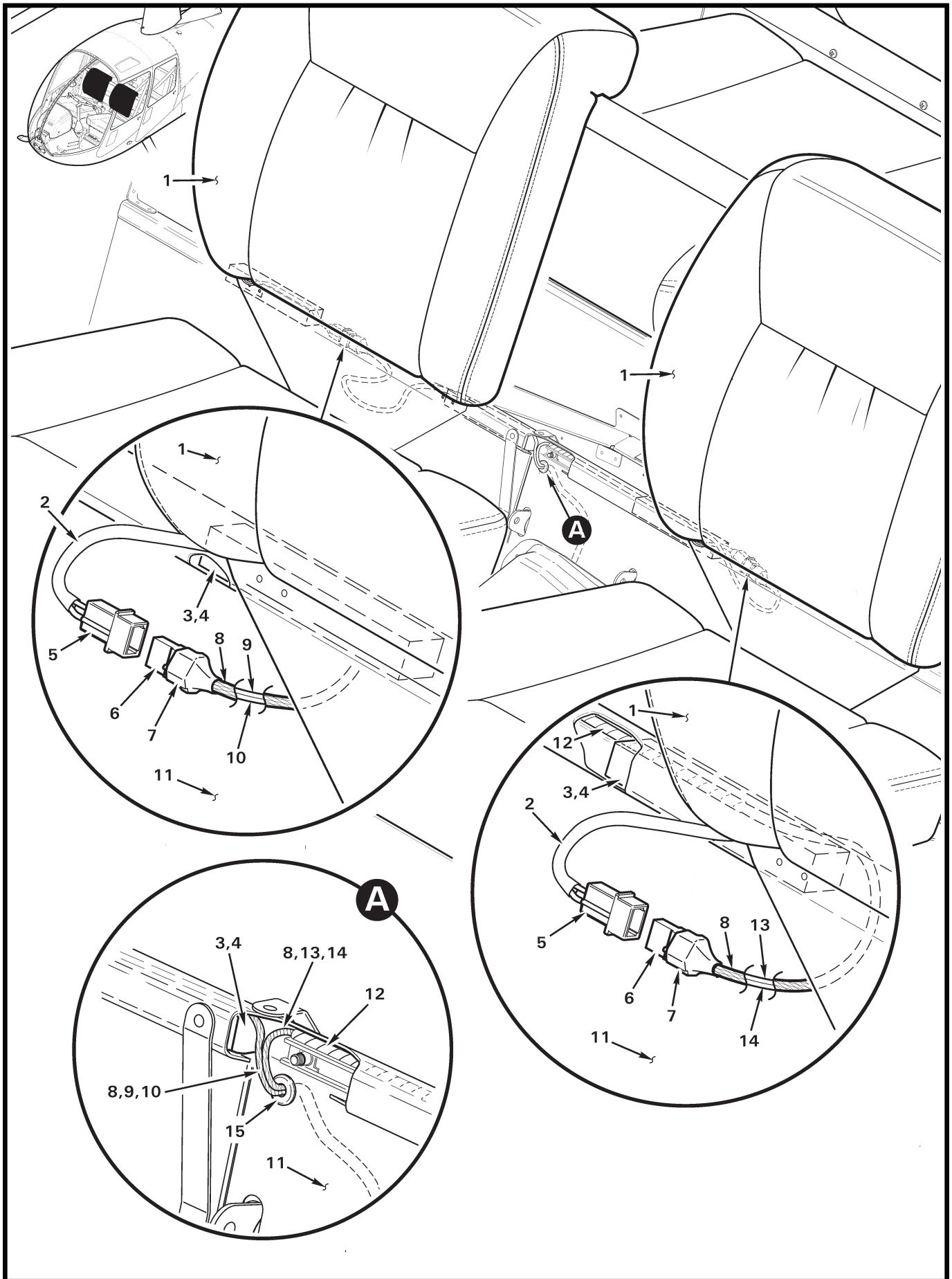


FIGURE AND INDEX NUMBER	PART NUMBER	DESCRIPTION	PARTS AVAIL	QTY PER ASSY
<b>HEATED SEATS – BACKREST INSTALLATION</b>				
25-9-1	F936-5	Back Rest Assembly (RH and LH; includes items 2 thru 5) . . .	X	2
2	B158-3	Heat Shrink . . . . .	X	A/R
3	F941-5 *	Foam (install using item 4) . . . . .	X	3
4	B270-8QT	Adhesive . . . . .	X	A/R
5	B263-32	Housing . . . . .	X	1
	B263-1	Pin . . . . .	X	2
	B158-3	Heat Shrink . . . . .	X	A/R
6	B263-33	Housing . . . . .	X	1
	B263-2	Socket . . . . .	X	2
	B268-3	Lacing Tape . . . . .	X	A/R
7	B158-6	Heat Shrink (around item 6 ) . . . . .	X	A/R
8	B266-4	Sleeving . . . . .	X	A/R
9	C938-2864	Wire (Ref)		
10	C938-2865	Wire (Ref)		
11	C370-1	Panel (Ref)		
12	B161-4	Spirap . . . . .	X	A/R
13	C938-2868	Wire (Ref)		
14	C938-2869	Wire (Ref)		
15	MS35489-4	Grommet . . . . .	X	1

NOTES

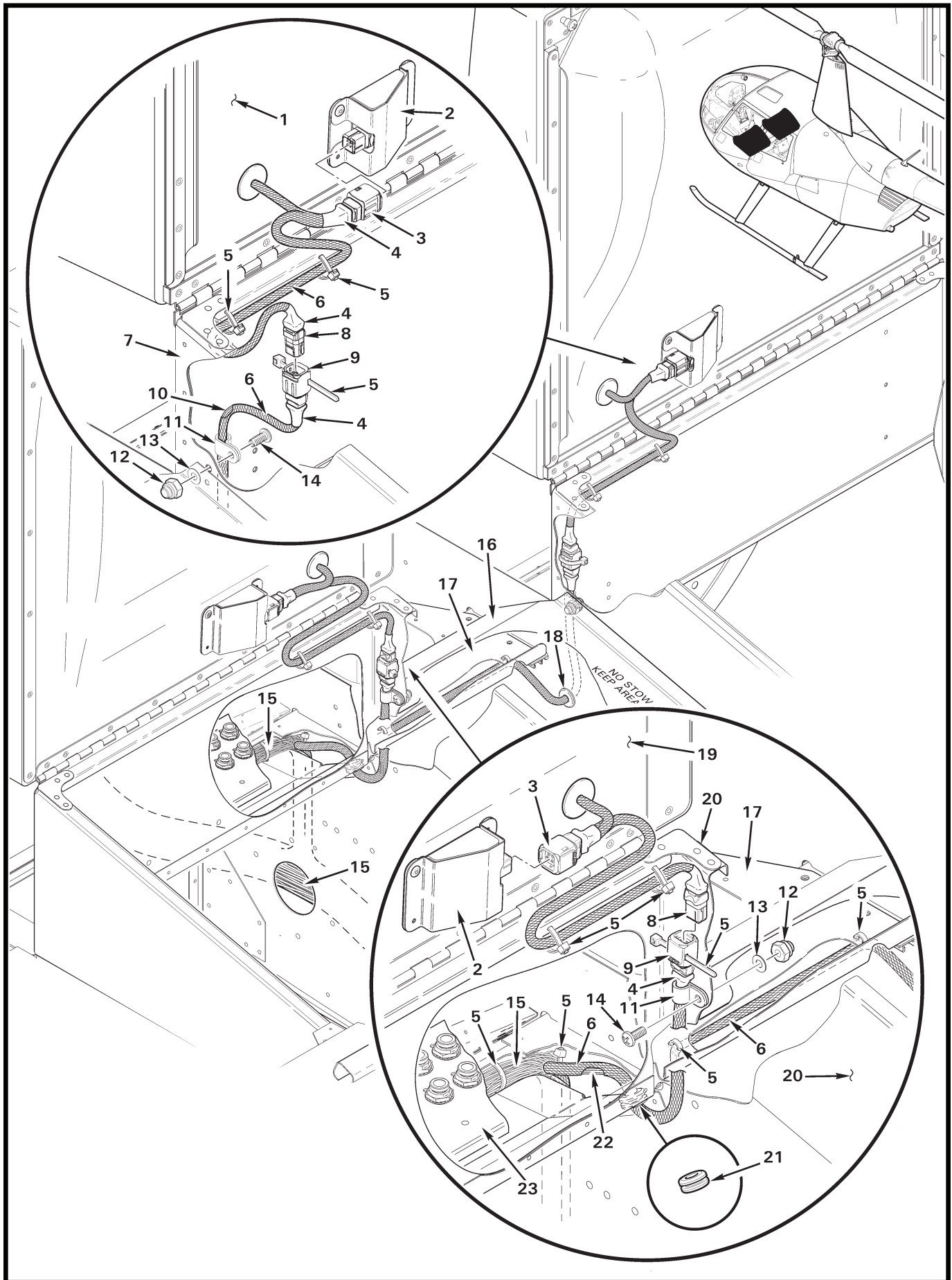


FIGURE AND INDEX NUMBER	PART NUMBER	DESCRIPTION	PARTS AVAIL	QTY PER ASSY
<b>HEATED SEATS – SEAT CUSHION INSTALLATION</b>				
25-11-1	C928-11	Seat Assembly (RH, forward; includes items 2, 4, 6, and 8) . .	X	1
	2 F941-1	Module Assembly (Ref)		
	3 D269-11	Plug . . . . .	X	1
	4 B158-6	Heat Shrink . . . . .	X	A/R
	5 MS3367-4-0	Ty-Rap . . . . .	X	A/R
	6 B266-4	Sleeving . . . . .	X	A/R
	7 C290-4	Support Assembly – Seat (Ref, RH)		
	8 D269-8	Receptacle . . . . .	X	1
	9 D269-7	Plug . . . . .	X	1
10	C938-2417	Wire (Ref)		
	C938-2418	Wire (Ref)		
	C938-2864	Wire (Ref)		
	C938-2886	Wire (Ref)		
	C938-2887	Wire (Ref)		
11	N-4-BK	Clamp . . . . .	X	2
12	B340-4	Nut . . . . .	X	2
13	NAS1149FN816P	Washer . . . . .	X	2
14	MS27039C0806	Screw . . . . .	X	2
15	C859	Harness Assembly – Cabin (Ref)		
16	C445-1	Cover Assembly (Ref)		
17	D338-3	Plate (Ref)		
18	MS35489-6	Grommet . . . . .	X	1
19	C930-11	Seat Assembly (LH, forward; includes items 2, 4, 6, and 8) . .	X	1
20	C297-5	Support Assembly – Seat (Ref, LH)		
21	G1042	Grommet . . . . .	X	1
22	C938-2420	Wire (Ref)		
	C938-2421	Wire (Ref)		
	C938-2868	Wire (Ref)		
	C938-2870	Wire (Ref)		
	C938-2871	Wire (Ref)		
23	C490	Circuit Breaker Panel (Ref)		

NOTES

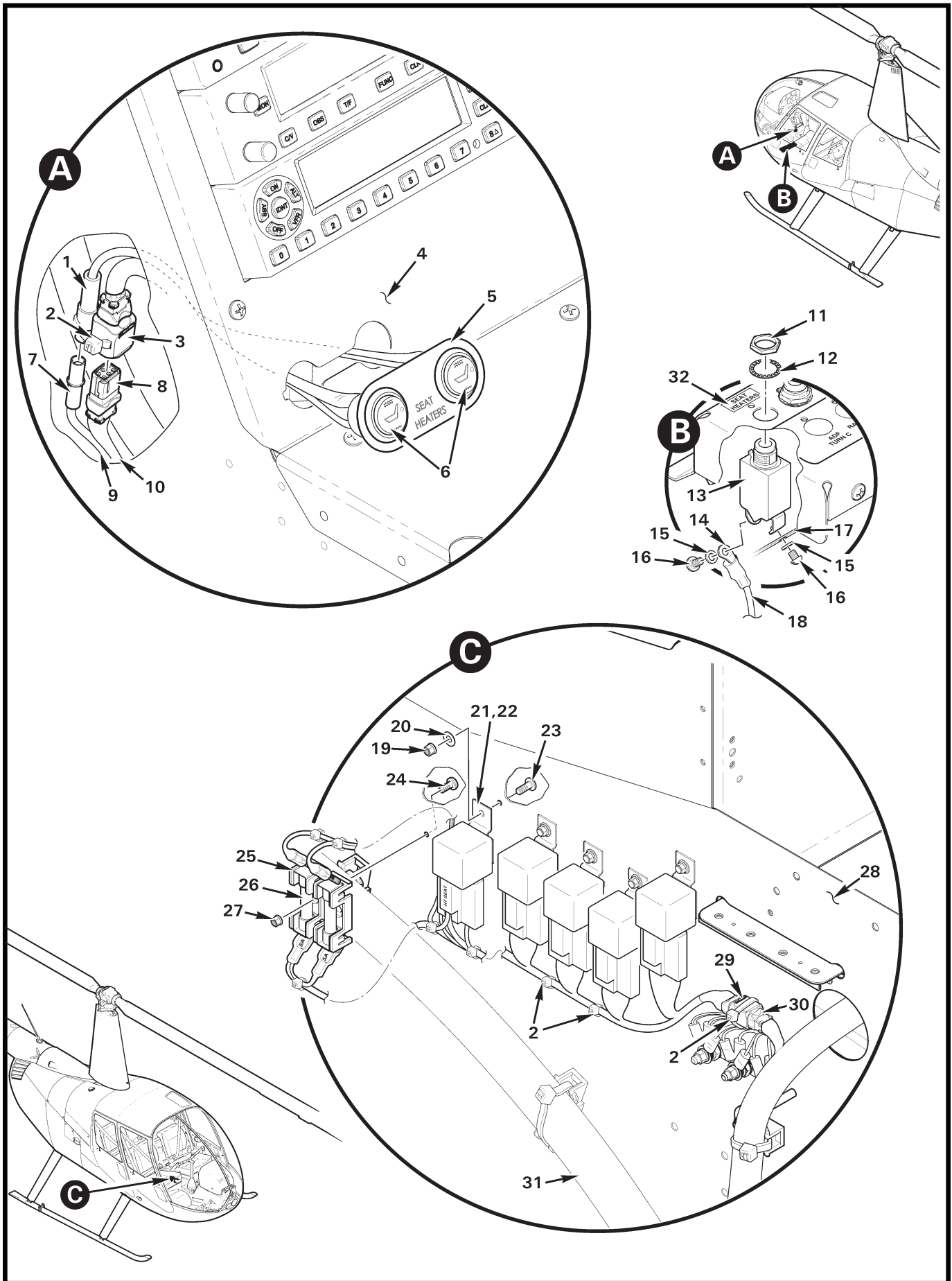


FIGURE AND INDEX NUMBER	PART NUMBER	DESCRIPTION	PARTS AVAIL	QTY PER ASSY
<b>HEATED SEATS – WIRING INSTALLATION</b>				
25-13-1	B263-10	Housing . . . . .	X	1
	B263-1	Pin . . . . .	X	1
2	MS3367-4-9	Ty-Rap . . . . .	X	A/R
3	D269-5	Plug . . . . .	X	1
4	D225	Avionics Panel (Ref)		
5	F372-4	Plate . . . . .	X	1
6	F940-5	Switch Assembly (Incl items 1, 3, and 5) . . . . .	X	1
7	B263-11	Housing . . . . .	X	1
	B263-2	Socket . . . . .	X	1
8	D269-6	Receptacle . . . . .	X	1
9	-3145	Wire (Ref)		
10	-2416	Wire (Ref)		
	-2417	Wire (Ref)		
	-2418	Wire (Ref)		
	-2419	Wire (Ref)		
	-2420	Wire (Ref)		
	-2421	Wire (Ref)		
11	—	Nut . . . . .	O	1
12	—	Lockwasher . . . . .	O	1
13	B297-10	Circuit Breaker (10 amp, includes items 11, 12, 15, and 16)	X	1
14	B260-11	Terminal . . . . .	X	1
15	—	Washer . . . . .	O	2
16	—	Screw . . . . .	O	2
17	A448	Bus Bar (Ref)		
18	-2413	Wire (Ref)		
19	MS21042L08	Nut . . . . .	X	1
20	NAS1149FN816P	Washer . . . . .	X	1
21	F940-6	Harness Assembly (Incl items 22, 24, and 25) . . . . .	X	1
22	D260-4	Relay . . . . .	X	1
	D260-6	Connector . . . . .	X	1
23	MS27039C0806	Screw . . . . .	X	1

NOTES

Continues

FIGURE AND INDEX NUMBER	PART NUMBER	DESCRIPTION	PARTS AVAIL	QTY PER ASSY
<b>HEATED SEATS – WIRING INSTALLATION (Cont'd)</b>				
25-13-24	MS35206-227*	Screw . . . . .	X	1
25	D262-2	Fuse Block . . . . .	X	1
26	D275-205	Fuse . . . . .	X	2
27	MS21042L06*	Nut . . . . .	X	1
28	C293-4	Panel (Ref)		
29	D269-1	Plug . . . . .	X	1
30	D269-2	Receptacle (Ref)		
31	C859	Wire Harness (Ref)		
32	C654-64	Decal – "SEAT HEATERS" . . . . .	X	1

NOTES \* No thread exposed permissible.



Intentionally Blank

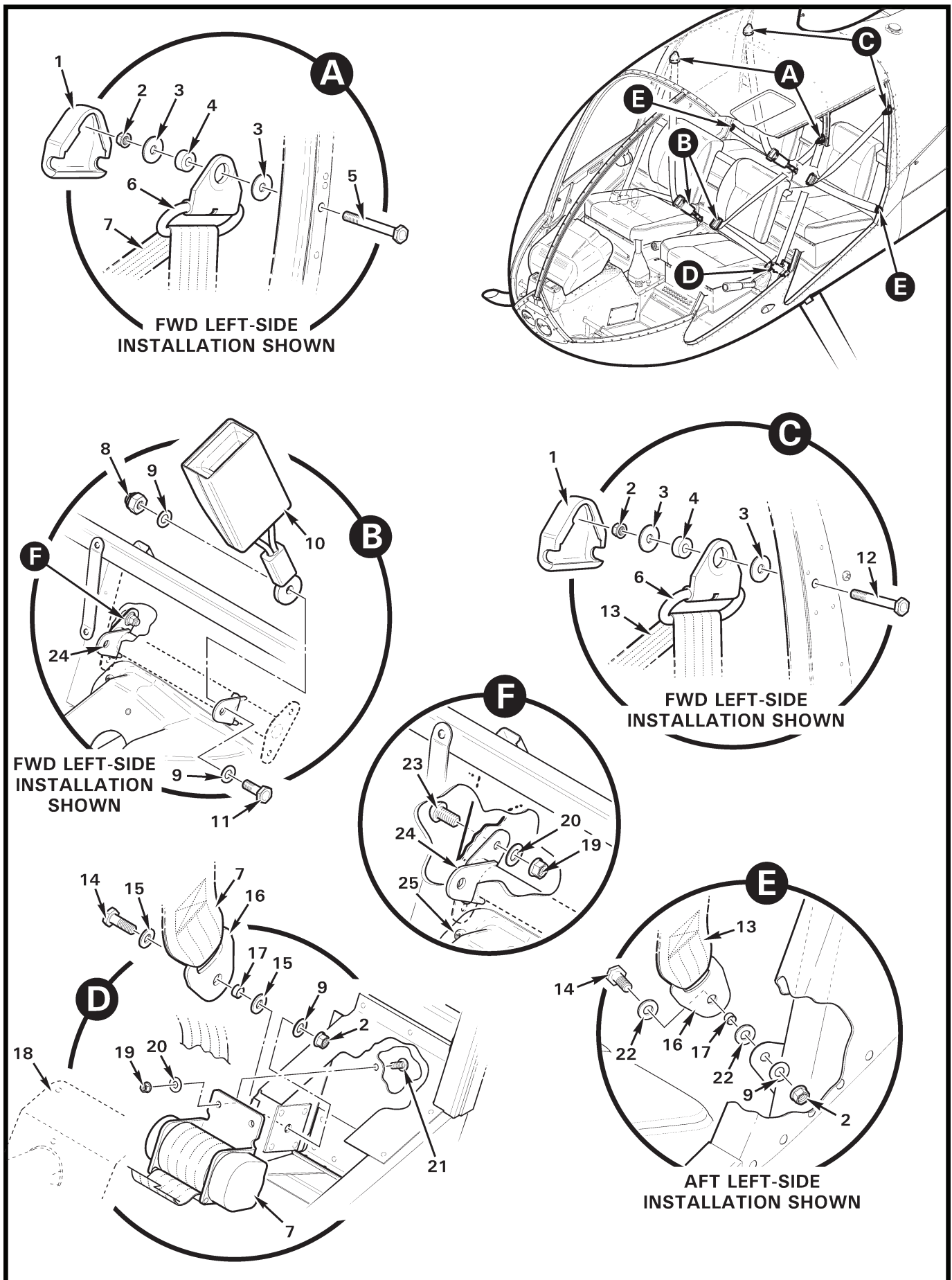


FIGURE AND INDEX NUMBER	PART NUMBER	DESCRIPTION	PARTS AVAIL	QTY PER ASSY
<b>SEAT BELT INSTALLATION</b>				
25-17-1	505798-1	Cover . . . . .	X	4
2	D210-4	Nut . . . . .	X	5
3	A141-14	Washer . . . . .	X	4
4	A130-44	Spacer . . . . .	X	4
5	NAS6604-22	Bolt . . . . .	X	2
6	505561-1	Guide Assembly . . . . .	O	1
7	F628-1	Harness Assembly - Fwd Connector (LH; includes items 1, 6, and 16. Supersedes item 26.) . . . . .	X	1
8	B340-10	Nut . . . . .	X	2
9	NAS1149F0432P	Washer . . . . .	X	7
10	F628-7	Buckle Assembly . . . . .	X	4
11	NAS6604-4	Bolt . . . . .	X	4
12	NAS6604-18	Bolt . . . . .	X	2
13	F628-3	Harness Assembly - Aft Connector (LH & RH; includes items 1, 6, and 16. Supersedes item 27.) . . . . .	X	1
14	NAS6604-5	Bolt . . . . .	X	3
15	NAS1149F0463P	Washer . . . . .	X	2
16	500782-33	Fitting . . . . .	O	1
17	A130-28	Spacer . . . . .	X	3
18	C680-1	Cover Assembly (Ref, see Figure 6-5)		
19	D210-3	Nut . . . . .	X	8
20	NAS1149F0332P	Washer . . . . .	X	8
21	MS27039C1-08	Screw ([4] required on earlier R44s) . . . . .	X	2
22	MS20002-4	Washer . . . . .	X	4
23	MS27039C1-07	Screw ([4] required on earlier R44s) . . . . .	X	6
24	C348-5	Anchor Assembly (forward shown) . . . . .	X	1
	C315-9	Anchor Assembly (Ref; aft anchor. Not shown, see Figure 67-41.)		
25	C680-5	Cover Assembly (Ref, see Figure 6-5)		
26	C628-5	Harness Assembly - Aft Connector (LH & RH; includes items 1, 6, and 16) . . . . .	O	1
27	C628-7	Harness Assembly - Aft Connector (LH & RH; includes items 1, 6, and 16) . . . . .	O	2

NOTES

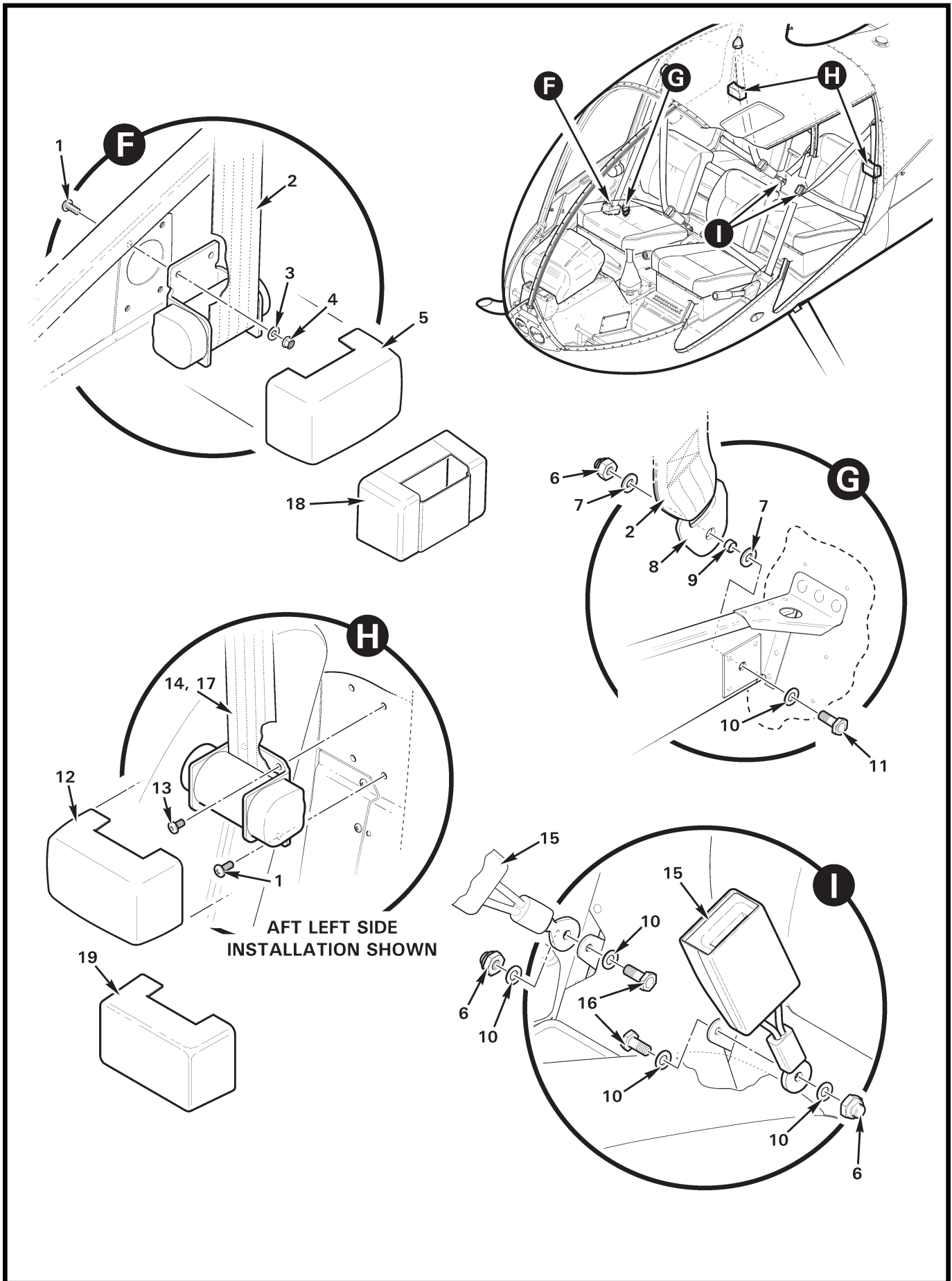


FIGURE AND INDEX NUMBER	PART NUMBER	DESCRIPTION	PARTS AVAIL	QTY PER ASSY
<b>SEAT BELT INSTALLATION</b>				
25-19-1	MS27039C1-09	Screw . . . . .	X	8
2	C628-6	Harness Assembly – Fwd (RH, includes items 8 and 19) . . . .	X	1
3	NAS1149F0332P	Washer . . . . .	X	4
4	D210-3	Nut . . . . .	X	4
5	506354-5	Cover . . . . .	O	1
6	B340-10	Nut . . . . .	X	1
7	MS20002-4	Washer . . . . .	X	2
8	500782-33	Fitting . . . . .	O	1
9	A130-28	Spacer . . . . .	X	1
10	NAS1149F0432P	Washer . . . . .	X	5
11	NAS6604-5	Bolt . . . . .	X	1
12	506354-3	Cover . . . . .	O	1
13	A142-1	Screw . . . . .	X	4
14	F628-3	Harness Assembly – Aft Connector (LH & RH, includes items 8 and 18) . . . . .	X	2
15	F628-7	Buckle Assembly . . . . .	X	2
16	NAS6604-4	Bolt . . . . .	X	2
17	C628-7	Harness Assembly – Aft Connector (LH & RH, includes items 8 and 12; superseded by item 14) . . . . .	O	2
18	505663-5	Cover (earlier R44s) . . . . .	O	2
19	505663-3	Cover (earlier R44s) . . . . .	X	1

NOTES

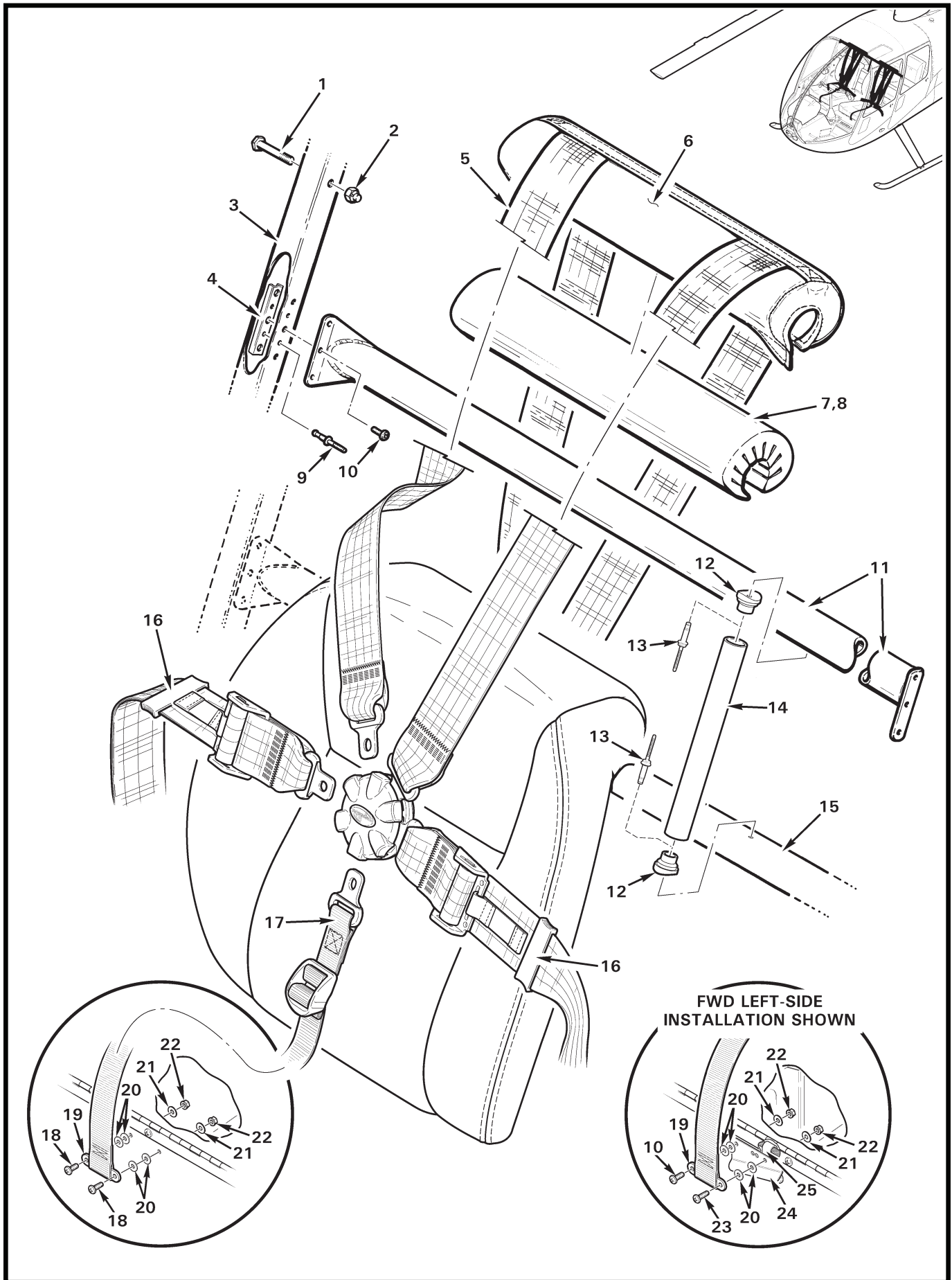


FIGURE AND INDEX NUMBER	PART NUMBER	DESCRIPTION	PARTS AVAIL	QTY PER ASSY
<b>FIVE-POINT HARNESS INSTALLATION*</b>				
25-21-1	NAS6604-17	Bolt . . . . .	X	2
2	B340-10	Nut . . . . .	X	2
3	C403-12	Post – Door (RH, Ref)		
	C403-11	Post – Door (LH, not shown; Ref)		
4	A738-28	Gang Channel . . . . .	X	2
5	C627-6	Harness Assembly (LH and RH, Ref. Includes shoulder/lap/forward restraint belt(s), and inertia reel and cover, assembled. See also Figure 25-23.)		
6	C420-1**	Cover . . . . .	X	2
7	C424-1	Padding (foam, install using item 8) . . . . .	X	2
8	B270-8QT	Adhesive . . . . .	X	A/R
9	NAS9302B-4-03	Rivet . . . . .	X	4
10	MS27039C0807	Screw ([7] required when item 24 is installed) . . . . .	X	6
11	C423-4	Tube . . . . .	X	1
12	C421-5	Fitting . . . . .	X	2
13	NAS9301B-5-06	Rivet . . . . .	X	2
14	C421-2	Tube (Ref)		
15	C423-1	Tube (Ref)		
16	503964-1	Web Slide . . . . .	O	2
17	—	Restraint Belt – Forward . . . . .	O	1
18	MS27039C0806	Screw ([2] required when item 24 is installed) . . . . .	X	4
19	F426-2	Anchor . . . . .	X	2
20	NAS1149FN832P	Washer (under item 19) . . . . .	X	8
21	NAS1149FN816P	Washer . . . . .	X	2
22	MS21042L08	Nut . . . . .	X	2
23	MS27039C0808	Screw (at LH forward, outboard position) . . . . .	X	1
24	G196-7	Light Assembly (Ref, see also Figure 33-19)		
25	N-4-BK	Clamp (Ref)		

Code	Definition
GRL	Gray leather
GRV	Gray vinyl
TNL	Tan leather
TNV	Tan vinyl
CHL	Charcoal leather
CHV	Charcoal vinyl
BKV	Black vinyl

**NOTES** \* Optional equipment. Refer to KI-155-1 for field installation.  
 \*\* Refer to *chart* at the end of parts list when ordering. Include code after dash no., for example, C420-1 in black vinyl, order "C420-1BKV".



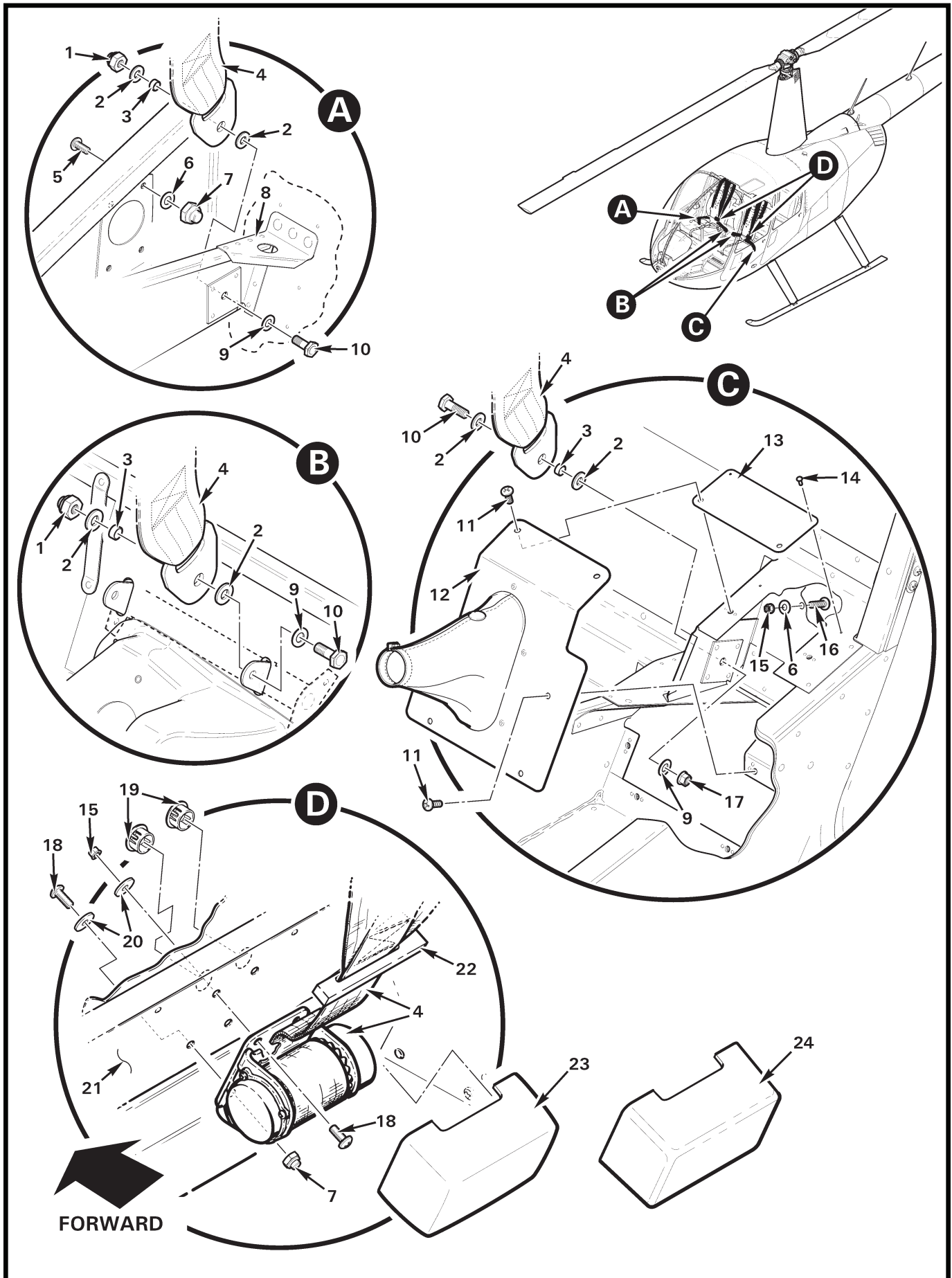




FIGURE AND INDEX NUMBER	PART NUMBER	DESCRIPTION	PARTS AVAIL	QTY PER ASSY
<b>FIVE-POINT HARNESS INSTALLATION*</b>				
25-23-1	B340-10	Nut . . . . .	X	3
2	MS20002-4	Washer . . . . .	X	8
3	A130-28	Spacer . . . . .	X	4
4	C627-6**	Harness Assembly (LH and RH; Ref. Includes items 22 and 23. See also Figure 25-21.)		
5	AN525-10R7	Screw . . . . .	X	4
6	NAS1149F0332P	Washer . . . . .	X	8
7	B340-8	Nut . . . . .	X	6
8	C290-4	Seat Support (RH, Ref)		
9	NAS1149F0432P	Washer . . . . .	X	4
10	NAS6604-5	Bolt . . . . .	X	4
11	MS27039C0806	Screw (Ref)		
12	C680-1	Cover Assembly (Ref; see Figure 6-5)		
13	C680-4	Cover . . . . .	X	1
14	MS20470AD3	Rivet . . . . .	X	2
15	D210-3	Nut . . . . .	X	8
16	MS27039C1-06	Screw . . . . .	X	4
17	D210-4	Nut . . . . .	X	1
18	MS27039C1-07	Screw . . . . .	X	8
19	2663	Hole Plug . . . . .	X	4
20	A141-17	Washer . . . . .	X	8
21	C370-1	Panel (LH, Ref)		
22	C623-1	Block . . . . .	O	1
	C623-2	Plate . . . . .	O	1
	C623-3	Spring . . . . .	O	1
23	506354-3	Cover . . . . .	X	1
24	505663-3	Cover . . . . .	X	1

NOTES \* RH outboard and inboard position.  
 \*\* Optional equipment. Refer to KI-155-1 for field installation.

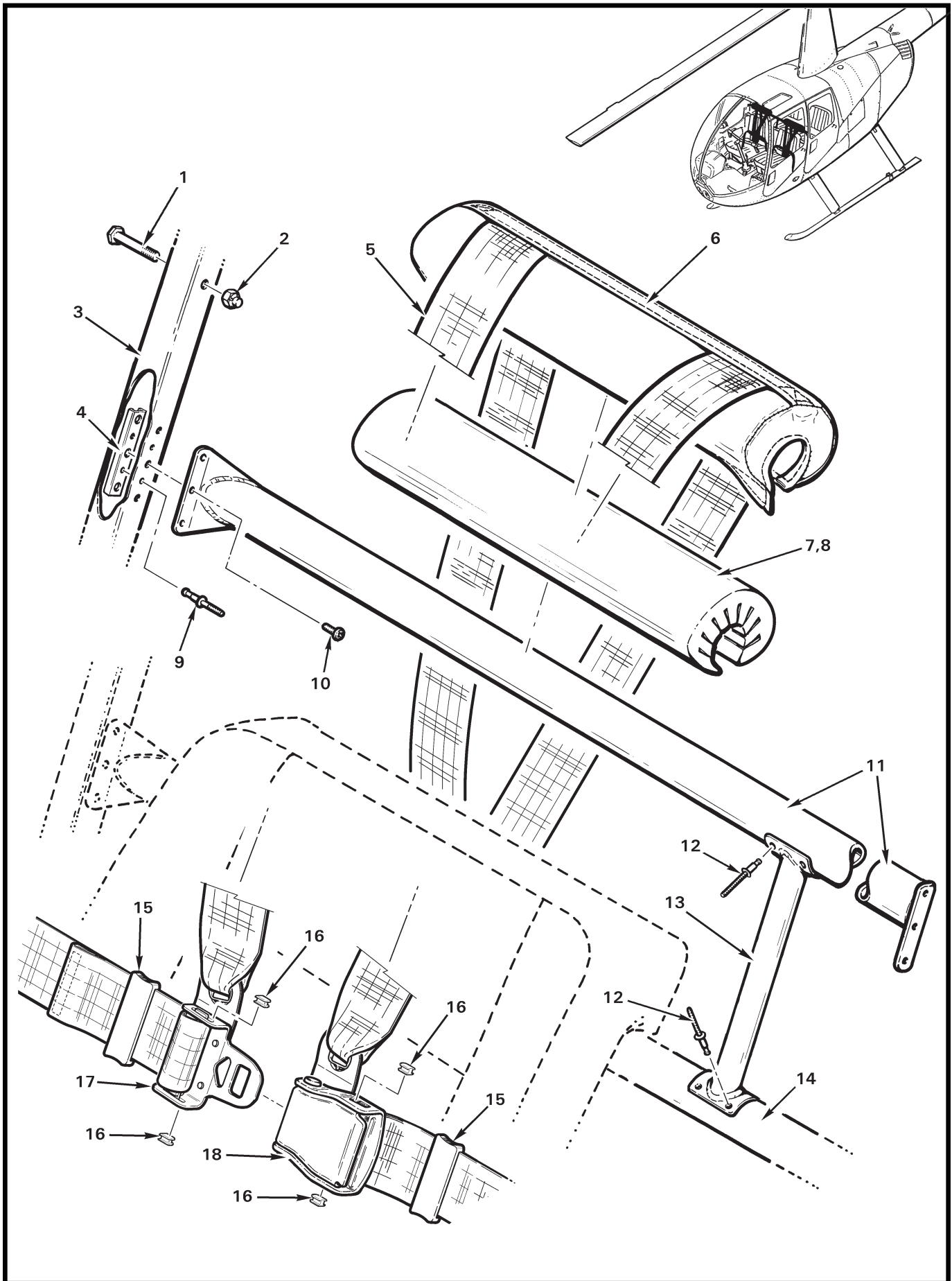


FIGURE AND INDEX NUMBER	PART NUMBER	DESCRIPTION	PARTS AVAIL	QTY PER ASSY
<b>FOUR-POINT HARNESS INSTALLATION</b>				
25-25-1	NAS6604-17	Bolt . . . . .	X	2
2	B340-10	Nut . . . . .	X	2
3	C403-12	Post – Door (RH, Ref)		
	C403-11	Post – Door (LH, not shown; Ref)		
4	A738-28	Gang Channel . . . . .	X	2
5	C627-5*	Harness Assembly (LH and RH, Ref. Includes shoulder/lap belts, inertia reel and cover, and items 15 thru 18, assembled. See also Figure 25-27.)		
	C627-4*	Harness Assembly (LH and RH, Ref)		
6	C420-1**	Cover . . . . .	X	2
7	C424-1	Padding (foam, install using item 8) . . . . .	X	2
8	B270-8QT	Adhesive . . . . .	X	A/R
9	NAS9302B-4-03	Rivet (2 each side) . . . . .	X	4
10	MS27039C0807	Screw . . . . .	X	6
11	C423-4	Tube . . . . .	X	1
12	NAS9301B-4-02	Rivet . . . . .	X	8
13	C421-1*	Tube (Ref)		
14	C423-1	Tube (Ref)		
15	503964-1	Web Slide . . . . .	O	2
16	502913	Plug . . . . .	X	4
17	—	Connector Assembly (Ref)		
18	—	Buckle Assembly (Ref)		

Code	Definition
GRL	Gray leather
GRV	Gray vinyl
TNL	Tan leather
TNV	Tan vinyl
CHL	Charcoal leather
CHV	Charcoal vinyl
BKV	Black vinyl

**NOTES** \* No longer available. Refer to KI-155-2 to upgrade to five-point harness.  
 \*\* Refer to chart at the end of parts list when ordering. Include code after dash no., for example, C420-1 in black vinyl, order "C420-1BKV".

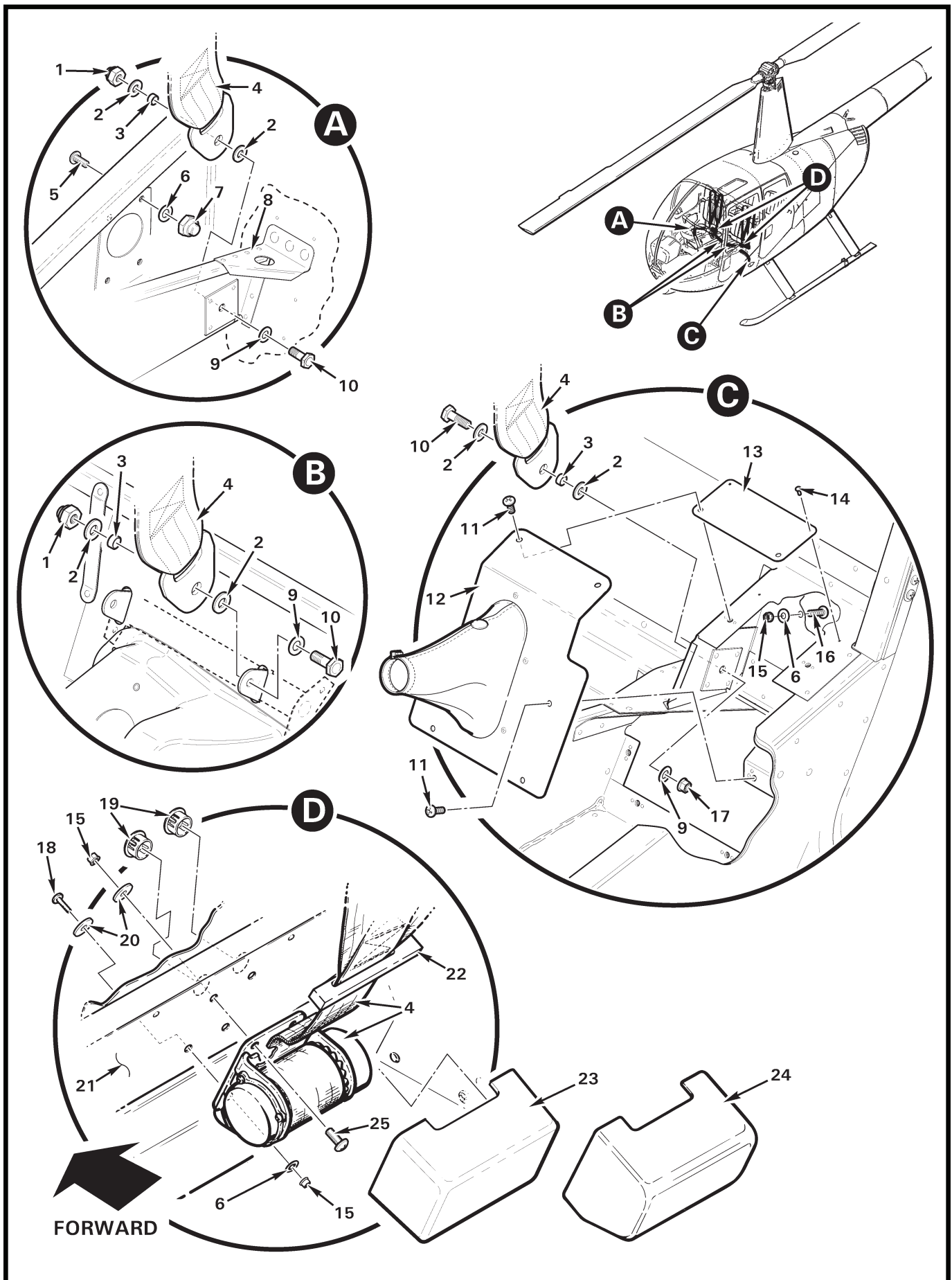


FIGURE AND INDEX NUMBER	PART NUMBER	DESCRIPTION	PARTS AVAIL	QTY PER ASSY
		<b>FOUR-POINT HARNESS INSTALLATION*</b>		
25-27-1	B340-10	Nut . . . . .	X	3
2	MS20002-4	Washer (supersedes NAS1149F0463P) . . . . .	X	8
3	A130-28	Spacer . . . . .	X	3
4	C627-5**	Harness Assembly (Ref; LH and RH. Includes items 22 and 23. See also Figure 25-25.)		
	C627-4**	Harness Assembly (LH and RH, not shown; includes items 22 and 24. See also Figure 25-25.)		
5	AN525-10R7	Screw . . . . .	X	4
6	NAS1149F0332P	Washer . . . . .	X	12
7	B340-8	Nut ([2] at upper locations of standard harness inertia reel mount; [4] at upper and lower locations on earlier R44s, not shown) . . . . .	X	8
8	C290-4	Seat Support (RH, Ref)		
9	NAS1149F0432P	Washer . . . . .	X	4
10	NAS6604-5	Bolt . . . . .	X	4
11	MS27039C0806	Screw (Ref)		
12	C680-1	Cover Assembly (Ref; see Figure 6-5)		
13	C680-4	Cover . . . . .	X	1
14	MS20470AD3-3	Rivet . . . . .	X	2
15	D210-3	Nut . . . . .	X	12
16	MS27039C1-06	Screw . . . . .	X	4
17	D210-4	Nut . . . . .	X	1
18	MS27039C1-10	Screw . . . . .	X	4
19	2663	Hole Plug . . . . .	X	4
20	A141-17	Washer . . . . .	X	8
21	C370-1	Panel (LH, Ref)		
22	C623-1	Block . . . . .	O	1
	C623-2	Plate . . . . .	O	1
	C623-3	Spring . . . . .	O	1
23	505663-3	Cover . . . . .	X	1
24	502224	Cover (earlier R44s) . . . . .	O	1
25	MS27039C1-07	Screw . . . . .	X	4

NOTES \* Outboard and inboard position.  
 \*\* No longer available. Refer to KI-155-2 to upgrade to five-point harness.

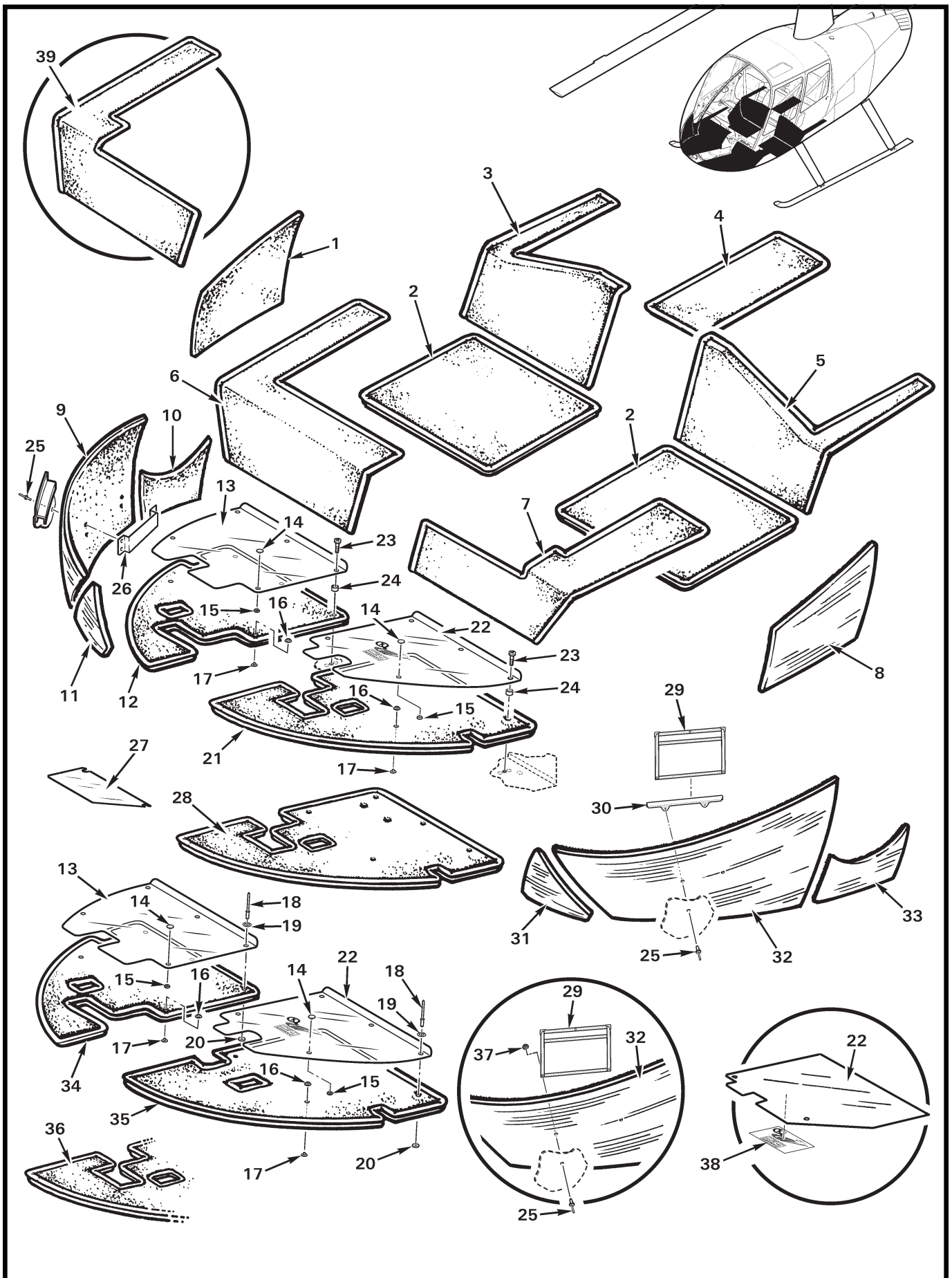


FIGURE AND INDEX NUMBER	PART NUMBER	DESCRIPTION	PARTS AVAIL	QTY PER ASSY
<b>CARPET INSTALLATION*</b>				
25-29-1	C469-16**	Carpet – Aft (RH) . . . . .	X	1
2	C469-7**	Carpet Assembly – Aft (RH and LH, includes pad) . . . . .	X	2
3	C469-34**	Carpet Assembly – Aft (RH) . . . . .	X	1
	C469-6**	Carpet Assembly – Aft (RH, w/o aft heater; not shown) . . . . .	X	1
4	C469-8**	Carpet Assembly (Tunnel). . . . .	X	1
5	C469-33	Carpet Assembly – Aft (LH, with aft heater) . . . . .	X	1
	C469-5**	Carpet Assembly – Aft (LH, w/o aft heater; not shown) . . . . .	X	1
6	C469-4**	Carpet Assembly – Fwd (RH) . . . . .	X	1
7	C469-38	Carpet Assembly – Fwd (LH, for use with raised C.B. panel) . .	X	1
	C469-3**	Carpet Assembly – Fwd (LH, for use with flush C.B. panel; not shown) . . . . .	X	1
8	C469-15**	Carpet – Aft (LH) . . . . .	X	1
9	C469-12**	Carpet (RH) . . . . .	X	1
10	C469-14**	Carpet (RH) . . . . .	X	1
11	C469-10**	Carpet (RH) . . . . .	X	1
12	C469-46**	Carpet Assembly – Fwd (RH, with screwed-down scuff plate. Includes items 13, 16, 17, and pad.) . . . . .	X	1
13	C469-25	Scuff Plate Assembly (RH, Incl items 14, 15, and 41) . . . . .	X	1
14	MS27981-1B	Button . . . . .	X	4
15	MS27981-3B	Socket . . . . .	X	4
16	MS27981-4B	Stud . . . . .	X	4
17	MS27981-5B	Eyelet . . . . .	X	4
18	B204-4	Rivet (blind) . . . . .	X	6
19	A3236-012-193	Washer . . . . .	X	6
20	90183A213	Washer . . . . .	X	6
21	C469-45**	Carpet Assembly – Fwd (LH, with screwed-down scuff plate. Includes items 16, 17, 22, and pad.) . . . . .	X	1
22	C469-31	Scuff Plate Assembly (LH, Incl items 14, 15, 39, and 41) . .	X	1
23	MS27039C0810	Screw . . . . .	X	6
24	A130-33	Spacer . . . . .	X	6
25	B204-2	Rivet (blind; [4] rivets installed through item 26, [2] installed through items 29 and 30) . . . . .	X	6
26	A745-1	Strap . . . . .	X	1
27	B392-2	Cover (install when co-pilot pedals are removed) . . . . .	X	1
28	C469-53	Carpet Assembly (LH, with LH heater outlet, floor intercom switches) . . . . .	X	1

NOTES \* Available in dark charcoal only.  
 \*\* Install using item 40.

Continues



FIGURE AND INDEX NUMBER	PART NUMBER	DESCRIPTION	PARTS AVAIL	QTY PER ASSY
CARPET INSTALLATION* (Cont'd)				
25-29-29	13-07900	License Holder . . . . .	X	1
30	B632-1	Channel . . . . .	X	1
31	C469-9**	Carpet (LH) . . . . .	X	1
32	C469-11**	Carpet (LH) . . . . .	X	1
33	C469-13**	Carpet (LH) . . . . .	X	1
34	C469-2**	Carpet Assembly (RH, with riveted scuff plate. Includes items 13, 16 thru 20, and pad.) . . . . .	X	1
35	C469-1**	Carpet Assembly (LH, without LH heater outlet. Includes items 16 thru 20, 22, and pad.) . . . . .	X	1
36	C469-37**	Carpet Assembly (LH, with LH heater outlet. Includes items 16 thru 20, 22, and pad) . . . . .	X	1
37	NAS620-5	Washer . . . . .	X	2
38	A654-85	Decal – "Danger" (earlier R44s; replace with C469-31 scuff plate) . . . . .	O	1
39	C469-43**	Carpet Assembly – Fwd (RH, for use with raised Aux C.B. panel) . . . . .	X	1
40	B270-8QT	Adhesive . . . . .	X	A/R
* * *				
41	C469-1K1	Installation Hardware Kit (Incl items 42 thru 46; for use with riveted scuff plate) . . . . .	X	1
42	90183A213	Washer . . . . .	X	3
43	A3236-012-193	Washer . . . . .	X	3
44	B204-4	Rivet (blind) . . . . .	X	3
45	MS27981-4B	Stud . . . . .	X	2
46	MS27981-5B	Eyelet . . . . .	X	2
* * *				
47	C469-1K2	Installation Hardware Kit (Incl items 48 [3 each] and 49 [3 each]; for use with 3-screw scuff plate) . . . . .	X	1
48	A130-33	Spacer . . . . .	X	A/R
49	AN525-832R10	Screw . . . . .	X	A/R
* * *				
50	C469-1K3	Installation Hardware Kit (Incl items 48 [5 each] and 49 [5 each]; for use with 5-screw scuff plate) . . . . .	X	1

NOTES \* Available in dark charcoal only.  
 \*\* Install using item 40.



Intentionally Blank

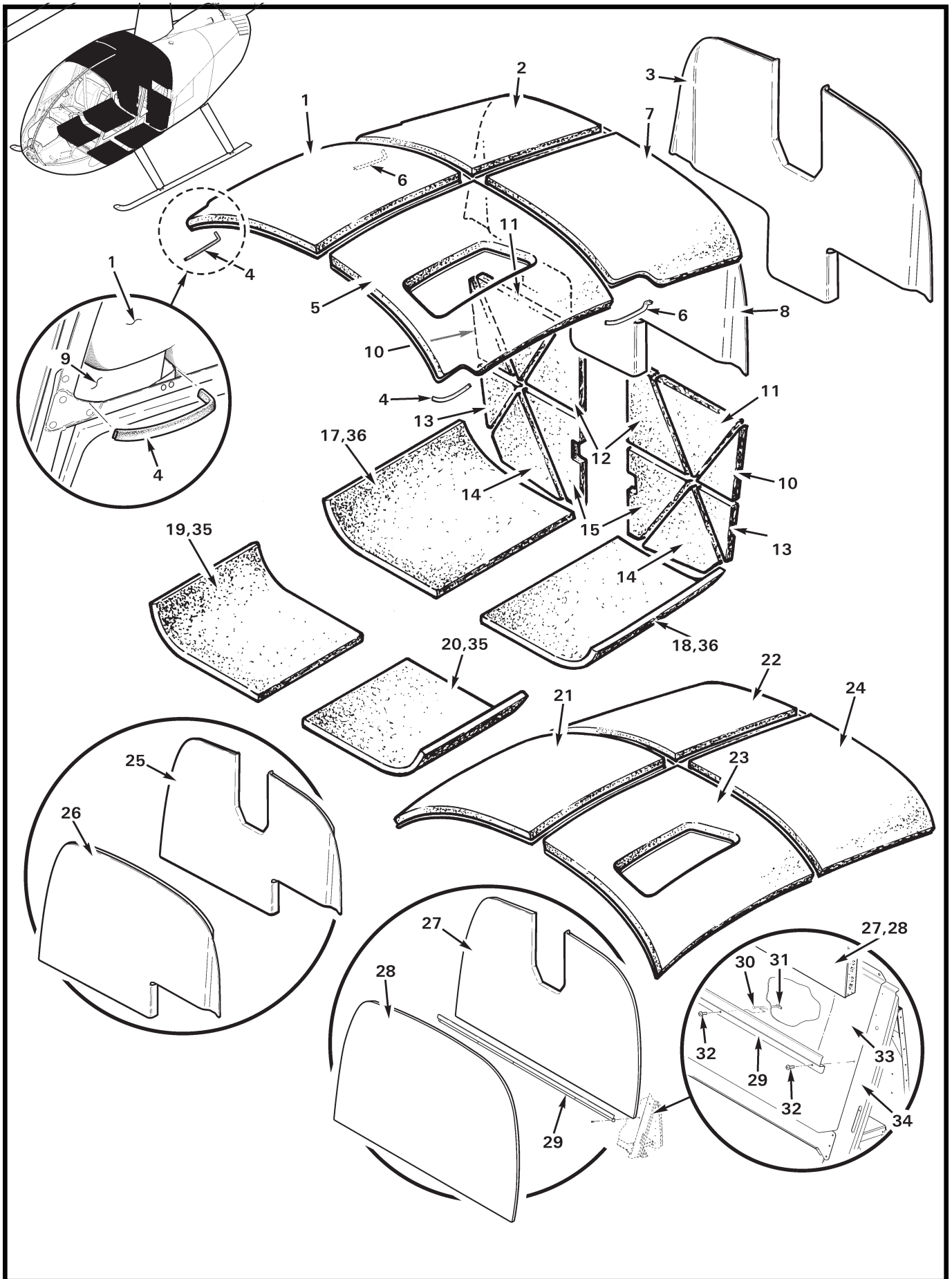


FIGURE AND INDEX NUMBER	PART NUMBER	DESCRIPTION	PARTS AVAIL	QTY PER ASSY
<b>HEADLINER AND INSULATION INSTALLATION</b>				
25-33-1	C003-21*	Insulation** (forward, RH; for ships with hand-holds) . . . . .	X	1
2	C003-19*	Insulation** (aft, RH; for ships with hand-holds) . . . . .	X	1
3	C003-18*	Insulation** (aft cabin; for air conditioned ships) . . . . .	X	1
4	C212-1	Trim (hand-hold; forward, LH and RH) . . . . .	X	2
5	C003-22*	Insulation** (forward, LH; for ships with hand-holds) . . . . .	X	1
6	C212-2	Trim (hand-hold; aft, LH and RH) . . . . .	X	2
7	C003-20*	Insulation** (aft, LH; for ships with hand-holds) . . . . .	X	1
8	C003-2*	Insulation** (aft cabin; for non-air conditioned ships) . . . . .	X	1
9	C212-3	Patch** (installed behind items 4 and 6; [4] R44 and R44 II, [2] R44 Cadet) . . . . .	X	A/R
10	C003-14	Insulation** . . . . .	X	2
11	C003-13	Insulation** . . . . .	X	2
12	C003-12	Insulation** . . . . .	X	2
13	C003-15	Insulation** . . . . .	X	2
14	C003-16	Insulation** . . . . .	X	2
15	C003-17	Insulation** . . . . .	X	2
16	B270-8QT	Adhesive . . . . .	X	A/R
17	F470-4	Liner (aft, RH baggage compartment; replaces C008-7 insulation) . . . . .	X	1
18	F470-3	Liner (aft, LH baggage compartment; replaces C008-7 insulation) . . . . .	X	1
19	F470-2	Liner (forward, RH baggage compartment; replaces C003-8 insulation) . . . . .	X	1
20	F470-1	Liner (forward, LH baggage compartment; replaces C003-8 insulation) . . . . .	X	1
21	C003-5*	Insulation** (forward, RH; for ships <u>without</u> hand-holds) . . . . .	X	1
22	C003-3*	Insulation** (aft, RH; for ships <u>without</u> hand-holds) . . . . .	X	1
23	C003-6*	Insulation** (forward, LH; for ships <u>without</u> hand-holds) . . . . .	X	1
24	C003-4*	Insulation** (aft, LH; for ships <u>without</u> hand-holds) . . . . .	X	1
25	D598-4*	Insulation** (aft cabin; for ENG/Police air conditioned ships)	X	1
26	D598-2*	Insulation** (aft cabin; for ENG/Police non-air conditioned ships) . . . . .	X	1
27	C003-25*	Insulation** (aft cabin; for Cadet air conditioned ships) . . . . .	X	1
28	C003-24*	Insulation** (aft cabin; for Cadet non-air conditioned ships) . . . . .	X	1
29	D670-6	Trim (replaces C474-3 trim) . . . . .	X	1
30	MS20426AD3	Rivet . . . . .	X	4

NOTES \* Refer to *chart* at the end of parts list when ordering. Include code after dash no., for example, C003-21 in tan, order "C003-21TN".

\*\* Install using item 16.

FIGURE AND INDEX NUMBER	PART NUMBER	DESCRIPTION	PARTS AVAIL	QTY PER ASSY
<b>HEADLINER AND INSULATION INSTALLATION (Cont'd)</b>				
25-33-31	MS21069L08K	Nutplate (two places, LH and RH) . . . . .	X	2
32	MS27039C0806	Screw . . . . .	X	6
33	C465-1	Panel (Ref, LH; see Figure 25-1)		
34	C015	Cabin Assembly (Ref)		
35	C003-8	Insulation (earlier R44s; forward baggage compartment) . . . .	O	2
36	C003-7	Insulation (earlier R44s; aft baggage compartment) . . . . .	O	2

Code	Definition
GR	Gray
TN	Tan

NOTES

Intentionally Blank

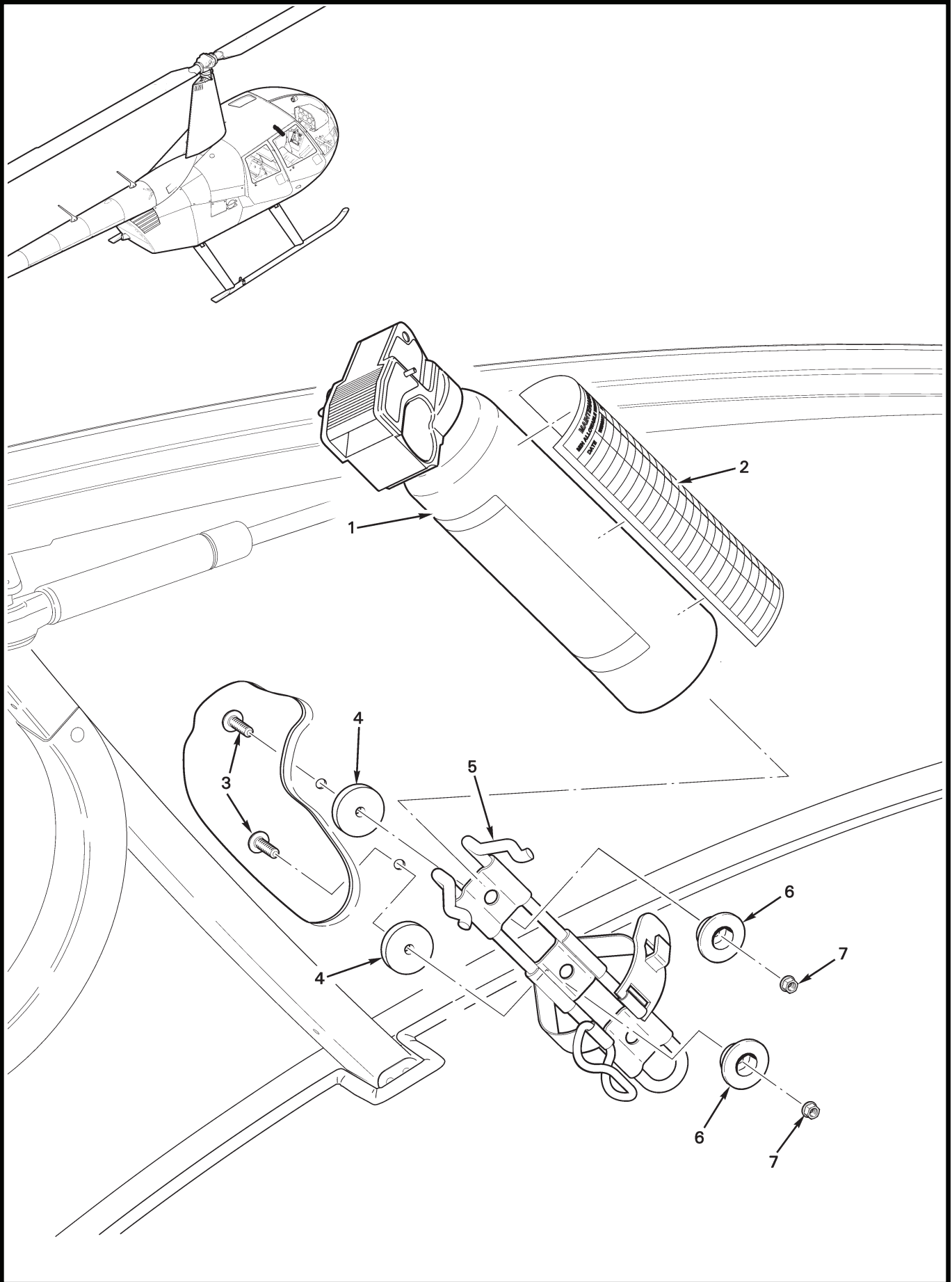


FIGURE AND INDEX NUMBER	PART NUMBER	DESCRIPTION	PARTS AVAIL	QTY PER ASSY	
<b>FIRE EXTINGUISHER INSTALLATION</b>					
25-37-1	B381-1	Fire Extinguisher Assembly (includes RT-A400 Fire Extinguisher and item 2) . . . . .	X	1	
	RT-A400	Fire Extinguisher (14-oz. capacity) . . . . .	O	1	
	2	G654-15	Decal – Maintenance Log . . . . .	X	1
	3	AN526C832R_	Screw (select screw length to provide 0.00–0.06 in. exposed thread) . . . . .	X	2
	4	C130-54	Spacer . . . . .	X	2
	5	B381-3	Bracket . . . . .	X	1
	6	G220-1	Retainer . . . . .	X	2
	7	MS21042L08	Nut . . . . .	X	2
NOTES					

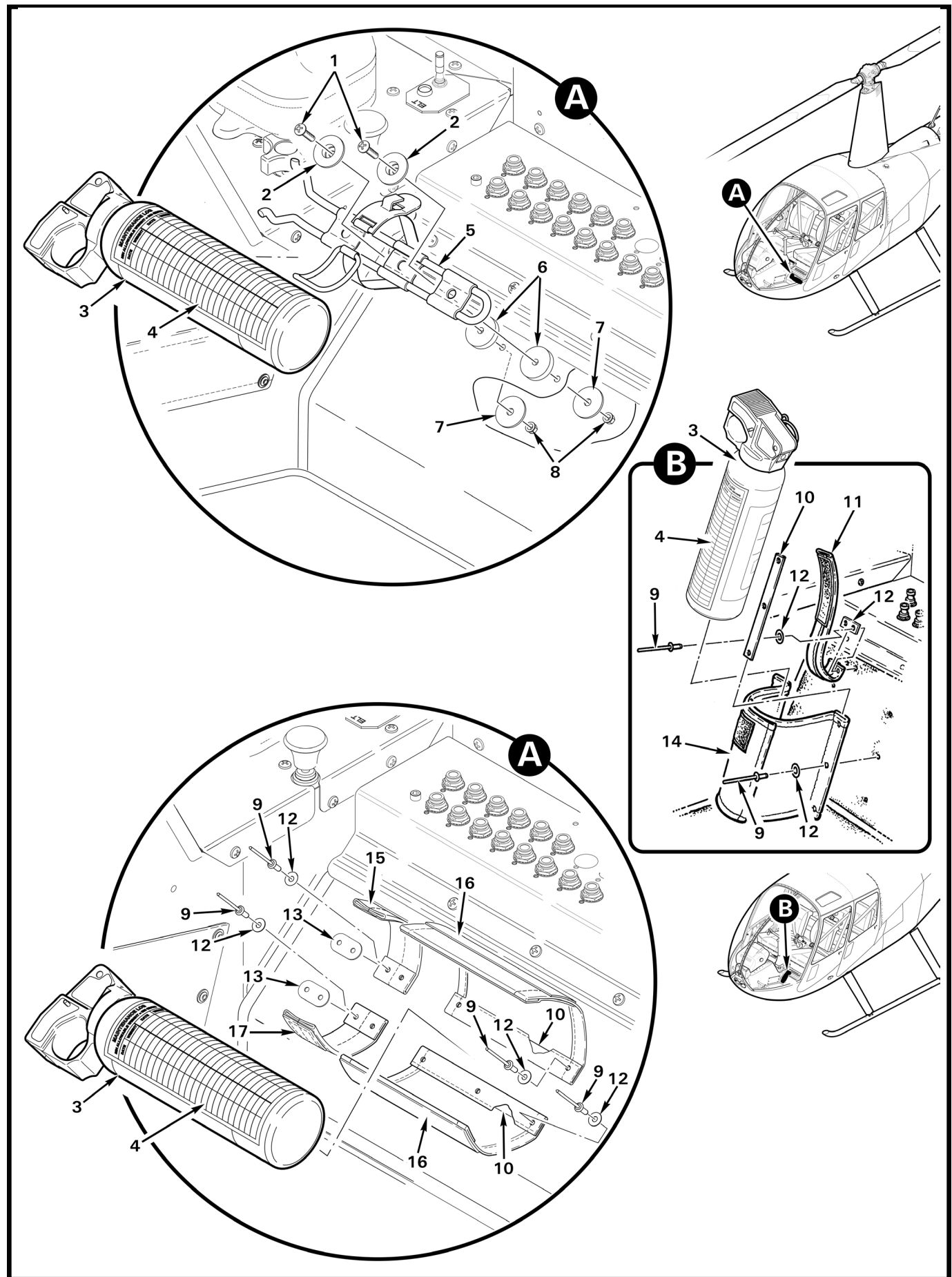




FIGURE AND INDEX NUMBER	PART NUMBER	DESCRIPTION	PARTS AVAIL	QTY PER ASSY
<b>FIRE EXTINGUISHER INSTALLATION</b>				
25-39-1	MS27039C0810	Screw . . . . .	X	2
2	G220-1	Retainer . . . . .	X	2
3	B381-1	Fire Extinguisher (Halon, 14-oz. capacity; includes item 4) . . .	X	1
	RT-A400	Fire Extinguisher (14-oz. capacity) . . . . .	O	1
4	G654-15	Decal – Maintenance Log . . . . .	X	1
5	B381-3	Bracket . . . . .	X	1
6	C130-54	Spacer . . . . .	X	2
7	AN970-3	Washer . . . . .	X	2
8	MS21042L08	Nut . . . . .	X	2
9	B204-3	Rivet** . . . . .	X	10
10	A913-1	Strip** . . . . .	X	2
11	B219-4*	Strap Assembly . . . . .	X	1
12	NAS1149FN616P	Washer** . . . . .	X	10
13	A913-2	Strip** . . . . .	X	2
14	B219-3*	Pocket Assembly** (2-piece hook and loop) . . . . .	X	1
15	B219-6*	Strap Assembly** (loop) . . . . .	X	1
16	B219-5*	Pocket Assembly** (2-piece hook and loop) . . . . .	X	1
17	B219-7*	Strap Assembly** (hook) . . . . .	X	1

Code	Definition
GR	Gray
TN	Tan
BLK	Black

NOTES \* Refer to *chart* at the end of parts list when ordering. Include code after dash no., for example, B219-4 in black, order "B219-4BLK".  
 \*\* Earlier R44s.

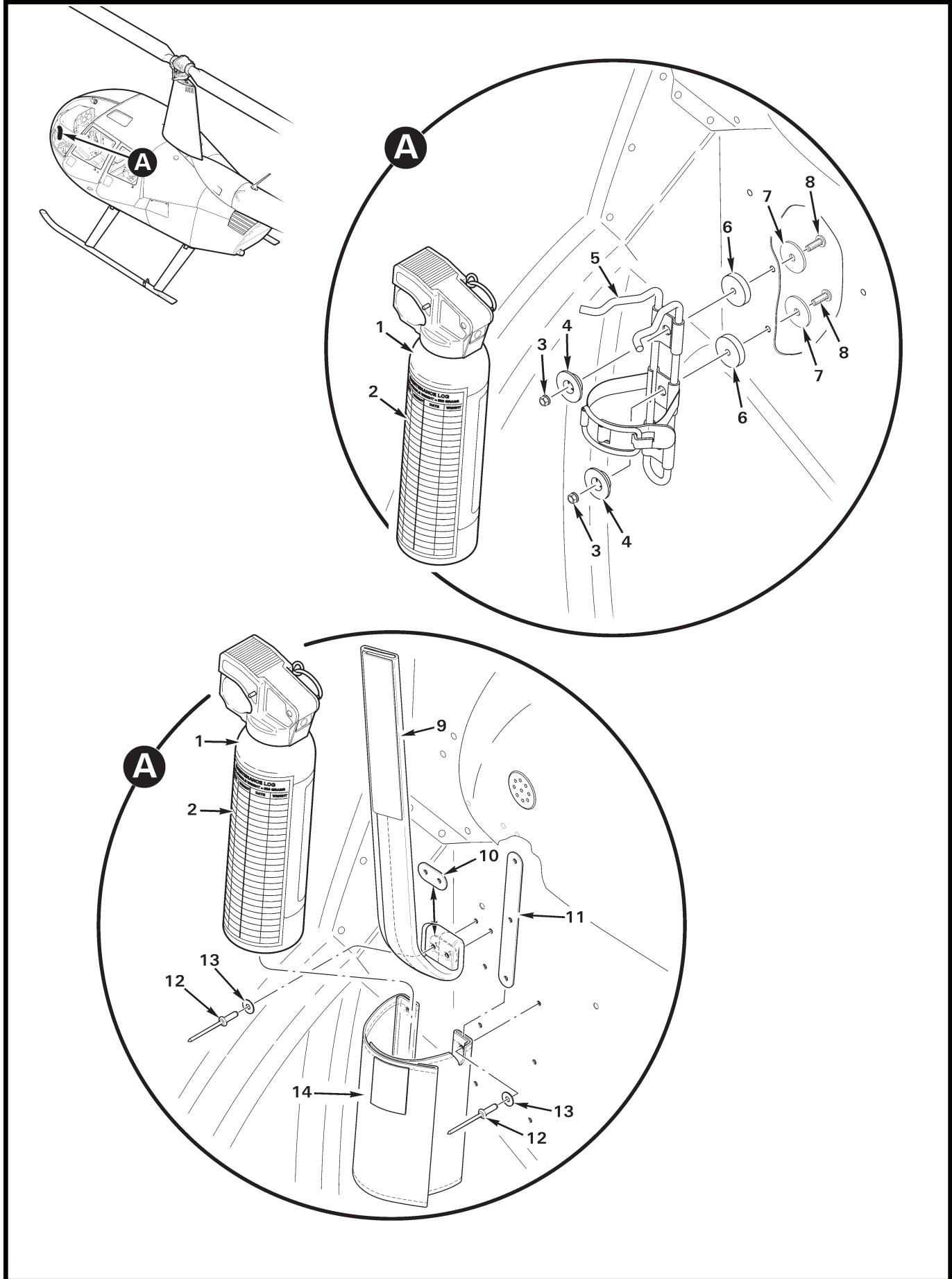


FIGURE AND INDEX NUMBER	PART NUMBER	DESCRIPTION	PARTS AVAIL	QTY PER ASSY
<b>FIRE EXTINGUISHER INSTALLATION</b>				
25-41-1	B381-1	Fire Extinguisher Assembly (includes RT-A400 Fire Extinguisher and item 2) . . . . .	X	1
	RT-A400	Fire Extinguisher (14-oz. capacity) . . . . .	O	1
2	G654-15	Decal – Maintenance Log . . . . .	X	1
3	MS21042L08	Nut . . . . .	X	2
4	G220-1	Retainer . . . . .	X	2
5	B381-3	Bracket . . . . .	X	1
6	C130-54	Spacer . . . . .	X	2
7	AN970-3	Washer . . . . .	X	2
8	MS27039C0810	Screw . . . . .	X	2
9	B219-4*	Strap Assembly** . . . . .	X	1
10	A913-2	Strip** . . . . .	X	1
11	A913-1	Strip** . . . . .	X	2
12	B204-2	Rivet . . . . .	X	8
13	NAS1149FN616P	Washer . . . . .	X	8
14	B219-3*	Pocket Assembly** . . . . .	X	1

Code	Definition
GR	Gray
TN	Tan
BLK	Black

NOTES \* Refer to *chart* at the end of parts list when ordering. Include code after dash no., for example, B219-4 in black, order "B219-4BLK".

\*\* Earlier R44s.

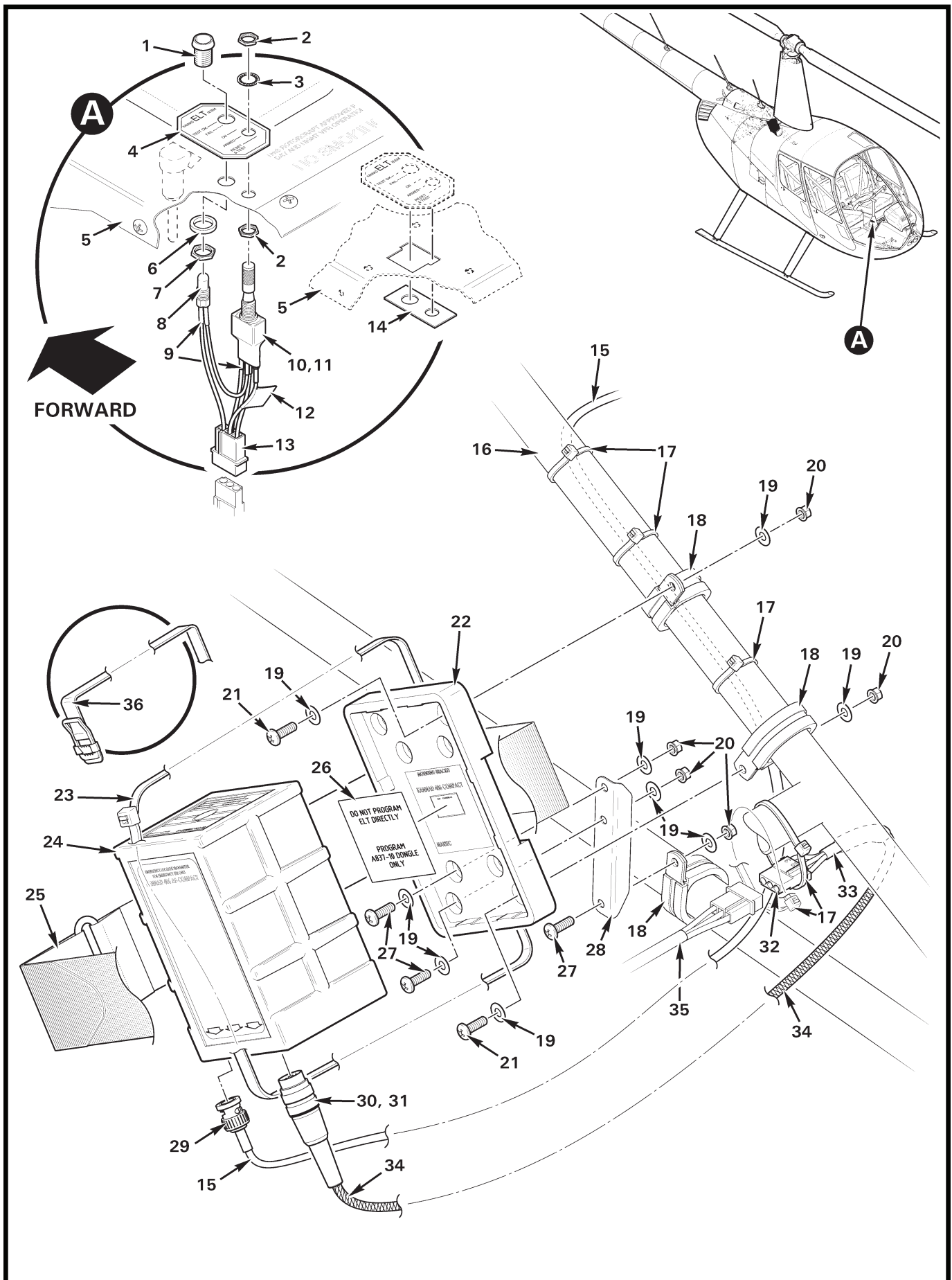


FIGURE AND INDEX NUMBER	PART NUMBER	DESCRIPTION	PARTS AVAIL	QTY PER ASSY
<b>KANNAD ELT INSTALLATION*</b>				
25-41B-1	—	Mount – LED . . . . .	O	1
2	—	Nut . . . . .	O	2
3	—	Lockwasher . . . . .	O	1
4	—	Panel . . . . .	O	1
5	C444	Cover – Cyclic (Ref; current and previous [dashed] configurations)		
6	—	Ring . . . . .	O	1
7	—	Nut . . . . .	O	1
8	—	LED (bi-polar, red) . . . . .	O	1
9	B158-1	Heat Shrink . . . . .	X	A/R
10	—	Switch (remote control, 3-position, locking) . . . . .	O	1
11	F837-3	Switch Assembly (On, Reset; includes items 1 thru 4, 6 thru 10, 12, 13, and wires; assembled) . . . . .	X	1
12	—	Production Stamp . . . . .	O	1
13	B263-14	Housing . . . . .	X	1
	B263-1	Pin . . . . .	X	3
14	A837-3**	Plate – Backing . . . . .	X	1
15	B274-518	Cable – Coaxial . . . . .	X	A/R
16	C020	Frame – Upper (Ref)		
17	MS3367-5-9	Ty-Rap . . . . .	X	A/R
18	MS21919WDG16	Clamp . . . . .	X	3
19	NAS1149F0316P	Washer . . . . .	X	8
20	D210-3	Nut . . . . .	X	5
21	MS27039C1-08	Screw . . . . .	X	2
22	S1840502-01***	Bracket – Mount (ELT) . . . . .	X	1
23	MS3367-6-0	Ty-rap . . . . .	X	1
24	S1851501-02***	ELT (Integra 406 AF-H) . . . . .	X	1
25	—	Strap (included with item 24) . . . . .	O	1
26	F654-25	Decal (dongle programming instructions) . . . . .	X	1
27	MS27039C1-07	Screw . . . . .	X	3
28	C837-5	Angle . . . . .	X	1
29	5225395-6	Plug (BNC) . . . . .	X	1

NOTES \* Optional Equipment. Refer to KI-179-6 and KI-179-8 for field installations.

\*\* Earlier R44s.

\*\*\* Kannad part no.

Continues

FIGURE AND INDEX NUMBER	PART NUMBER	DESCRIPTION	PARTS AVAIL	QTY PER ASSY
KANNAD ELT INSTALLATION (Cont'd)				
25-41B-30	A837-10	Harness Assembly (Incl items 31 thru 34, and wires; assembled) . . . . .	X	1
31	S1820514-01*	Dongle (requires programming) . . . . .	O	1
32	B263-15	Housing . . . . .	X	1
	B263-2	Socket . . . . .	X	3
33	B158-3	Heat Shrink . . . . .	X	A/R
	B158-1**	Heat Shrink (this location) . . . . .	X	A/R
34	B266-4	Sleeving . . . . .	X	A/R
35	C859 or C059	Harness Assembly (Ref)		
36	D693-4**	Strap Assembly . . . . .	O	1
* * *				
37	KI-179-6	R44 Kannad AF Integra Kit (optional) . . . . .	X	A/R
38	KI-179-8	R44 Kannad AF Integra Provision Kit (does not include ELT; optional) . . . . .	X	A/R

NOTES \* Kannad part no.  
 \*\* Earlier R44s.

Intentionally Blank

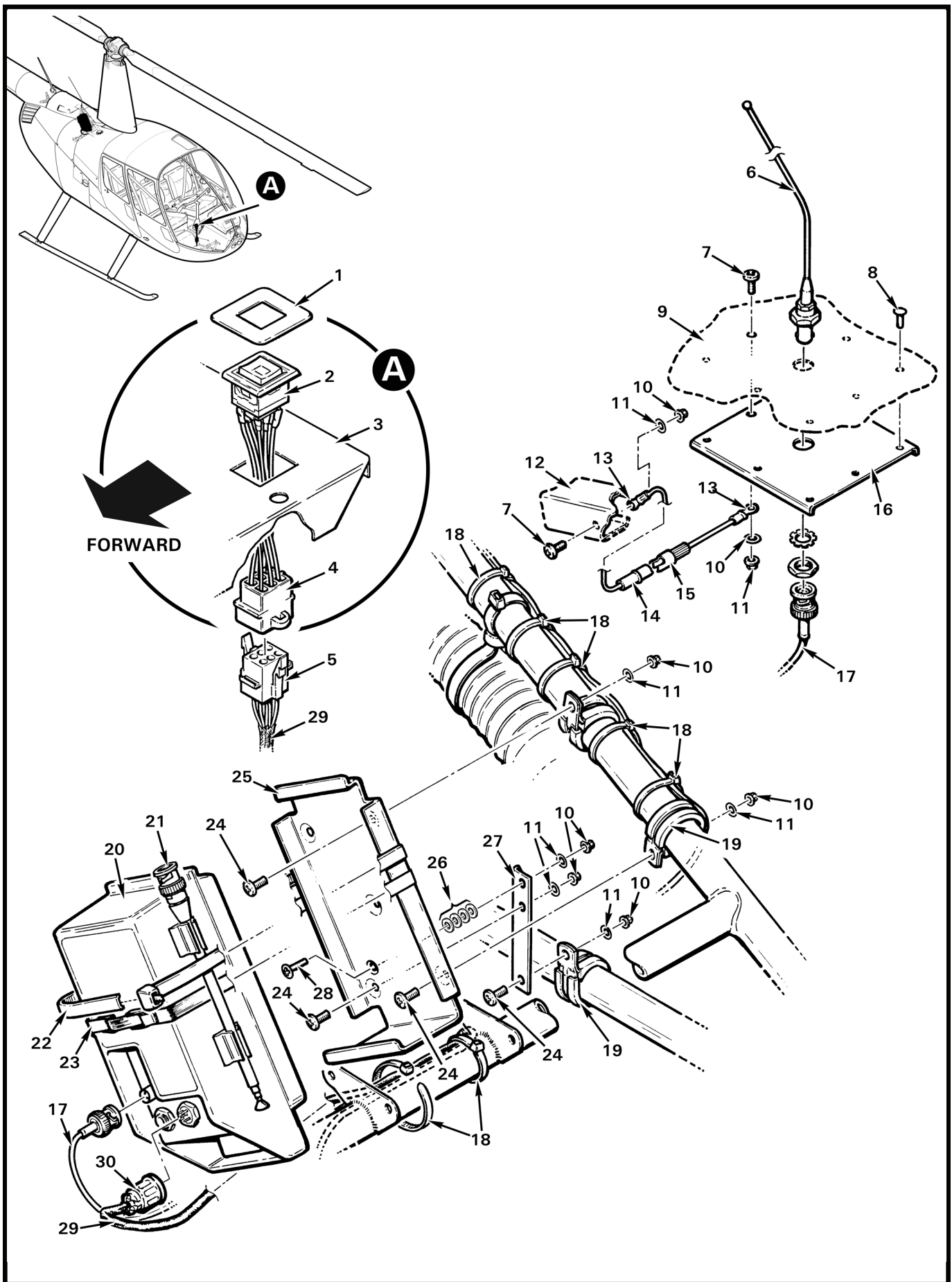




FIGURE AND INDEX NUMBER	PART NUMBER	DESCRIPTION	PARTS AVAIL	QTY PER ASSY
<b>POINTER ELT AND ANTENNA INSTALLATION</b>				
25-45-1	—	Decal – “On, Reset” . . . . .	O	1
2	C830-1A	Switch Sub-Assembly (On, Reset; includes MLW-3029* switch, heat shrink, wires, and item 1) . . . . .	X	1
3	C444	Cover – Cyclic (Ref, see also Figure 67-1)		
4	B263-18	Housing . . . . .	X	1
	B263-1	Pin . . . . .	X	6
5	B263-19	Housing . . . . .	X	1
	B263-2	Socket . . . . .	X	6
6	3001*	Antenna (external mount, includes nut and washer) . . . . .	O	1
7	MS27039C0806	Screw . . . . .	X	2
8	MS20470AD3-4	Rivet . . . . .	X	7
9	C706-1	Cowling (Ref, see Figure 53-13)		
10	MS21042L08	Nut . . . . .	X	7
11	NAS1149FN816P	Washer . . . . .	X	7
12	C245-1	Channel – Aux Tank Assembly (Ref)		
13	B260-3	Terminal . . . . .	X	2
14	B263-11	Housing . . . . .	X	1
	B263-2	Socket . . . . .	X	1
15	B263-10	Housing . . . . .	X	1
	B263-1	Pin . . . . .	X	1
16	A830-3	Doubler . . . . .	X	1
17	3002*	Cable – Antenna (coax) . . . . .	O	1
18	MS3367-5-9	Ty-Rap . . . . .	X	A/R
19	MS21919WDG16	Clamp . . . . .	X	3
20	3000-10*	ELT Unit (U.S. and other areas except Canada) . . . . .	O	1
	4000-10*	ELT Unit . . . . .	O	1
21	2006*	Antenna (secondary; telescopic) . . . . .	O	1
22	B359-1	Ty-Rap . . . . .	O	1
23	—	Strap . . . . .	O	1
24	MS27039C0807	Screw . . . . .	X	4
25	—	Mounting Bracket . . . . .	O	1

NOTES \* Pointer part no.

Continues

FIGURE AND INDEX NUMBER	PART NUMBER	DESCRIPTION	PARTS AVAIL	QTY PER ASSY
<b>POINTER ELT AND ANTENNA INSTALLATION (Cont'd)</b>				
25-45-26	NAS1149FN832P	Washer . . . . .	X	4
27	C830-3	Angle . . . . .	X	1
28	MS24694-S5	Screw . . . . .	X	1
29	KI-89C	Wire Harness (Incl items 30 thru 32, wires, and wire shield/jacket) . . . . .	O	1
30	126-223*	Connector . . . . .	O	1
31	B267-3**	Terminator . . . . .	X	1
32	B158-1**	Heat Shrink (3/32 in. dia.) . . . . .	X	A/R
	B158-3**	Heat Shrink (3/16 in. dia.) . . . . .	X	A/R

NOTES \* Pointer part no.  
 \*\* Not shown.

Intentionally Blank

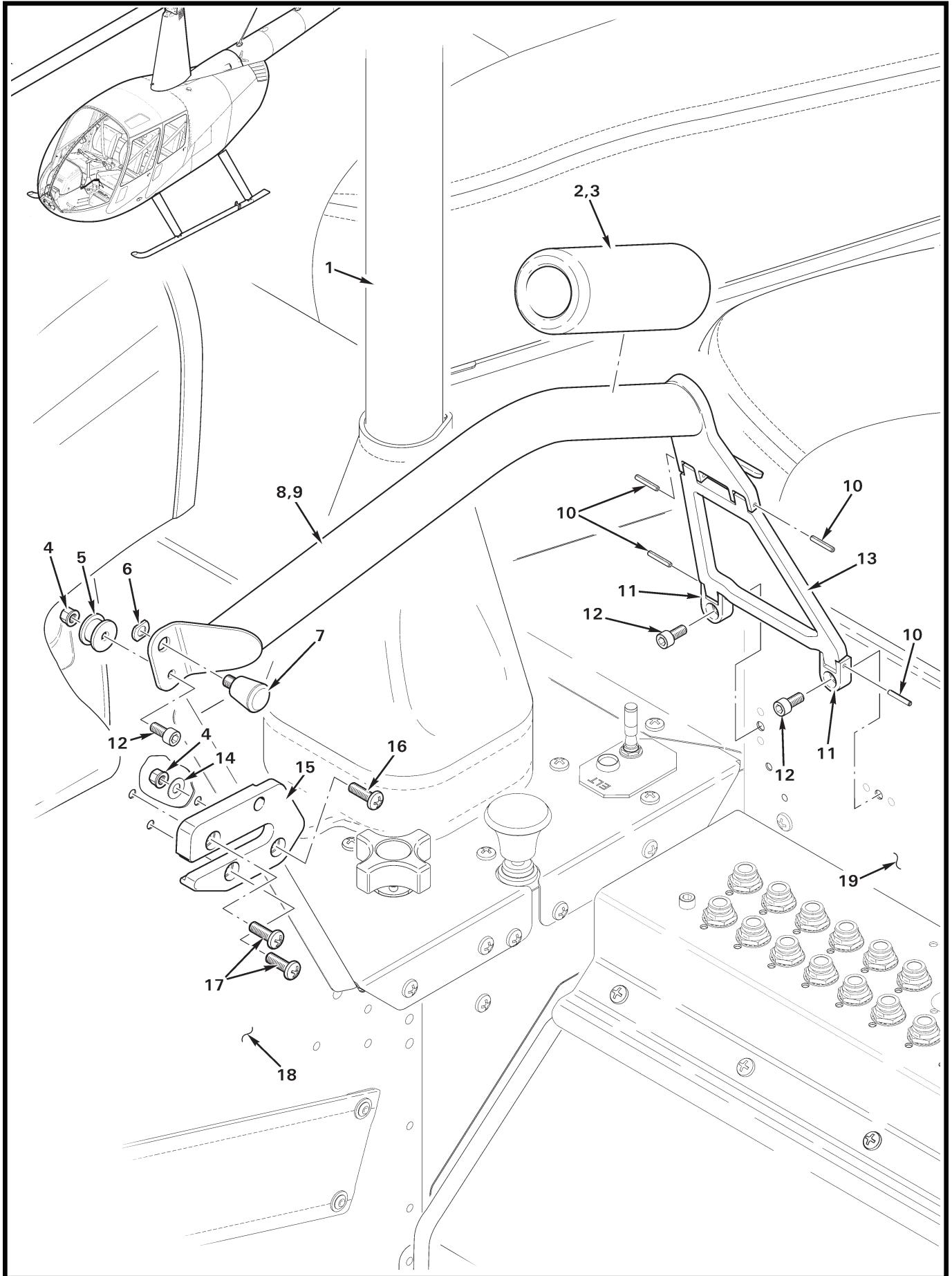


FIGURE AND INDEX NUMBER	PART NUMBER	DESCRIPTION	PARTS AVAIL	QTY PER ASSY
<b>GUARD ASSEMBLY INSTALLATION</b>				
25-49-1	C069	Cyclic Control Assembly (Ref)		
2	A601-2	Grip (install using item 3) . . . . .	X	1
3	B270-15	Adhesive . . . . .	X	A/R
4	MS21042L08	Nut . . . . .	X	2
5	G722-7	Latch . . . . .	X	1
6	—	Washer (threaded) . . . . .	O	1
7	56-99-196-20	Plunger (Incl item 6) . . . . .	X	1
8	G721-1	Handle Assembly (Incl items 2 thru 5, 7, and 9 thru 13). . . . .	X	1
9	G721-2	Weldment . . . . .	X	1
10	MS16562-15	Spring Pin . . . . .	X	4
11	G722-5	Mount . . . . .	X	2
12	NAS1352-08-6	Screw . . . . .	X	3
13	G722-4	Support – Lower . . . . .	X	1
14	NAS1149FN816P	Washer . . . . .	X	1
15	G722-6	Plate . . . . .	X	1
16	MS27039C0807	Screw . . . . .	X	1
17	MS27039C0808	Screw . . . . .	X	2
18	C033	Console Assembly – Lower (Ref)		
19	C297-5	Support Assembly (LH, forward; Ref)		

NOTES \* Optional equipment. Refer to KI-280 for field installation.

Intentionally Blank