

CHAPTER 22

AUTOPILOT

<i>Figure</i>	<i>Title</i>	<i>Page</i>
22-1	(Pitch) Servo Assembly Installation and Components	22.0
22-5	(Roll) Servo Assembly Installation	22.4
22-7	Flight Control Computer Installation	22.6

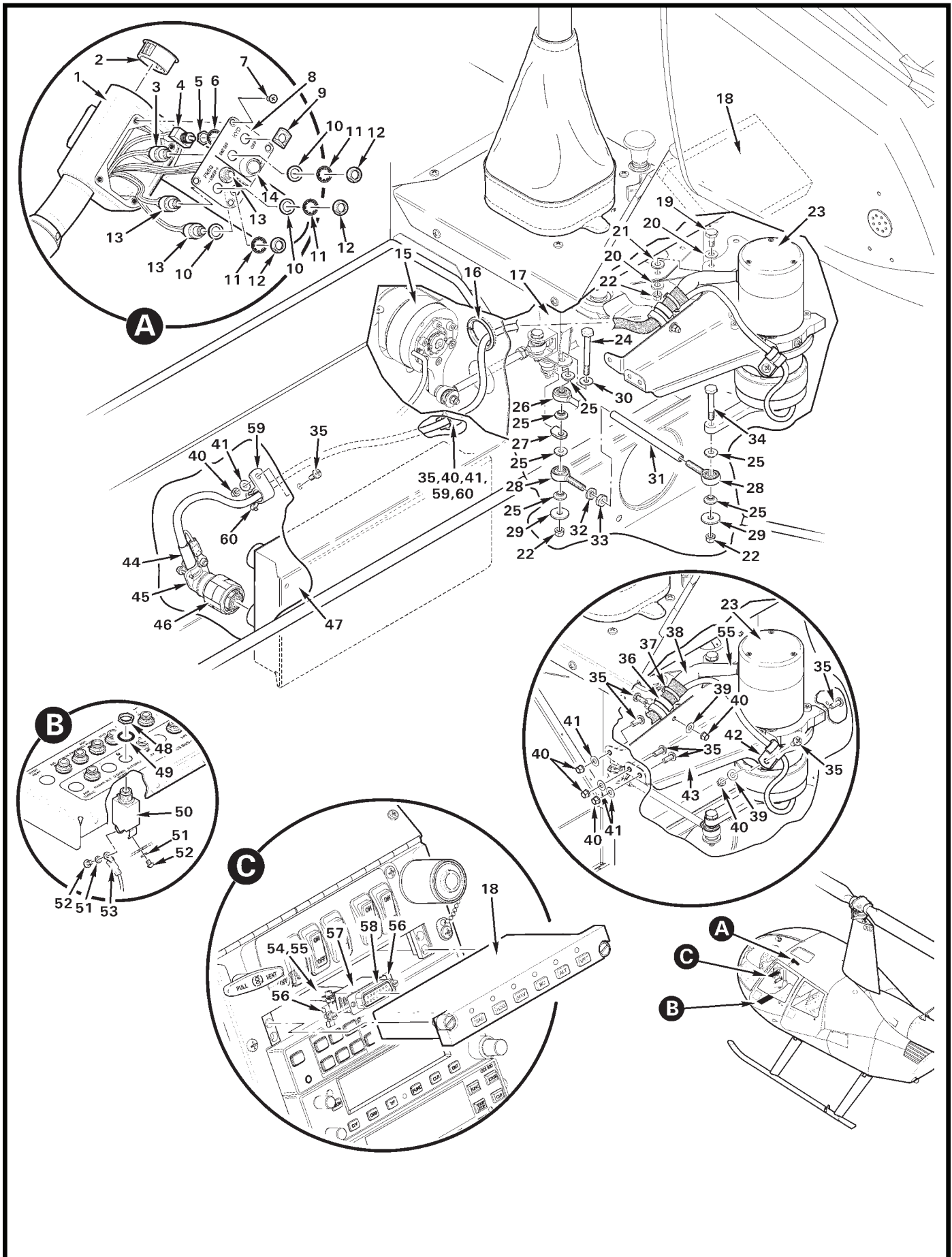


FIGURE AND INDEX NUMBER	PART NUMBER	DESCRIPTION	PARTS AVAIL	QTY PER ASSY
		(PITCH) SERVO ASSEMBLY INSTALLATION AND COMPONENTS		
22-1-1	C058-15*	Grip Assembly (Incl items 2 thru 14, and 17)	X	1
	C058-14**	Grip Assembly (Incl items 2 thru 14, and 17)	X	1
2	2703	Hole Plug (install using B270-15 adhesive)	X	1
3	B227-7	Switch Assembly – “AP OFF” (Incl items 10 thru 12)	X	1
4	B300-3	Switch Assembly – “HYD OFF” (Incl items 5 and 6)	X	1
5	—	Nut	X	1
6	—	Lockwasher	X	1
7	MS24693-S1	Screw	X	4
8	C214-27	Plate	X	1
9	D443-7	Guard	X	1
10	94773A770***	Washer	X	1
11	B227-3	Lockwasher	X	1
12	B227-4	Dress Nut	X	1
13	B227-2	Switch Assembly (Incl items 10 thru 12)	X	3
14	B227-8	Switch – Trim (Includes 801801000 cap, 702501201 dress nut, and items 10 and 11.)	X	1
	801801000***	Cap	X	1
	702501201***	Dress Nut	X	1
15	D354-1	Servo Assembly (Roll, Ref; see Figure 22-5)		
16	NAS557-16A	Grommet	X	1
17	D320-1	Cyclic Stick Assembly (Ref)		
18	O1309-01-01	Control Panel	X	1
19	NAS6603-3	Bolt	X	2
20	NAS1149F0332P	Washer	X	4
21	NAS1149F0363P	Washer	X	2
22	D210-3	Nut	X	2
23	D354-2	Servo Assembly (Pitch; includes items 35 thru 40, 42 thru 46, and 55.)	X	1
24	NAS6603-22	Bolt	X	1
25	A341-1	Spacer	X	4
26	B564-1	Link (Ref, see Figure 67-17)		
27	D353-2	Link	X	1
28	A127-3	Rod End	X	2
29	A141-17	Washer	X	2
30	NAS620-10L	Washer	X	1

NOTES * Ship S/N 10001 and subsequent.

** Ship S/N 0001 thru 9999.

*** C&K Components part no.

Continues

FIGURE AND INDEX NUMBER	PART NUMBER	DESCRIPTION	PARTS AVAIL	QTY PER ASSY
(PITCH) SERVO ASSEMBLY INSTALLATION AND COMPONENTS (Cont'd)				
22-1-31	A336-7	Tube	X	1
32	B330-7	Palnut	X	2
33	AN315-3R	Nut	X	2
34	NAS6603-14	Bolt	X	1
35	MS27039C0806	Screw	X	3
36	MS21919WDG6	Clamp	X	1
37	MS3367-4-9	Ty-Rap	X	A/R
	MS3367-5-9	Ty-Rap	X	A/R
38	B266-8	Sleeving	X	A/R
39	NAS1149FN816P	Washer	X	2
40	MS21042L08	Nut	X	3
41	NAS1149FN832P	Washer	X	3
42	MS21919WDG3	Clamp	X	1
43	D353-3	Brace	X	1
44	B158-8	Heat Shrink	X	A/R
45	M85049/39-13W	Strain Relief	X	1
46	D38999/26FC35SA	Plug	X	1
	B267-3	Terminator (not shown)	X	1
	B267-4	Terminator (not shown)	X	1
47	01311-03-01	Computer (Ref)		
48	—	Nut	O	1
49	—	Lockwasher	O	1
50	B297-5	Circuit Breaker (5 amp; includes items 48, 49, 51, and 52)	X	1
51	—	Washer	O	1
52	—	Screw	O	1
53	-2103	Wire (Ref)		
54	D323-2	Harness Assembly (Incl items 55 thru 58)	X	1
55	B158-6	Heat Shrink	X	A/R
56	B269-31	Screw Lock (male)	X	2
57	B269-22	Backshell	X	1
58	B269-8	Receptacle	X	1
59	M23190/1-2	Clamp	X	1
60	MS3367-5-9	Ty-Rap	X	A/R

NOTES

Intentionally Blank

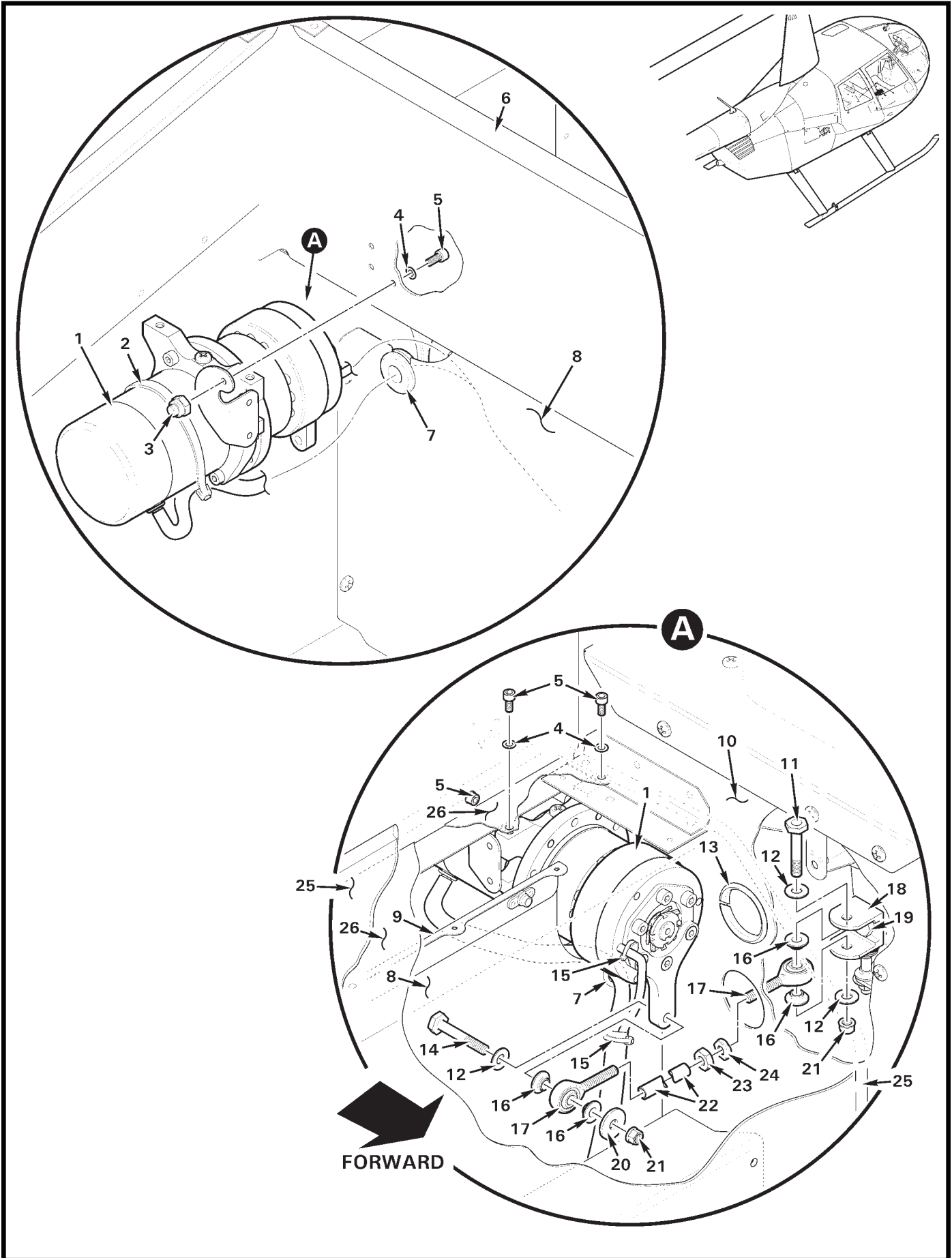


FIGURE AND INDEX NUMBER	PART NUMBER	DESCRIPTION	PARTS AVAIL	QTY PER ASSY
(ROLL) SERVO ASSEMBLY INSTALLATION				
22-5-1	D354-1	Servo Assembly – Roll (Incl items 2 and 15)	X	1
2	MS3367-7-9	Ty-Rap	X	1
3	B340-4	Nut	X	3
4	NAS620-8L	Washer	X	3
5	NAS1352-08-6P	Screw	X	3
6	C290-1	Seat Support Assembly – RH FWD (Ref)		
7	MS35489-11	Grommet	X	1
8	C748-6	Cover Assembly (Ref)		
9	D357-1	Angle Assembly (Ref)		
10	C293-4	Forward Keel Panel – RH (Ref)		
11	NAS6603-12	Bolt	X	1
12	NAS1149F0332P	Washer	X	3
13	NAS557-16A	Grommet (Ref)		
14	NAS6603-14	Bolt	X	1
15	MS3367-4-9	Ty-Rap	X	A/R
16	A341-1	Spacer	X	4
17	A127-3	Rod End	X	2
18	D352-6	Clevis	X	1
19	NAS6604-10	Bolt (Ref; existing hardware, see Figure 67-29)		
20	A141-17	Washer	X	1
21	D210-3	Nut	X	2
22	A336-8	Tube	X	1
23	AN315-3R	Nut	X	1
24	B330-7	Palnut	X	1
25	C469-4	Carpet (Ref)		
26	C391-6	Cover (Ref)		
NOTES				

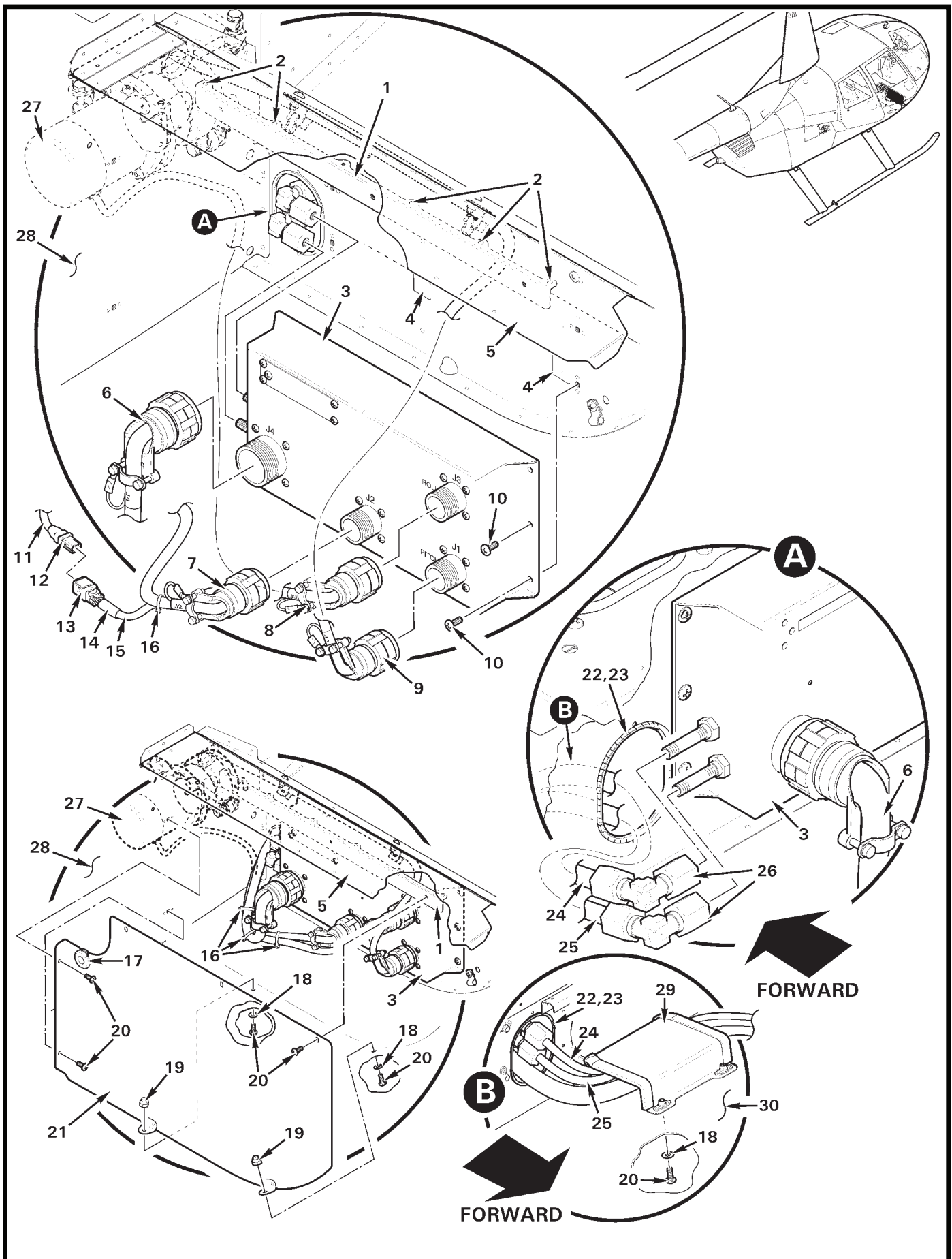


FIGURE AND INDEX NUMBER	PART NUMBER	DESCRIPTION	PARTS AVAIL	QTY PER ASSY
FLIGHT CONTROL COMPUTER INSTALLATION				
22-7-1	D357-1	Angle Assembly	X	1
2	MS20470AD3	Rivet	X	6
3	01311-03-01	Computer	X	1
4	A701-3	Tape	X	A/R
5	C391-6	Cover (Ref)		
6	D323-12	Harness Assembly – G500H	X	1
	D323-13	Harness Assembly – Aspen	X	1
7	D323-2	Harness Assembly – Autopilot (Std; Incl items 13 thru 15)	X	1
	D323-14	Harness Assembly – Autopilot (Long; Incl items 13 thru 15) . . .	X	1
8	D354-1	Servo Wire Harness Assembly (Roll)	X	1
9	D354-2	Servo Wire Harness Assembly (Pitch)	X	1
10	MS27039C0806	Screw	X	4
11	D323-10	Harness Assembly – EFIS G500H (Incl items 12, 14, 15, B268-3 Lacing Tape, and wires)	X	1
	D323-11	Harness Assembly – EFIS Aspen (Incl items 12, 14, 15, B268-3 Lacing Tape, and wires)	X	1
12	D269-12	Receptacle (9-pin)	X	1
13	D269-11	Plug (9-socket)	X	1
14	B158-6	Heat Shrink	X	A/R
15	B266-4	Sleeving	X	A/R
16	MS3367-5-0	Ty-Rap	X	A/R
17	MS35489-11	Grommet	X	1
18	B527-08	Washer	X	6
19	B340-4	Nut	X	2
20	B526-6	Screw	X	8
21	C748-6	Cover Assembly (Incl A748-3 Angle [2] and MS20470AD3 Rivet [4])	X	1
22	MS21266-1N	Grommet (install using item 23)	X	A/R
23	B270-8qt	Adhesive	X	A/R
24	A729-23	Static Tube (Ref)		
25	A729-23	Pitot Tube (Ref)		
26	50-4-N-0	Elbow	X	2
27	D354-1	Servo Assembly – Roll (Ref)		
28	C293-4	Keel Panel – RH (Ref)		
29	D555-4	Shield Assembly	X	8
30	C272-1	Chin (Ref)		

NOTES

Intentionally Blank