

**R44 Hardpoint/Tiedown Support Installation Kit Instructions**

*Eligible for installation on R44 Raven I S/N 0018 & subsequent, and all Raven II & Cadet models.*

**NOTE**

Visit [www.robinsonheli.com](http://www.robinsonheli.com) to verify kit instructions are current revision. Review instructions before installation; contact RHC Technical Support with questions. Verify kit contents match list; contact RHC Customer Service if parts are missing or damaged.

ITEM	PART NUMBER	KIT CONTENTS	QTY
1	KI-86Instr.	Kit Instructions .....	1
2	AN316-6R	Nut .....	2
3	B330-19	Palnut .....	1
4	D210-6	Nut .....	1
5	A214-1	Washer .....	2
6	B330-16	Palnut .....	1
7	D210-5	Nut .....	1
8	D173-2	Rod End .....	2
9	NAS6605-26	Bolt .....	1
10	D136-1	Support .....	1
11	B139-1	Journal .....	1
12	NAS6606-17	Bolt .....	1
13	C654-9	Decal .....	1

**Kit Instructions**

1. Remove the two hole plugs located on the cabin belly 4.09 inches to the left of centerline at fuselage stations 93.3 and 94.6 as measured from the longitudinal reference datum (see R44 Pilot's Operating Handbook [POH] Section 1).
2. Refer to Figure 1. Install (1) AN316-6R nut on each D173-2 rod end shank. Install each rod end as far as practical, in holes noted in step 1. Verify both rod ends extend equally below the aircraft belly no more than 0.75 inch.
3. Refer to Figure 2. Install D136-1 support using NAS6605-26 bolt, D210-5 nut, and B330-16 palnut as shown. Standard torque per R44 Maintenance Manual (MM) § 23-32 and special torque AN316-6R nuts per MM § 23-33.
4. Refer to Figure 2. Lubricate B139-1 journal with A257-1 grease. Install B139-1 journal, NAS6606-17 bolt, (2) A214-1 washers, D210-6 nut, and B330-19 palnut in D136-1 support's lower 0.5 inch diameter hole as shown. Standard torque per MM § 23-32.
5. Install C654-9 decal per Figure 2.

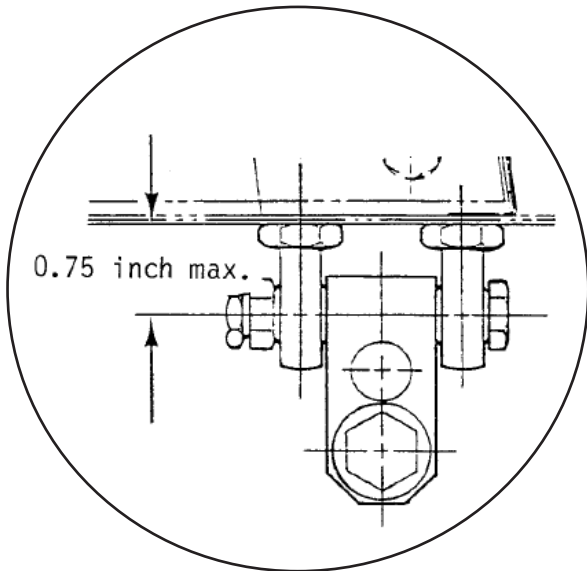
**Kit Instructions (continued)**

- 6. Revise helicopter's Weight and Balance Record in POH Section 6 to reflect this installation by incorporating the following data:

**Add:**

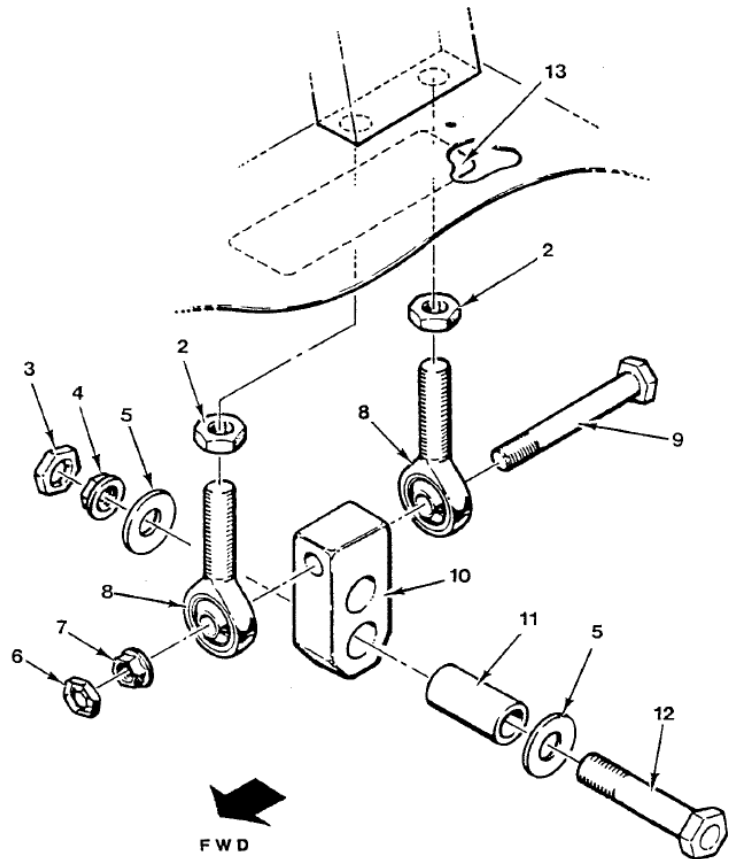
Item	Weight	Long. Arm	Long. Moment	Lat. Arm	Lat. Moment
KI-86 R44 Hardpoint/ Tiedown Support Inst'l	+0.54 lb	93.93 in.	+50.72 in-lb	-4.09 in.	-2.21 in-lb

- 7. Make appropriate maintenance record entries.



**FIGURE 1**

(View looking inboard from helicopter left-side)



**FIGURE 2**

(See kit part list for item description)