

Issued: 6 January 1998

KI-125 R44 FORWARD DOOR RESTRAINT INSTALLATION KIT

KIT CONTENTS:

2 ea	D805-2	Restraint
6 ea	AN526C832R9	Screw
4 ea	NAS1149FN832P	Washer
4 ea	NAS1149FN632P	Washer
2 ea	MS21042L08	Nut
2 ea	NAS1919B04S02	Rivet
1 ea	KI-125Instr	Kit Instructions

INSTRUCTIONS:

NOTE

Unless otherwise specified, torque all fasteners per R44 Maintenance Manual (MM) section 1.300.

NOTE

Left forward and right forward doors have identical installation

1. Verify contents of kit conforms to parts list. Contact RHC if any parts are missing or damaged.
2. Install D805-2 restraint per Figure 1.
3. Refer to R44 MM Section 1.480 for sealant information.
4. Touch up paint as required.
5. Make appropriate maintenance record entries.

Issued: 6 January 1998

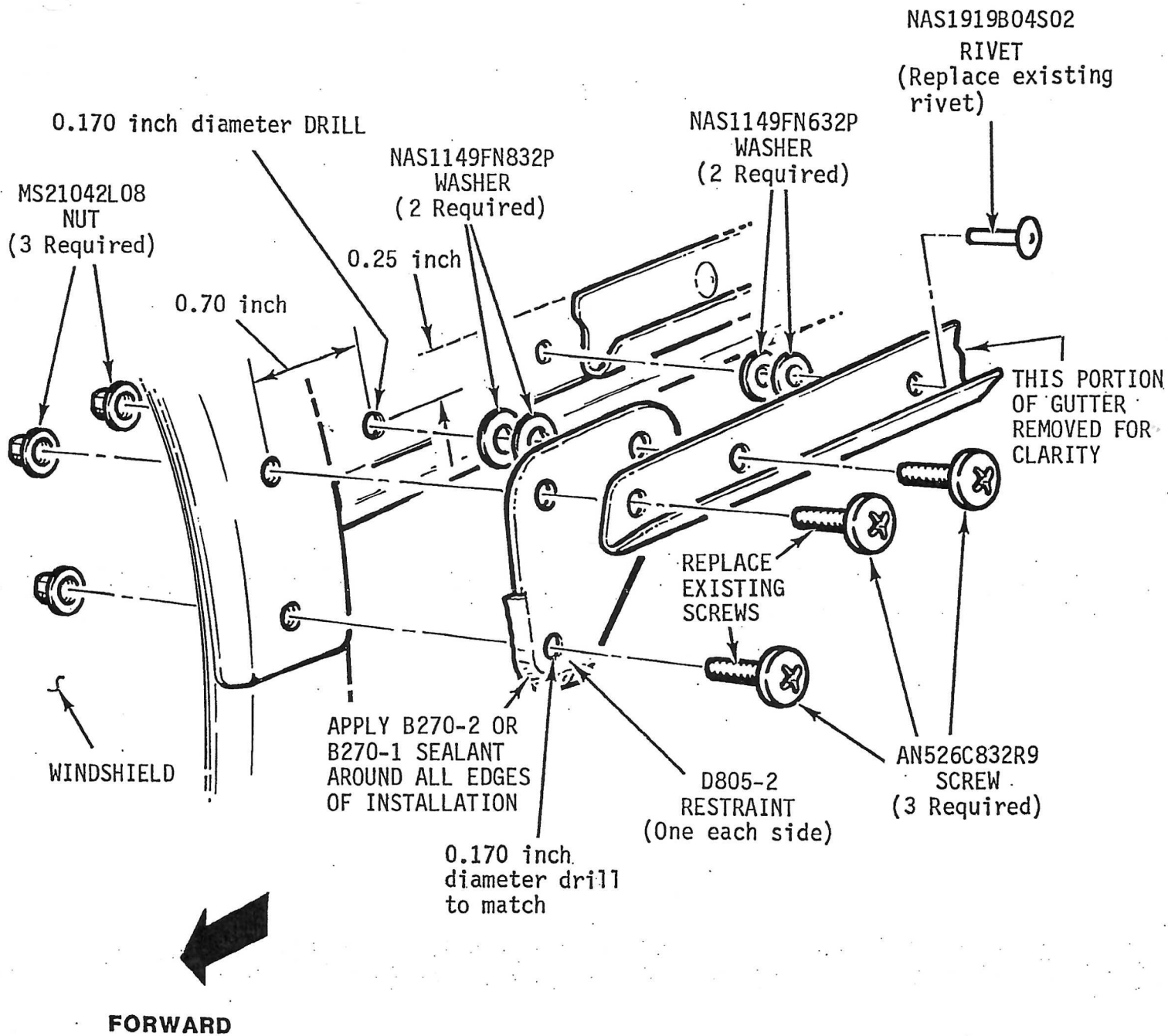


FIGURE 1

(TYPICAL BOTH SIDES)