

CHAPTER 9  
GROUND HANDLING

<i>Figure</i>	<i>Title</i>	<i>Page</i>
9-1	Ground Handling Wheel Assembly . . . . .	9.0
9-5	Ground Handling Wheel Assembly - Pop-Out Floats . . . . .	9.4
9-9	Ground Handling Wheel Assembly - Fixed Floats . . . . .	9.8
9-11	Ground Handling Ball Installation . . . . .	9.10

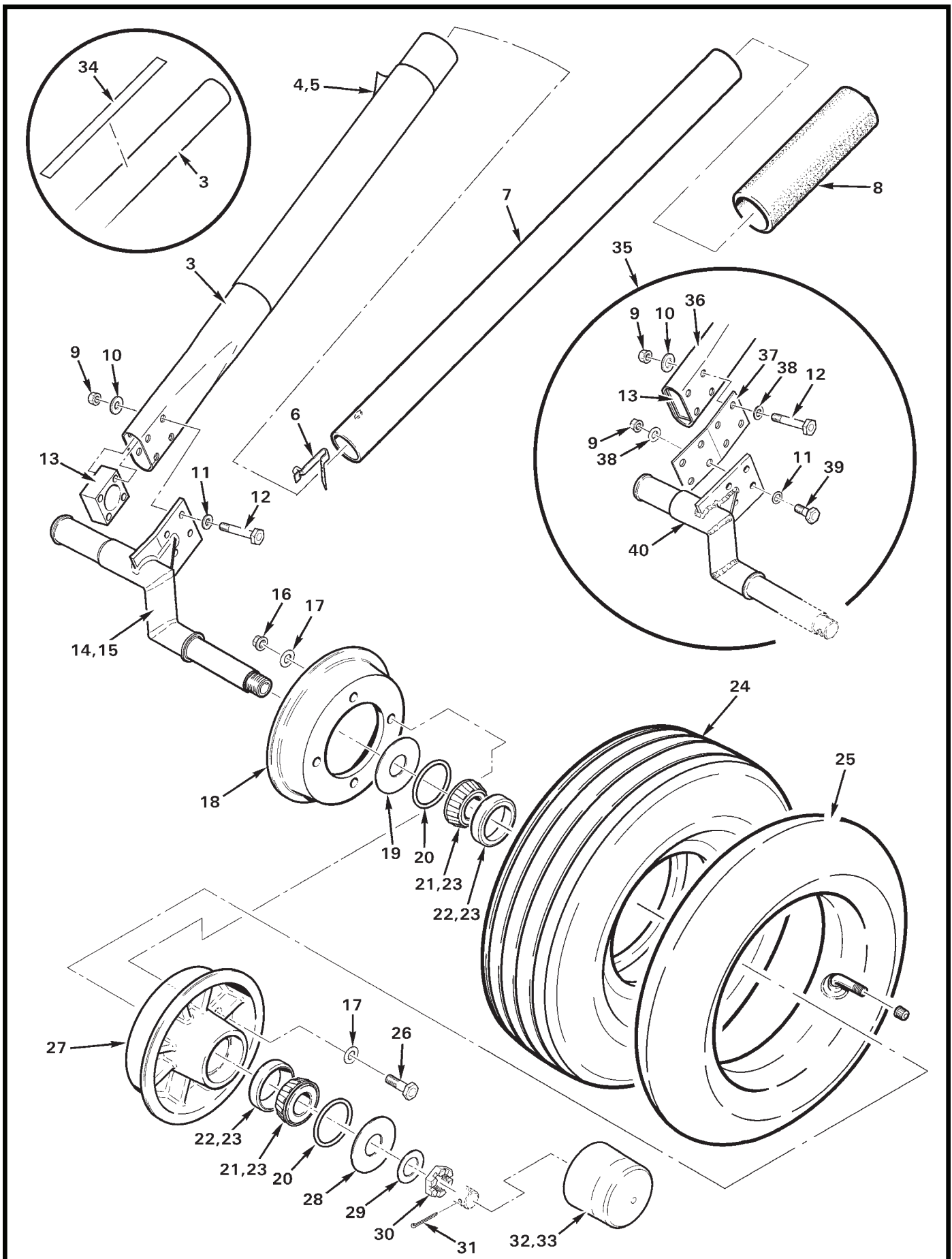


FIGURE AND INDEX NUMBER	PART NUMBER	DESCRIPTION	PARTS AVAIL	QTY PER ASSY
<b>GROUND HANDLING WHEEL ASSEMBLY</b>				
9-1-1	C063-6	Ground Handling Wheel Assembly – RH (Incl items 3, 4, 8, 9 thru 14, and 16 thru 33) . . . . .	X	1
2	C063-5	Ground Handling Wheel Assembly – LH (Incl items 3, 4, 6, 8, 9 thru 13, and 15 thru 33; not shown) . . . . .	X	1
3	C718-4	Lever . . . . .	X	1
4	MT935-16	Decal – “RIGHT, INSTALL FROM INBOARD SIDE / WARNING: GRIP...” (install on C063-6 [RH] ground handling wheel assembly only) . . . . .	X	1
5	MT935-15	Decal – “LEFT, INSTALL FROM INBOARD SIDE / WARNING: GRIP...” (install on C063-5 [LH] ground handling wheel assembly only) . . . . .	X	1
6	A795-4	Pin . . . . .	X	1
7	C718-1	Tube Assembly (Incl items 6 and 8) . . . . .	X	1
8	A601-5	Grip . . . . .	X	1
9	D210-3	Nut . . . . .	X	4
10	NAS1149F0363P	Washer . . . . .	X	4
11	NAS620-10L	Washer . . . . .	X	4
12	NAS6603-12	Bolt . . . . .	X	4
13	C915-1	Spacer . . . . .	X	1
14	C717-14	Shaft Assembly (RH) . . . . .	X	1
15	C717-13	Shaft Assembly (LH, not shown) . . . . .	X	1
16	MS21042L4	Nut . . . . .	X	4
17	NAS1149F0432P	Washer . . . . .	X	8
18	MT947-2	Rim . . . . .	X	1
19	MT141-3	Washer . . . . .	X	1
20	A215-123	O-Ring . . . . .	X	2
21	C646-9*	Cone (contact RHC Customer Service for replacement) . . . . .	X	2
22	C646-10*	Cup (contact RHC Customer Service for replacement) . . . . .	O	2
23	A257-5	Grease . . . . .	X	A/R
24	MT936-5	Tire . . . . .	X	1
25	MT936-6	Tube – Inner . . . . .	X	1
26	NAS6604-6	Bolt . . . . .	X	4
27	MT947-1	Rim . . . . .	X	1
28	A214-12	Washer . . . . .	X	1
29	NAS1149F0832P	Washer (for shimming) . . . . .	X	A/R
30	AN320-8	Nut . . . . .	X	1

NOTES \* Install using item 24.

Continues

FIGURE AND INDEX NUMBER	PART NUMBER	DESCRIPTION	PARTS AVAIL	QTY PER ASSY
<b>GROUND HANDLING WHEEL ASSEMBLY (Cont'd)</b>				
9-1-31	MS24665-285	Cotter Pin . . . . .	X	1
32	A959-11	Cap (install using item 33) . . . . .	X	1
33	B270-15	Adhesive . . . . .	X	A/R
34	A654-81	Decal (wheel installation instructions, C063 assembly, revision "L" and prior; used with item 40) . . . . .	X	1
* * *				
35	KI-210*	Ground Handling Wheel Modification Kit (Incl items 9 thru 12, 31, and 37 thru 39) . . . . .	X	1
36	C718-2	Lever Assembly (Ref)		
37	C717-7*	Plate . . . . .	X	1
38	NAS1149F0332P*	Washer . . . . .	X	8
39	NAS6603-4*	Bolt . . . . .	X	4
40	C717-11	Shaft Assembly (Ref, LH and RH)		

NOTES \* Refer to R44 Service Letter SL-41.

Intentionally Blank

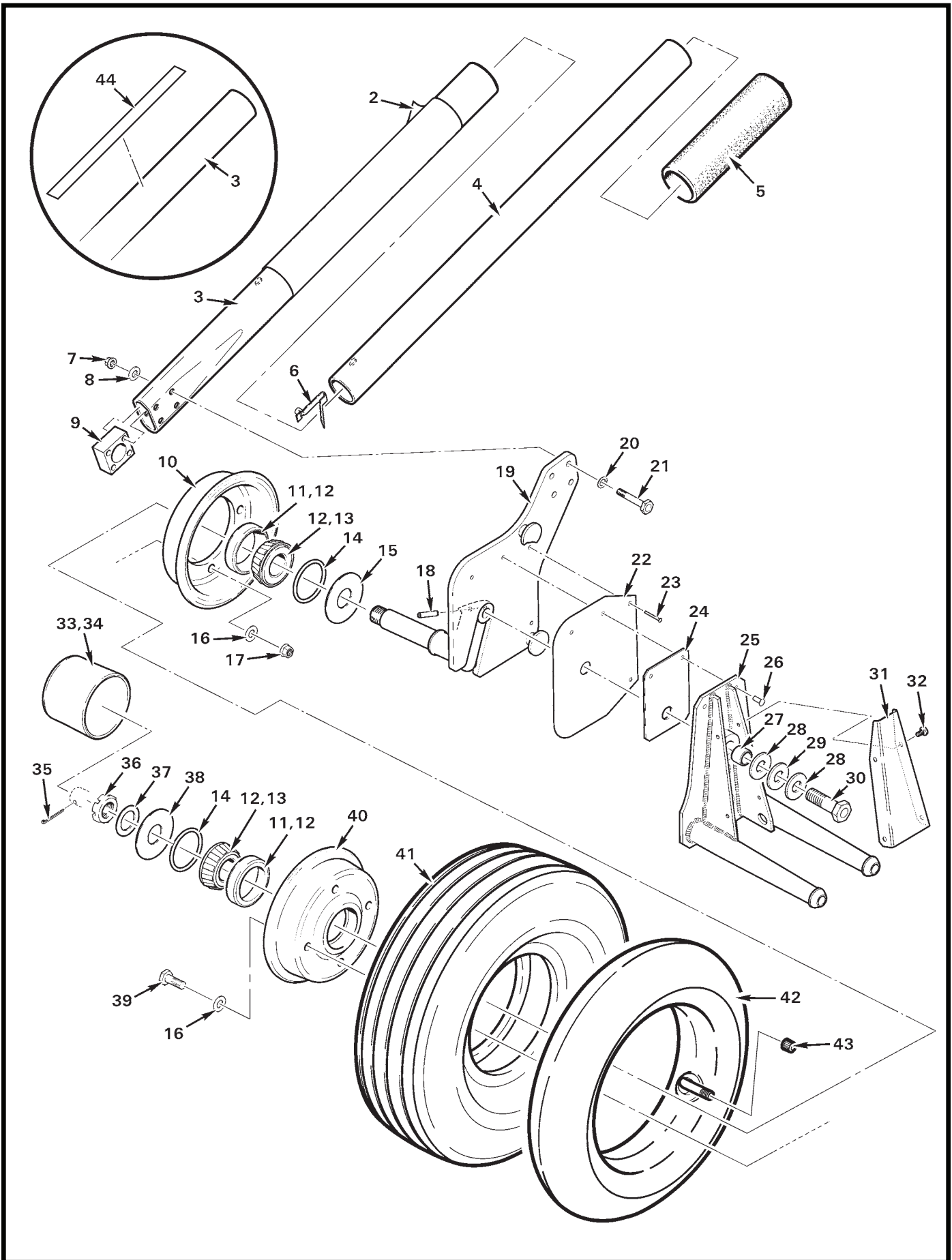


FIGURE AND INDEX NUMBER	PART NUMBER	DESCRIPTION	PARTS AVAIL	QTY PER ASSY
		<b>GROUND HANDLING WHEEL ASSEMBLY - POP-OUT FLOATS</b>		
9-5-1	MT980-1	Ground Handling Wheel Assembly - LH (Incl items 2 thru 4, and 7 thru 42) . . . . .	X	1
	MT980-2	Ground Handling Wheel Assembly - RH (Incl items 2 thru 4, and 7 thru 42) . . . . .	X	1
2	MT935-15	Decal (wheel installation instructions, LH) . . . . .	X	1
	MT935-16	Decal (wheel installation instructions, RH; not shown) . . . . .	X	1
3	C718-4	Lever . . . . .	X	1
4	C718-1	Tube Assembly (Incl items 5 and 6) . . . . .	X	1
5	A601-5	Grip . . . . .	X	1
6	A795-4	Pin . . . . .	X	1
7	MS21042L3	Nut . . . . .	X	4
8	NAS1149F0363P	Washer . . . . .	X	4
9	C915-1	Spacer . . . . .	X	1
10	MT947-2	Rim . . . . .	X	1
11	C646-10*	Cup (contact Customer Service for replacement) . . . . .	O	2
12	A257-5	Grease . . . . .	X	A/R
13	C646-9*	Cone . . . . .	X	2
14	A215-123	O-Ring . . . . .	X	2
15	MT141-3	Washer . . . . .	X	1
16	NAS1149F0432P	Washer . . . . .	X	8
17	MS21042L4	Nut . . . . .	X	4
18	MS16562-35	Spring Pin . . . . .	X	1
19	MT982-13	Shaft Weldment (LH, shown) . . . . .	X	1
	MT982-14	Shaft Weldment (RH, not shown) . . . . .	X	1
20	NAS1149F0332P	Washer . . . . .	X	4
21	NAS6603-13	Bolt . . . . .	X	4
22	MT982-7	Pad . . . . .	X	1
23	MS20615-4M	Rivet . . . . .	X	2
24	MT981-6	Pad . . . . .	X	1
25	MT981-1	Support Weldment . . . . .	X	1
26	MS20426AD4	Rivet . . . . .	X	2
27	O6DU06	Bearing . . . . .	X	1

NOTES \* Install using item 12.

Continues

FIGURE AND INDEX NUMBER	PART NUMBER	DESCRIPTION	PARTS AVAIL	QTY PER ASSY
<b>GROUND HANDLING WHEEL ASSEMBLY - POP-OUT FLOATS (Cont'd)</b>				
9-5-28	MT141-1	Washer . . . . .	X	2
29	MT141-2	Washer (teflon-coated, one side) . . . . .	X	1
30	NAS6606-10	Bolt . . . . .	X	1
31	MT981-7	Cover . . . . .	O	1
32	MS35206-226	Screw . . . . .	X	4
33	A959-11	Cap (install using item 34) . . . . .	X	1
34	B270-15	Adhesive . . . . .	X	A/R
35	MS24665-285	Cotter Pin . . . . .	X	1
36	AN320-8	Nut . . . . .	X	1
37	NAS1149F0832P	Washer (for shimming) . . . . .	X	A/R
38	A214-12	Washer . . . . .	X	1
39	NAS6604-6	Bolt . . . . .	X	4
40	MT947-1	Rim . . . . .	X	1
41	MT936-5	Tire . . . . .	X	1
42	MT936-6	Tube - Inner (Incl item 43) . . . . .	X	1
43	—	Cap - Valve . . . . .	O	1
***				
44	A654-81	Decal (wheel installation instructions, MT980 assembly revision "E" and prior) . . . . .	X	1

NOTES



Intentionally Blank

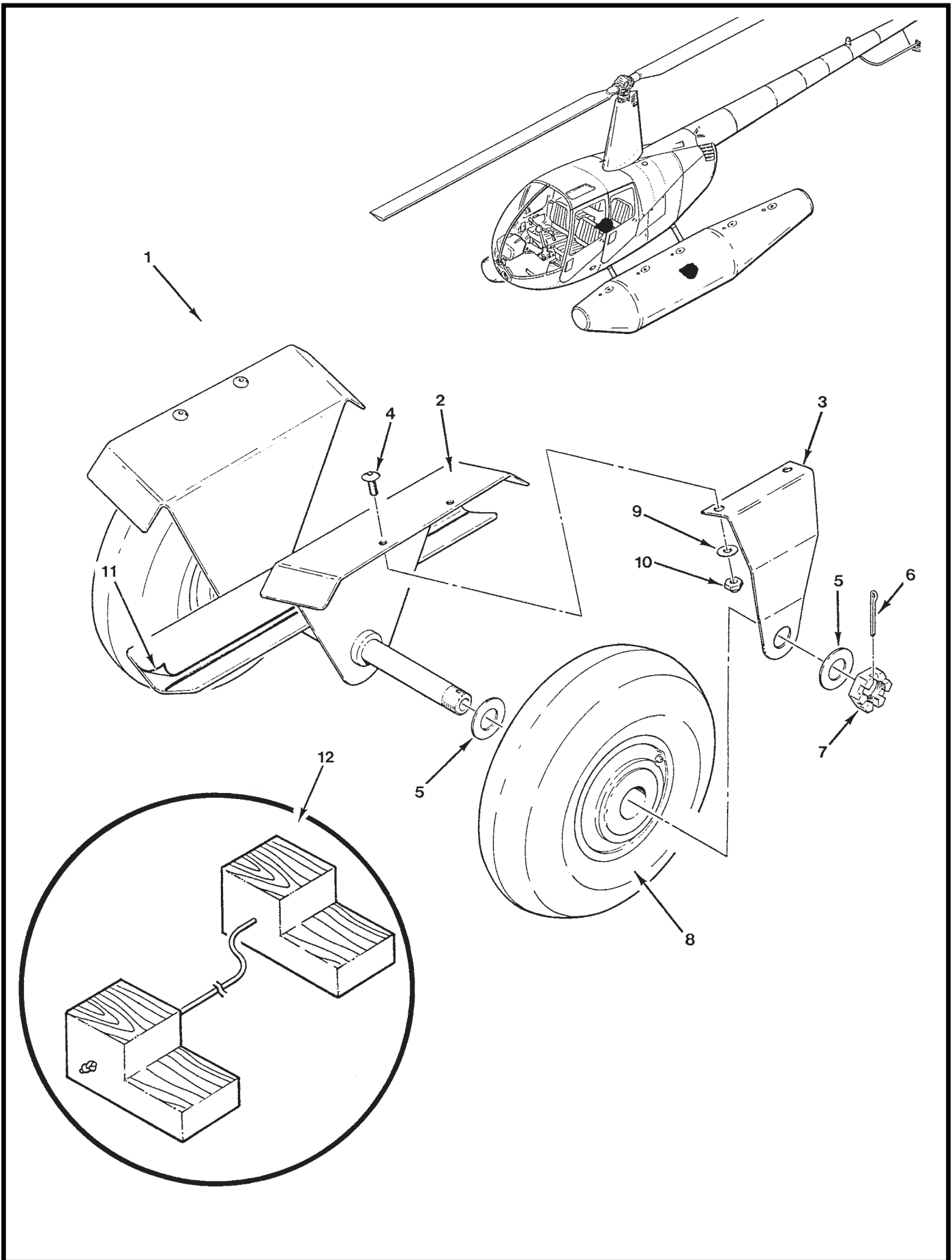


FIGURE AND INDEX NUMBER	PART NUMBER	DESCRIPTION	PARTS AVAIL	QTY PER ASSY
GROUND HANDLING WHEEL ASSEMBLY - FIXED FLOATS				
9-9-1	B132-1	Ground Handling Wheel Assembly (Incl items 2 thru 11) . . . . .	X	1
2	B131-1	Frame Weldment . . . . .	O	1
3	B294-1	Support . . . . .	X	1
4	A142-2	Screw . . . . .	X	4
5	NAS1149F1032P	Washer . . . . .	X	2
6	MS24665-355	Cotter Pin . . . . .	X	2
7	AN320-10	Nut . . . . .	X	2
8	B132-2	Wheel . . . . .	X	2
9	NAS1149FN816P	Washer . . . . .	X	4
10	MS21042L08	Nut . . . . .	X	4
11	A751-2	Strip . . . . .	X	2
12	B133-5	Block Assembly . . . . .	X	1

NOTES

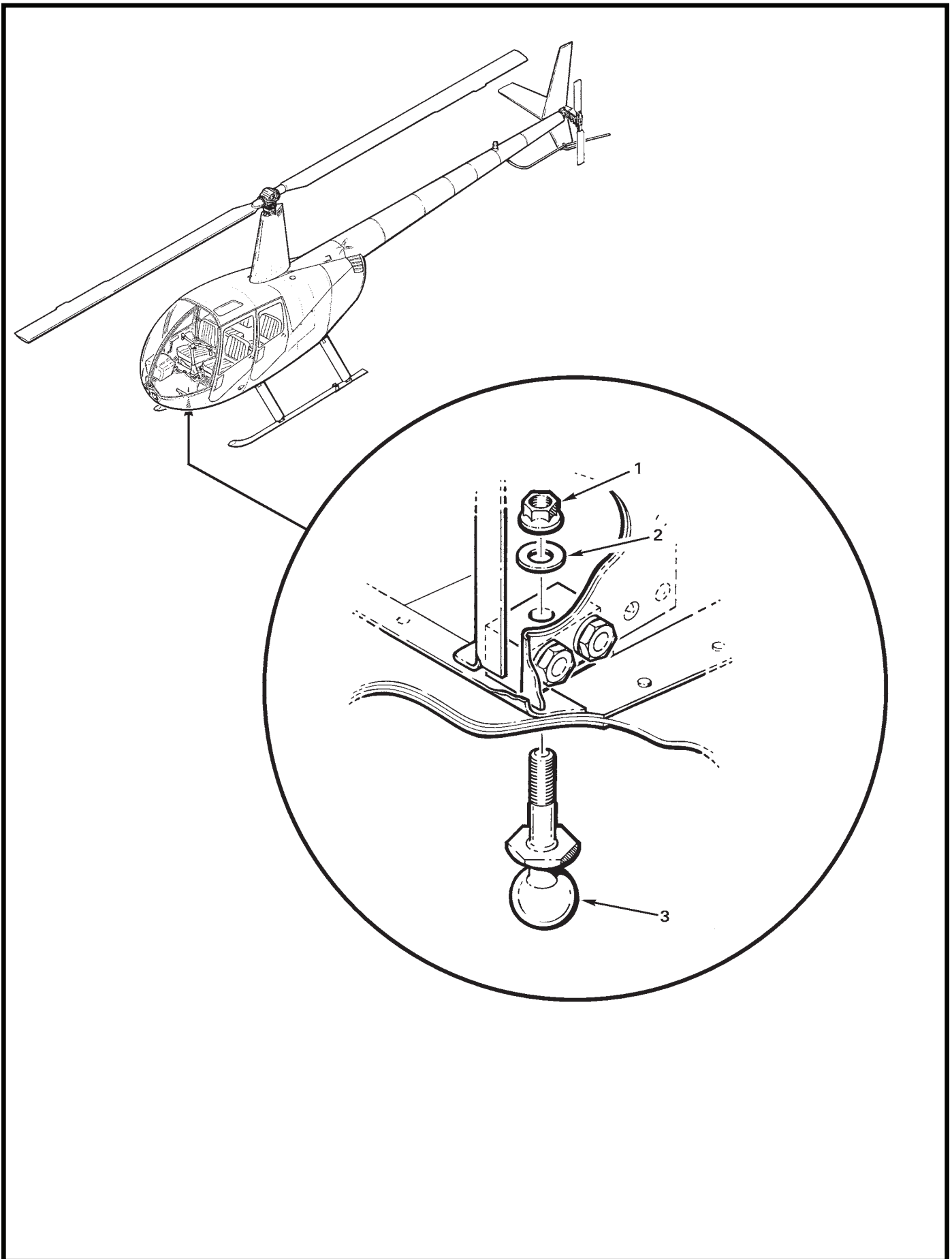


FIGURE AND INDEX NUMBER	PART NUMBER	DESCRIPTION	PARTS AVAIL	QTY PER ASSY
GROUND HANDLING BALL INSTALLATION				
9-11-1	MS21042L5	Nut . . . . .	X	1
2	NAS1149F0532P	Washer . . . . .	X	1
3	C700-7	Ball . . . . .	X	1
NOTES				

Intentionally Blank