

## CHAPTER 18

## TRACK AND BALANCE

<i>Figure</i>	<i>Title</i>	<i>Page</i>
18-1	TEC ACES Balancing System . . . . .	18.0
18-3	TEC ACES Balancing System . . . . .	18.2
18-5	Chadwick-Helmuth Balancing System . . . . .	18.4

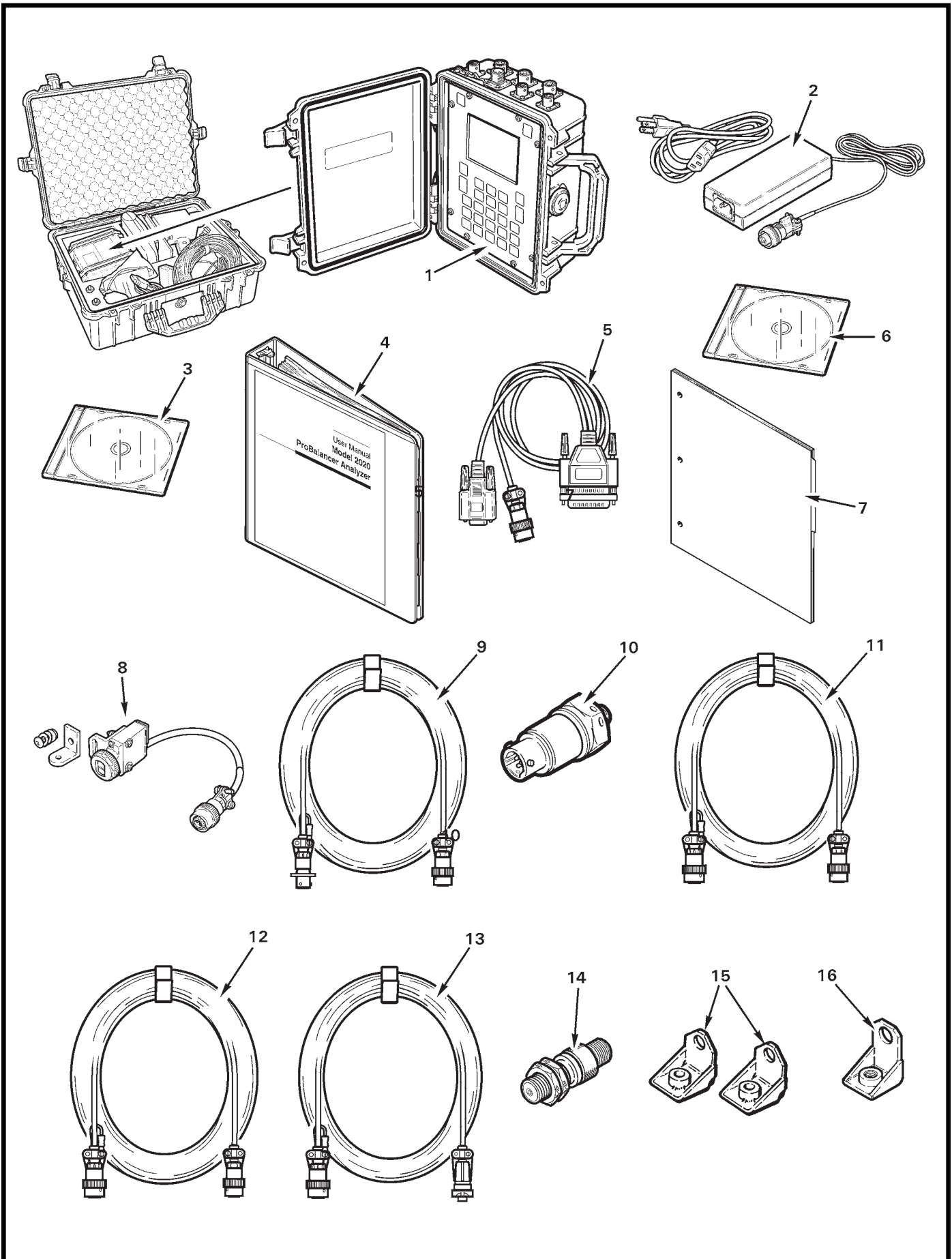


FIGURE AND INDEX NUMBER	PART NUMBER	DESCRIPTION	PARTS AVAIL	QTY PER ASSY
<b>TEC ACES BALANCING SYSTEM</b>				
18-1-1	10-100-2020HR	Tec Aces Analyzer and Turbo Probalancing System (includes items 1 thru 16, and Figure 18-3 items 1 thru 9) . . . . .	X	1
	Z2020-LGCASE KIT	Carry Case - "Aces 2020" . . . . .	X	1
2	Z10-320-4043-110V	Charger - NiMH Battery (110V) . . . . .	X	1
3	75-900-0193D	DVD - "Aces 2020" . . . . .	X	1
4	75-900-2020	Manual - "Aces 2020" User's Manual . . . . .	X	1
5	10-320-0157	Cable - "Aces 2020" (6 ft) . . . . .	X	1
6	10-700-0102	Software - "Avtrend Bronze" . . . . .	X	1
7	75-900-2026	Manual - "Avtrend Bronze" User's Manual . . . . .	X	1
8	10-100-1773	Tachometer - Optical Photocell . . . . .	X	1
9	10-320-0126	Cable - Tachometer (50 ft) . . . . .	X	1
10	69-100-0075	Sensor - Vibration Transducer . . . . .	X	2
11	10-320-0162	Cable - Sensor (25 ft) . . . . .	X	1
12	10-320-0163	Cable - Sensor (50 ft) . . . . .	X	1
13	10-320-0052	Cable - Magnetic pickup (25 ft) . . . . .	X	1
14	75-900-0187	Sensor - Magnetic pickup . . . . .	X	1
15	22-420-0035	Mount - 1/4 in. hole . . . . .	X	2
16	22-430-0036	Mount - 5/16 in. hole . . . . .	X	1

NOTES

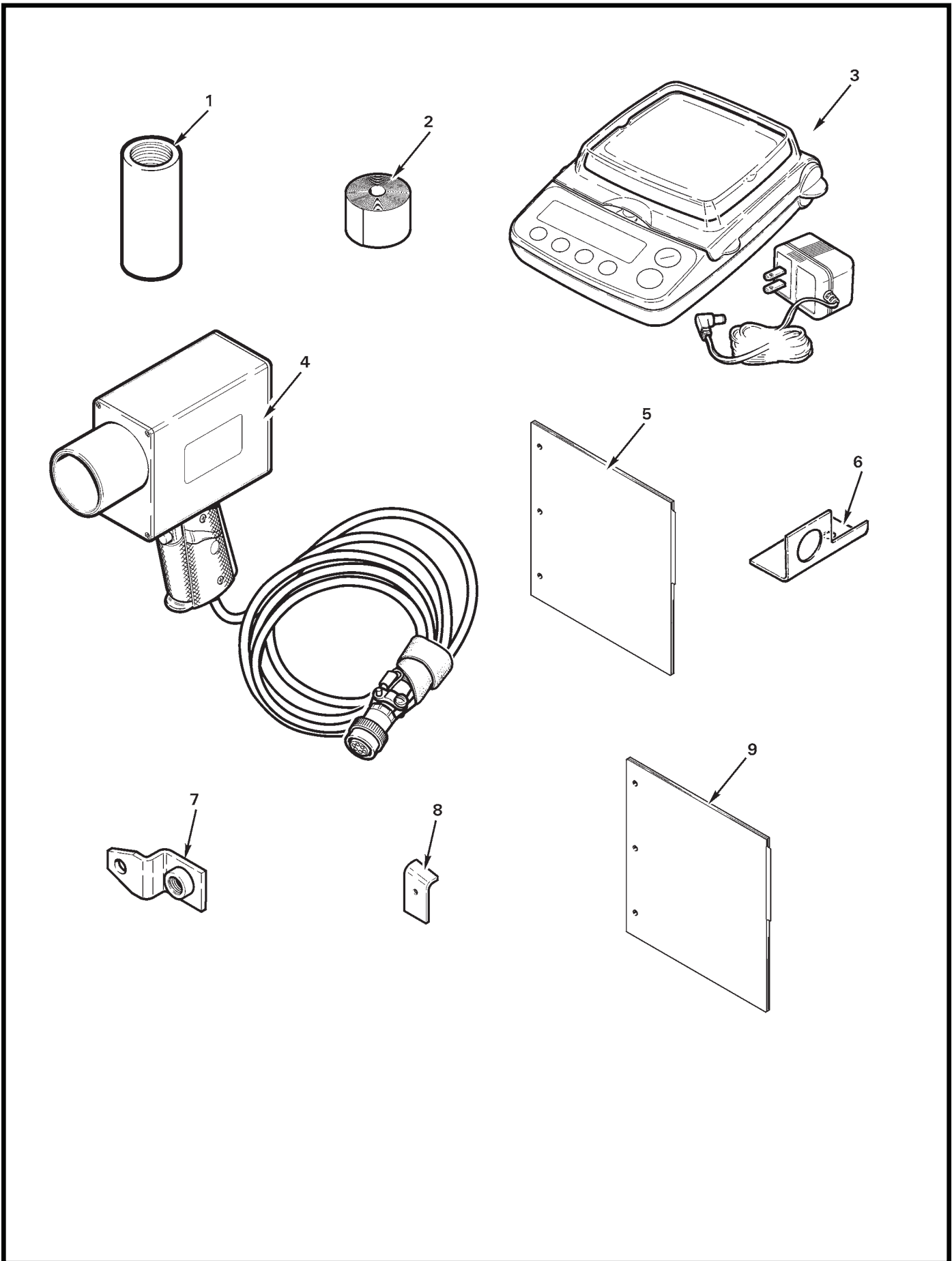


FIGURE AND INDEX NUMBER	PART NUMBER	DESCRIPTION	PARTS AVAIL	QTY PER ASSY
<b>TEC ACES BALANCING SYSTEM*</b>				
18-3-1	22-430-0096	Sun Shield - Tachometer . . . . .	X	1
2	10-400-0176	Reflective Tape (10-ft roll) . . . . .	X	1
3	75-900-0507	Scale . . . . .	X	1
4	75-900-0542	Tracker - Optical . . . . .	X	1
5	—	Manual - Optical Tracker (Supplement) . . . . .	X	1
6	22-430-0066	Mount - Multipurpose . . . . .	X	1
7	22-430-0037	Mount - Sensor . . . . .	X	1
8	22-430-0082	Interrupter . . . . .	X	1
9	75-900-2022	Manual - EPS Supplement . . . . .	X	1

NOTES \* See also Figure 18-1.

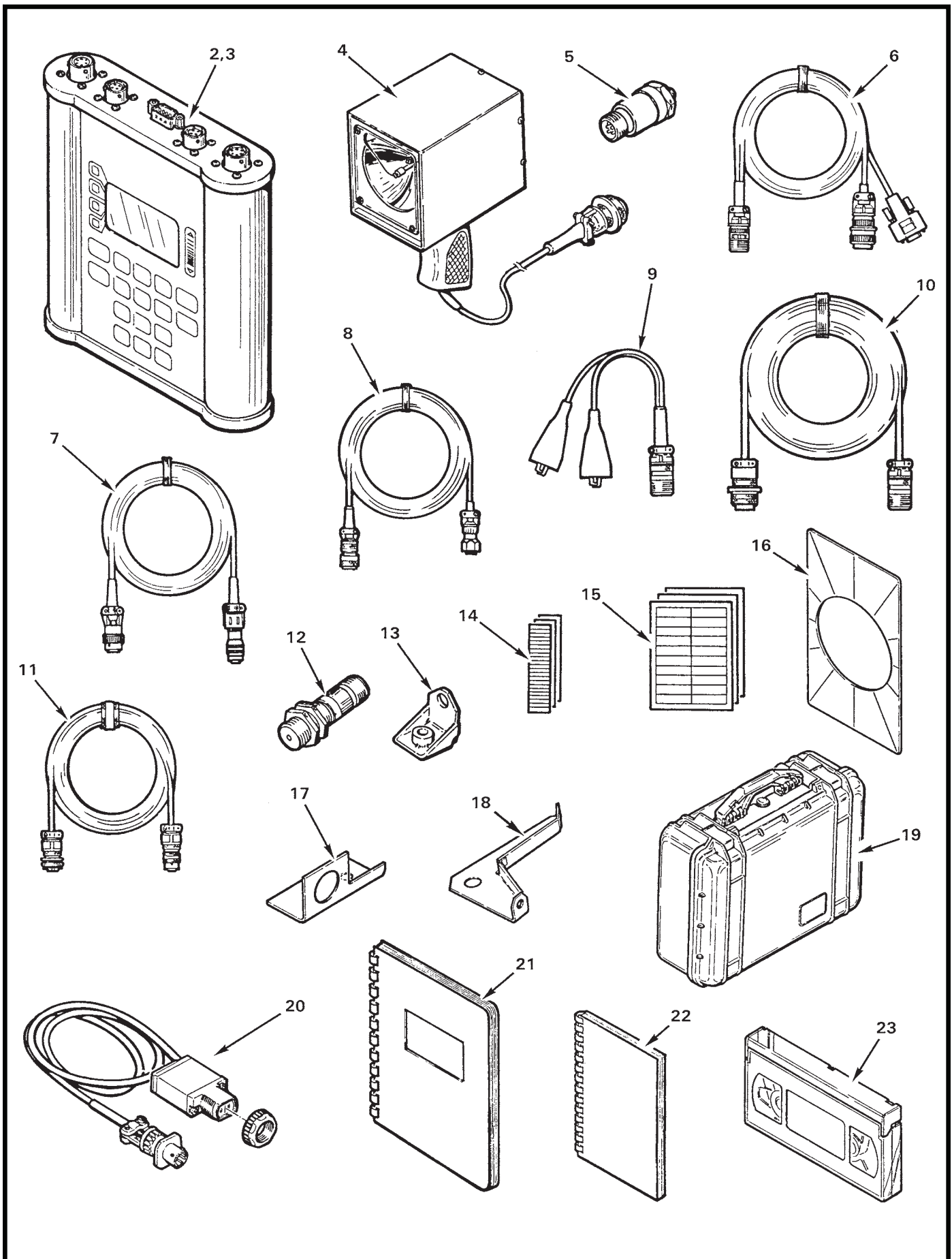


FIGURE AND INDEX NUMBER	PART NUMBER	DESCRIPTION	PARTS AVAIL	QTY PER ASSY
<b>CHADWICK-HELMUTH BALANCING SYSTEM</b>				
18-5-1	KI-68	Chadwick-Helmuth Balancing System (Incl items 2, and 4 thru 23) .	X	1
	KI-68A	Chadwick-Helmuth Balancing System (Incl items 3 thru 23) . . .	X	1
2	13590*	Balancer - Vibrex 2000 . . . . .	O	1
3	14990*	Balancer - Vibrex 2000 Plus (includes spectrum viewer) . . . . .	O	1
4	8620*	Strobex Tracker (135M-12) . . . . .	O	1
5	901-7310*	Velocimeter . . . . .	X	1
6	13797*	Cable Assembly - Vibrex 2000/Strobex . . . . .	O	1
7	11247-50*	Cable Assembly - Optical (50 feet) . . . . .	O	1
8	902-11210-50*	Cable Assembly - Velo (50 feet) . . . . .	O	1
9	902-3140-5*	Cable Assembly - DC (with battery clips) . . . . .	O	1
10	902-3529*	Cable Assembly - DC (50-foot extension) . . . . .	O	1
11	902-10808-25*	Cable Assembly - Magnetic Pickup (25 feet) . . . . .	O	1
12	906-5876*	Magnetic Pickup (3030) . . . . .	X	1
13	904-3382A*	Bracket - Transducer (0.28 HL SS) . . . . .	X	1
14	907-3300*	Target Patch Set (sheet of 20) . . . . .	X	1
15	907-4270-1*	Tip Targets (laminated, sheet of 20) . . . . .	X	1
16	13871*	Protractor - Vibrex 2000 (T/R) . . . . .	O	1
17	10423A	Bracket - Vibrex 2000 (generic) . . . . .	O	1
18	MT121-1	Bracket - Magnetic Pickup . . . . .	X	1
19	13842*	Carrying Case - Vibrex 2000 . . . . .	O	1
20	12900*	Photocell . . . . .	O	1
21	9076*	Operation/Maintenance Manual . . . . .	O	1
22	13841-6*	User Guide - Vibrex 2000/2000 Plus . . . . .	O	1
23	610-453*	Video - Vibrex 2000 . . . . .	O	1

NOTES \* Chadwick-Helmuth part no.

Intentionally Blank