

CHAPTER 10
PARKING AND STORAGE

<i>Figure</i>	<i>Title</i>	<i>Page</i>
10-1	Main Rotor Blade Tie-Downs	10.0
10-3	Cabin Covers	10.2
10-5	Tie-Down Installation	10.4
10-7	Hardpoint Hinge and Tie-Down Ring Installations	10.6
10-9	Main Rotor Blade Support Installation	10.8

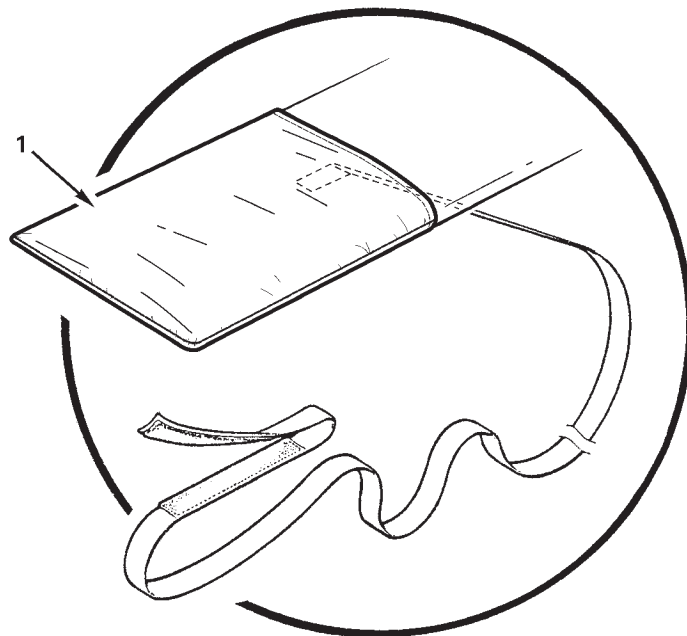
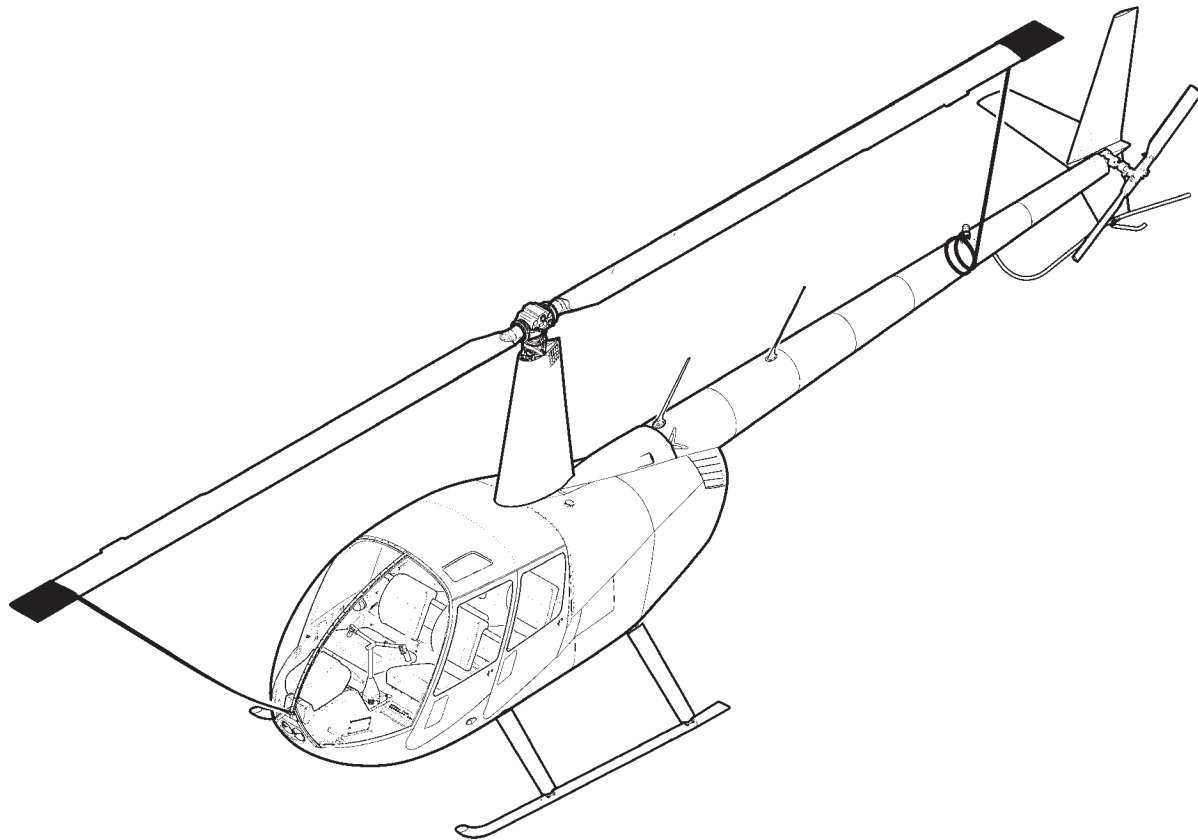


FIGURE AND INDEX NUMBER	PART NUMBER	DESCRIPTION	PARTS AVAIL	QTY PER ASSY
10-1-1	MT290-2	<p style="text-align: center;">MAIN ROTOR BLADE TIE-DOWNS</p> <p>Main Rotor Blade Tie-Down (set of two)</p>	X	1
NOTES				

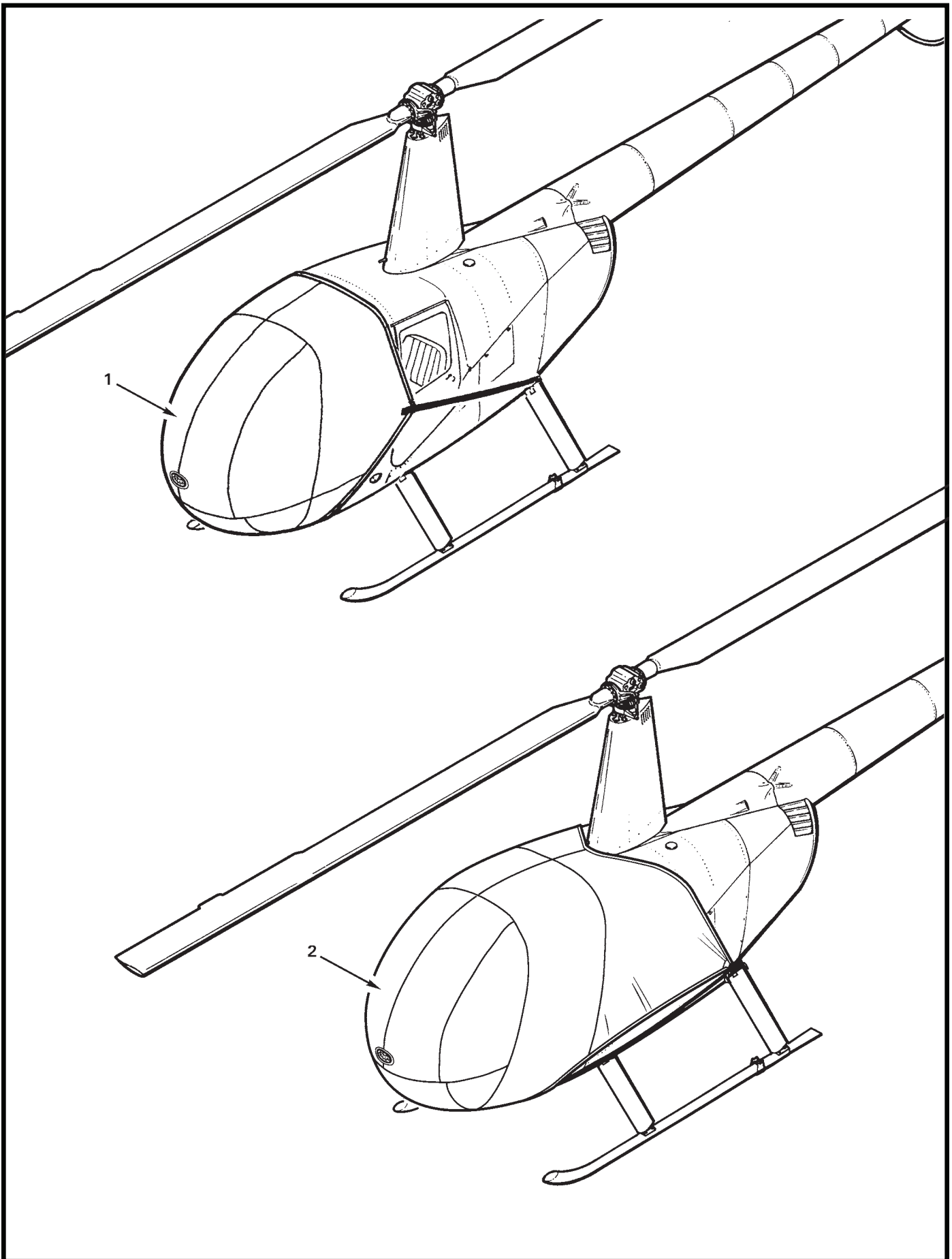


FIGURE AND INDEX NUMBER	PART NUMBER	DESCRIPTION	PARTS AVAIL	QTY PER ASSY
CABIN COVERS				
10-3-1	R44-004	Bubble Cover	X	1
2	R44-000	Full Cover (optional)	X	1
3	R44-005	Full Cover (ENG/Police ships; not shown)	X	1
NOTES				

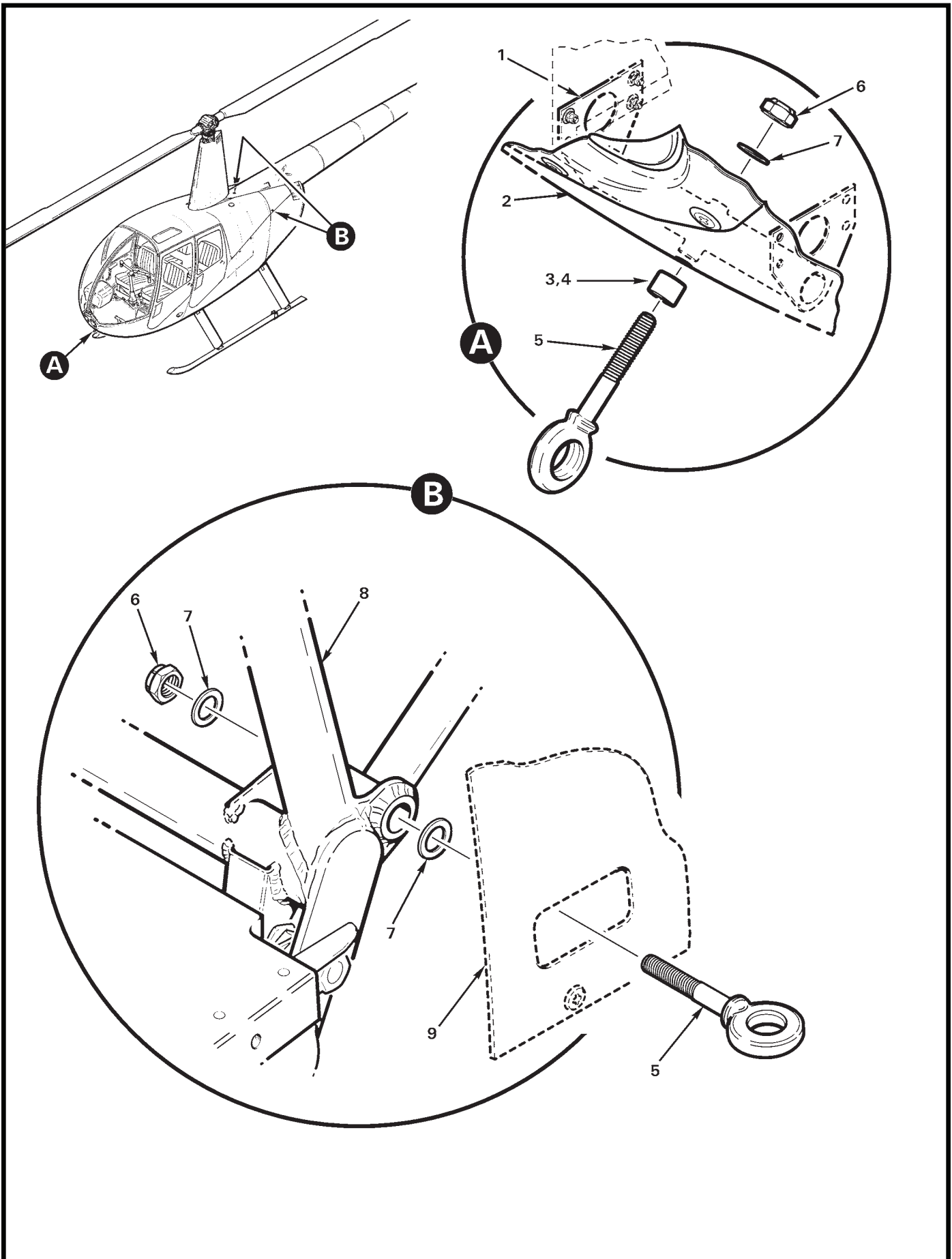


FIGURE AND INDEX NUMBER	PART NUMBER	DESCRIPTION	PARTS AVAIL	QTY PER ASSY
TIE-DOWN INSTALLATION				
10-5-1	D125-5	Weldment (Ref)		
2	C272	Chin (Ref)		
3	C130-38	Spacer (install using item 4)	X	1
4	B270-1	Sealant (2-oz tube)	X	A/R
5	A964-2	Eyebolt	X	3
6	21FKF-616	Nut	X	3
7	NAS1149F0632P	Washer	X	5
8	C020-2	Frame Assembly - Upper (Ref)		
9	C706-3	Panel (LH, Ref)		
	D040-7	Door (RH, Ref; not shown)		

NOTES

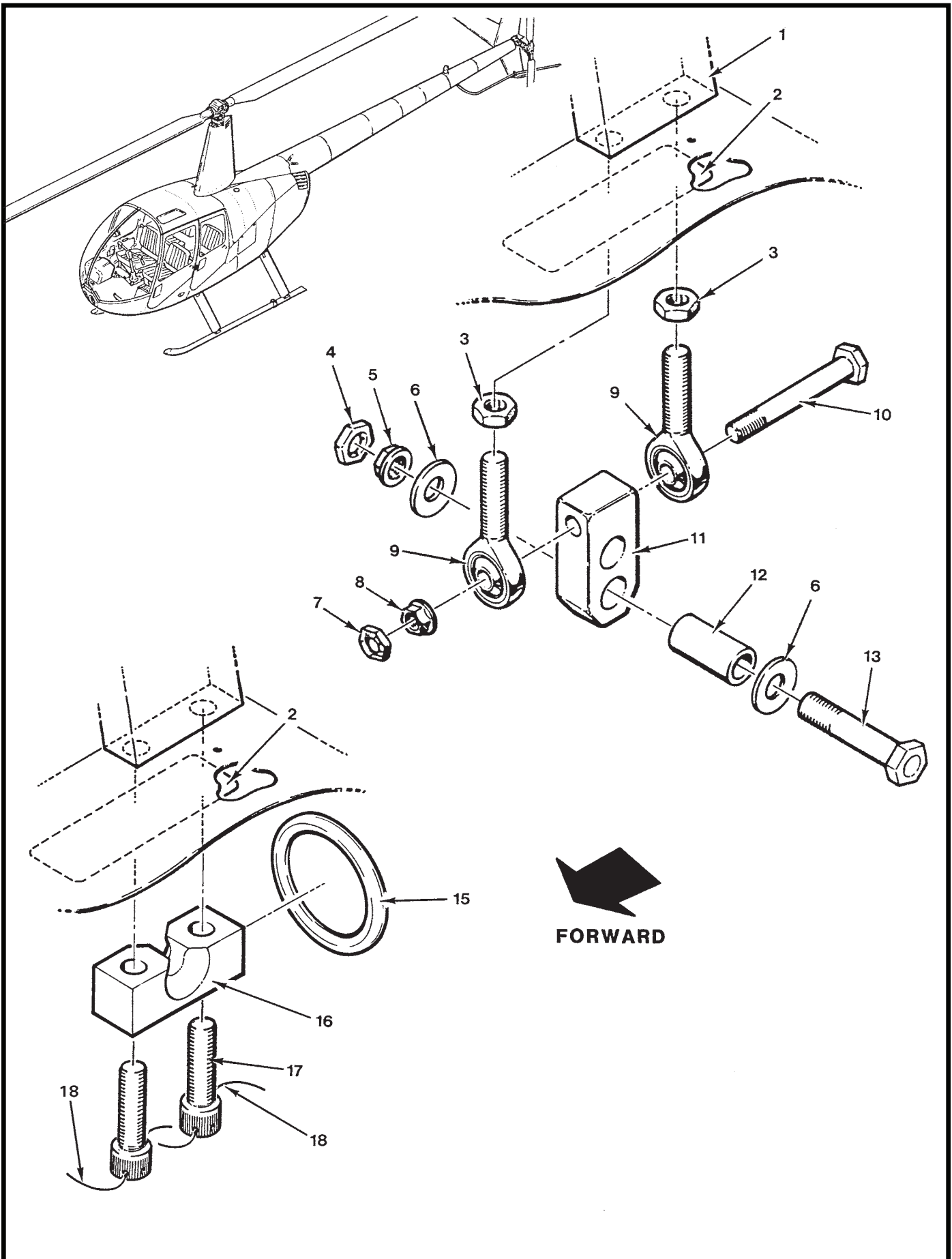


FIGURE AND INDEX NUMBER	PART NUMBER	DESCRIPTION	PARTS AVAIL	QTY PER ASSY
		HARDPOINT HINGE AND TIE-DOWN RING INSTALLATIONS		
10-7-1	D134-1	Block (Ref)		
2	C654-9	Decal	X	1
3	AN316-6R	Nut	X	2
4	B330-19	Palnut	X	1
5	MS21042L6	Nut	X	1
6	A214-1	Washer	X	2
7	B330-16	Palnut	X	1
8	MS21042L5	Nut	X	1
9	D173-1	Rod End	X	2
10	NAS6605-26	Bolt	X	1
11	D136-1	Support	X	1
12	B139-1	Journal	X	1
13	NAS6606-17	Bolt	X	1
14	KI-86	Hardpoint Hinge Installation Kit (Incl items 2 thru 13)	X	1
15	3779T84	Ring	X	1
16	B253-2	Anchor	X	1
17	NAS1351-6H20P	Screw	X	2
18	MS20995C32	0.032 in. dia. Safety Wire	X	A/R

NOTES

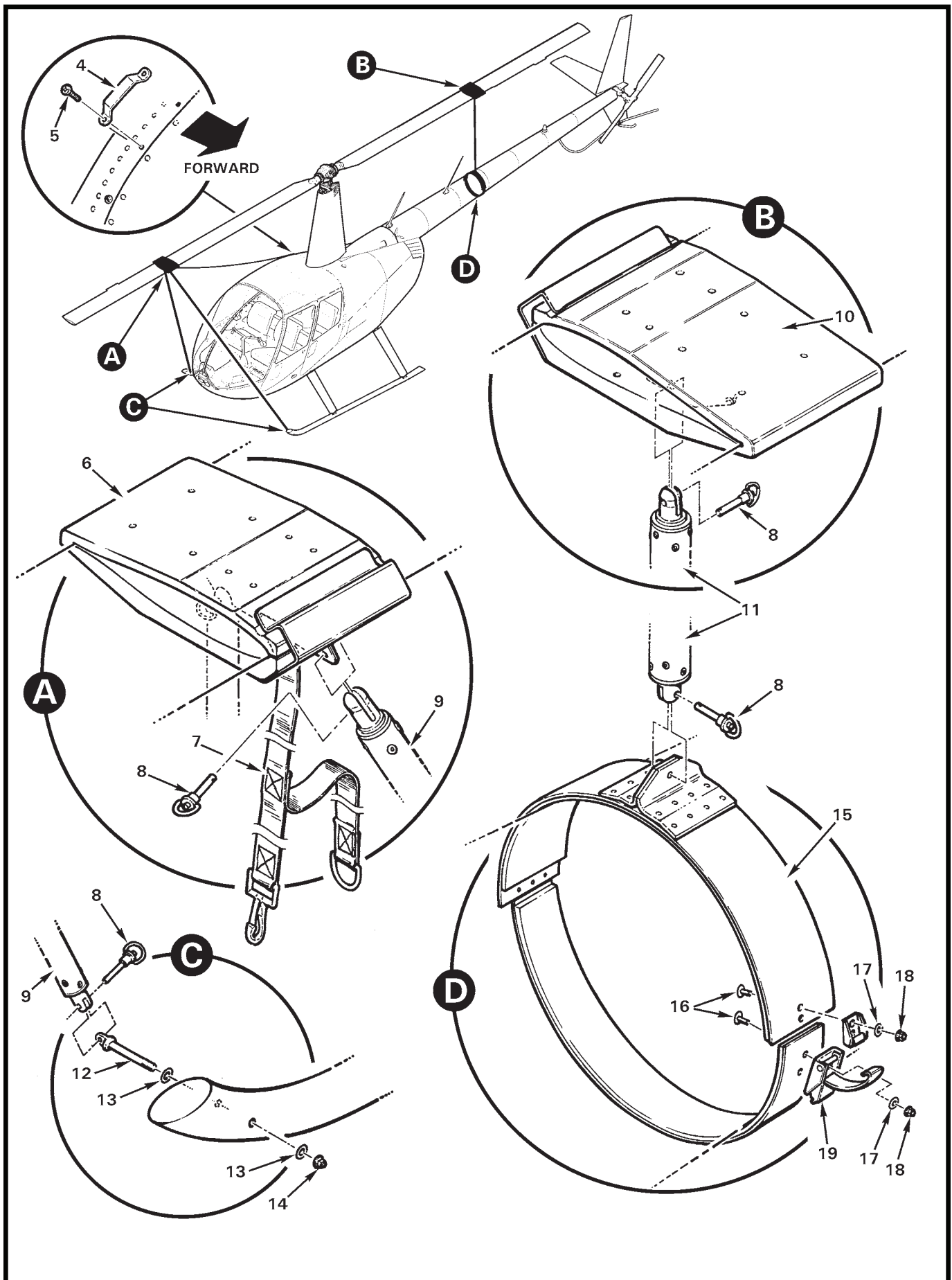


FIGURE AND INDEX NUMBER	PART NUMBER	DESCRIPTION	PARTS AVAIL	QTY PER ASSY
MAIN ROTOR BLADE SUPPORT INSTALLATION				
10-9-1	MT349-4	Main Rotor Blade Support Assembly (Incl items 2 and 3)	X	1
2	MT349-6	Support Assembly – Forward (Incl items 6, 8 [4], and 9)	X	1
3	MT349-5	Support Assembly – Aft (Incl items 8 [2], 10, 11, and 15) . . .	X	1
4	D127-2	Cleat	X	1
5	MS27039C0807	Screw	X	2
6	MT345-1	Cradle Assembly (forward blade; includes item 7)	X	1
7	MT345-5	Strap Assembly	X	1
8	92384A034	Pin	X	6
9	MT347-8	Strut Assembly (LH and RH)	X	2
10	MT345-2	Cradle Assembly (aft blade)	X	1
11	MT347-7	Strut Assembly (aft)	X	1
12	B218-2	Eye Bolt	X	2
13	NAS1149F0532P	Washer (under head)	X	2
	NAS1149F0563P	Washer (under nut)	X	2
14	B340-13	Nut	X	2
15	MT348-7	Clamp Assembly (Incl items 16 thru 19)	X	1
16	AN525-832R6	Screw	X	3
17	NAS1149FN816P	Washer	X	3
18	MS21042L08	Nut	X	3
19	97-50-215-12	Latch (includes lug)	X	1

NOTES

Intentionally Blank