

**SECTION 1**

**GENERAL**

**CONTENTS**

	<b>Page</b>
Introduction . . . . .	1-1
Cautions and Notes . . . . .	1-2
Three-View of R22 Helicopter . . . . .	1-3
Descriptive Data . . . . .	1-4
Performance Definitions . . . . .	1-6
Weight and Balance Definitions . . . . .	1-7
Conversion Tables . . . . .	1-8

INTENTIONALLY BLANK

## **SECTION 1**

### **GENERAL**

#### **INTRODUCTION**

This Pilot's Operating Handbook is designed as an operating guide for the pilot. It includes the material required to be furnished to the pilot by 14 CFR parts 21 and 27. It also contains supplemental data supplied by the helicopter manufacturer.

This handbook is not designed as a substitute for adequate and competent flight instruction or for knowledge of current airworthiness directives, applicable federal aviation regulations, and advisory circulars. Nor is it intended to be a guide for basic flight instruction or a training manual. It should not be used for operational purposes unless kept in a current status.

Assuring that the helicopter is in airworthy condition is the responsibility of the owner. The pilot in command is responsible for determining that the helicopter is safe for flight. The pilot is also responsible for remaining within the operating limitations as outlined by instrument markings, placards, and this handbook.

Since it is very difficult to refer to a handbook while flying a helicopter, the pilot should study the entire handbook and become very familiar with the limitations, performance, procedures, and operational handling characteristics of the helicopter before flight.

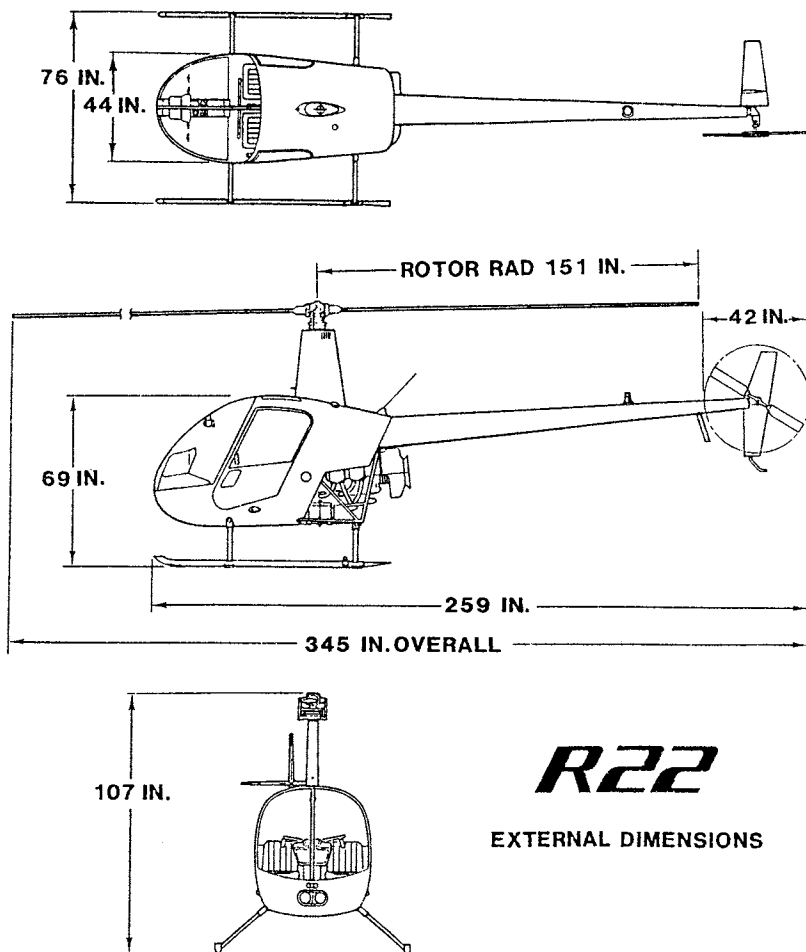
This handbook has been divided into ten numbered sections. Limitations and emergency procedures have been placed ahead of normal procedures, performance, and other sections to provide easier access to that information. Provisions for expansion of the handbook have been made by deliberate omission of certain paragraph numbers, figure numbers, item numbers, and pages noted as being intentionally blank.

**CAUTIONS AND NOTES**

Cautions and Notes emphasize important information and are used as follows:

***CAUTION*** Equipment damage, injury, or death can result if procedure or instruction is not followed.

***NOTE*** Provides emphasis or supplementary information.



THREE-VIEW OF R22 HELICOPTER

**DESCRIPTIVE DATA**

**MAIN ROTOR**

Articulation	Free to teeter and cone, rigid inplane
Number of Blades	2
Diameter	25 feet 2 inches
Blade Chord	7.2 inches (constant)
Blade Twist	-8 degrees
Tip Speed @ 100% RPM	672 FPS

**TAIL ROTOR**

Articulation	Free to teeter, rigid inplane
Number of Blades	2
Diameter	3 feet 6 inches
Blade Chord	4 inches (constant)
Blade Twist	0 degrees
Precone Angle	1 degree 11 minutes
Tip Speed @ 100% RPM	599 FPS

**DRIVE SYSTEM**

Engine to Upper Sheave:	Two double Vee-belts with .8536:1 speed reducing ratio
Upper Sheave to Drive Line:	Sprag type overrunning clutch
Drive Line to Main Rotor:	Spiral-bevel gears with 11:47 speed reducing ratio
Drive Line to Tail Rotor:	Spiral-bevel gears with 3:2 speed increasing ratio

**DESCRIPTIVE DATA (cont'd)**

**POWERPLANT**

Model: Lycoming O-320 or O-360

Type: Four cylinder, horizontally opposed, direct drive  
air cooled, carbureted, normally aspirated

Displacement: 319.8 (O-320) or 361.0 (O-360) cubic inches

Normal rating:

O-320-A2B or A2C	150 BHP @ 2700 RPM (Standard R22)
O-320-B2C	160 BHP @ 2700 RPM (R22 HP, Alpha, and Beta)
O-360-J2A	145 BHP (derated) @ 2700 RPM (R22 Beta II)

Maximum continuous rating in R22: 124 BHP at 2652 RPM  
(104% on tachometer)

5 minute takeoff rating for Beta and  
Beta II only: 131 BHP at 2652 RPM

Cooling system: Direct drive squirrel-cage blower

**FUEL**

Approved fuel grades and capacity: See Section 2. |

**OIL**

Approved oil grades and capacity: See Section 8. |

**PERFORMANCE DEFINITIONS**

IAS	Knots Indicated Airspeed is speed shown on the airspeed indicator.
KCAS	Knots Calibrated Airspeed is speed shown on the airspeed indicator corrected for instrument and position error. (See page 5-2 for position error correction.)
KTAS	Knots True Airspeed is airspeed relative to undisturbed air. It is KCAS corrected for pressure altitude and temperature.
V <sub>ne</sub>	Never-Exceed Airspeed.
V <sub>y</sub>	Speed for best rate of climb.
MSL Altitude	Altitude above sea level, in feet, indicated by the altimeter (corrected for position and instrument error) when the barometric subscale is set to the atmospheric pressure existing at sea level.
Pressure Altitude	Altitude, in feet, indicated by the altimeter (corrected for position and instrument error) when the barometric subscale is set to 29.92 inches of mercury (1013.2 mb).
Density Altitude	Altitude, in feet, in ISA conditions at which the air would have the same density (it is pressure altitude corrected for OAT).
ISA	International Standard Atmosphere exists when pressure is 29.92 inches of mercury at sea level, temperature is 15°C at sea level, and temperature decreases 1.98°C per 1000 feet of altitude.
BHP	Brake Horsepower is actual power output of the engine.
MAP	Manifold Pressure is the absolute pressure, in inches of mercury, in the engine intake manifold.
RPM	Revolutions Per Minute or speed of engine or main rotor. (Shown by tachometer as percentage of 2550 engine RPM or 510 main rotor RPM).
MCP	Maximum Continuous Power.
TOP	Takeoff Power (usually for a maximum of 5 minutes).
Critical Altitude	Altitude at which full throttle produces maximum allowable power (MCP or TOP).
TOGW	Takeoff Gross Weight.



**PERFORMANCE DEFINITIONS (cont'd)**

OAT	Outside Air Temperature
CAT	Carburetor Air Temperature
CHT	Cylinder Head Temperature
GPH	Gallons Per Hour
AGL	Above Ground Level
IGE	In Ground Effect
OGE	Out of Ground Effect
ALT	Alternator

**WEIGHT AND BALANCE DEFINITIONS**

Reference Datum	A vertical plane from which horizontal distances are measured for balance purposes. The longitudinal reference datum is 100 inches forward of the main rotor shaft centerline for the R22.
Station	Fore-and-aft location along the helicopter fuselage given in terms of distance in inches from the longitudinal reference datum.
Arm	Horizontal distance from a reference datum to the center of gravity (CG) of an item.
Moment	The weight of an item multiplied by its arm.
Center of Gravity (CG)	Location along the fuselage (usually expressed in inches from the reference datum) at which the helicopter would balance. CG is calculated by dividing the total helicopter moment by total helicopter weight.
CG Limits	Extreme CG locations within which the helicopter must be operated at a given weight.
Usable Fuel	Fuel available for flight planning.
Unusable Fuel	Fuel remaining in the tank that cannot reliably provide uninterrupted fuel flow in the critical flight attitude.
Standard Empty Weight	Weight of standard helicopter including unusable fuel, full operating fluids, and full engine oil.
Basic Empty Weight	Standard empty weight plus weight of installed optional equipment.
Payload	Weight of occupants, cargo, and baggage.
Useful Load	Difference between maximum gross weight and basic empty weight.

**CONVERSION TABLES**

**METRIC TO ENGLISH**

<u>Multiply</u>	<u>By</u>	<u>To Obtain</u>
centimeters (cm)	0.3937	inches (in)
kilograms (kg)	2.2046	pounds (lb)
kilometers (km)	0.5400	nautical miles (nm)
kilometers (km)	0.6214	statute miles (mi)
liters (l)	0.2642	gallons, U.S. (gal)
liters (l)	1.0567	quarts (qt)
meters (m)	3.2808	feet (ft)
millibars (mb)	0.0295	inches mercury (in. Hg)

**ENGLISH TO METRIC**

<u>Multiply</u>	<u>By</u>	<u>To Obtain</u>
feet (ft)	0.3048	meters (m)
gallons, U.S. (gal)	3.7854	liters (l)
inches (in)	2.5400	centimeters (cm)
inches (in)	25.4000	millimeters (mm)
inches mercury (in. Hg)	33.8638	millibars (mb)
nautical miles (nm)	1.8520	kilometers (km)
pounds (lb)	0.4536	kilograms (kg)
quarts (qt)	0.9464	liters (l)
statute miles (mi)	1.6093	kilometers (km)

1 nautical mile = 1.1508 statute miles

1 statute mile = 0.8690 nautical mile

**TEMPERATURE**

$$^{\circ}\text{F} = 9/5 (^{\circ}\text{C}) + 32$$

$$^{\circ}\text{C} = 5/9 (^{\circ}\text{F} - 32)$$