

CHAPTER 99

SPECIAL TOOLS

<u>Section</u>	<u>Title</u>	<u>Page</u>
99-10	Special Tools	99.1
99-20	Illustrations and Tasks	99.2

Intentionally Blank

CHAPTER 99
SPECIAL TOOLS

99-10 Special Tools

The following is a list of Robinson R66 special tools.

R66 special tools are to be used in conjunction with the applicable instructions for continued airworthiness, for their designated maintenance task.

99-20 Illustrations and Tasks

Refer to Figure 99-1.

Item	Part Number	Description	Reference
1	MT054-1	Main Gearbox Drain Assembly	MM § 12-11
2	MT122-6	Micrometer Assembly – Main Rotor Hub, Bolt Stretch	MM § 62-10
3	MT146-4	Blocks – Swashplate Rigging (set of 2)	MM § 18-30
4	MT147-1	Bleed Tool – Main Rotor Blade Spindle	MM § 12-51
5	MT179-4	Balancing Bar – Tail Rotor Assembly Static Balance	MM § 64-11
6	MT260-6	Tail Rotor Drive Shaft Runout Attachments Kit	MM § 65-21
7	MT329-6	Plug – Main Rotor Hub Bearing Installation	MM § 62-21

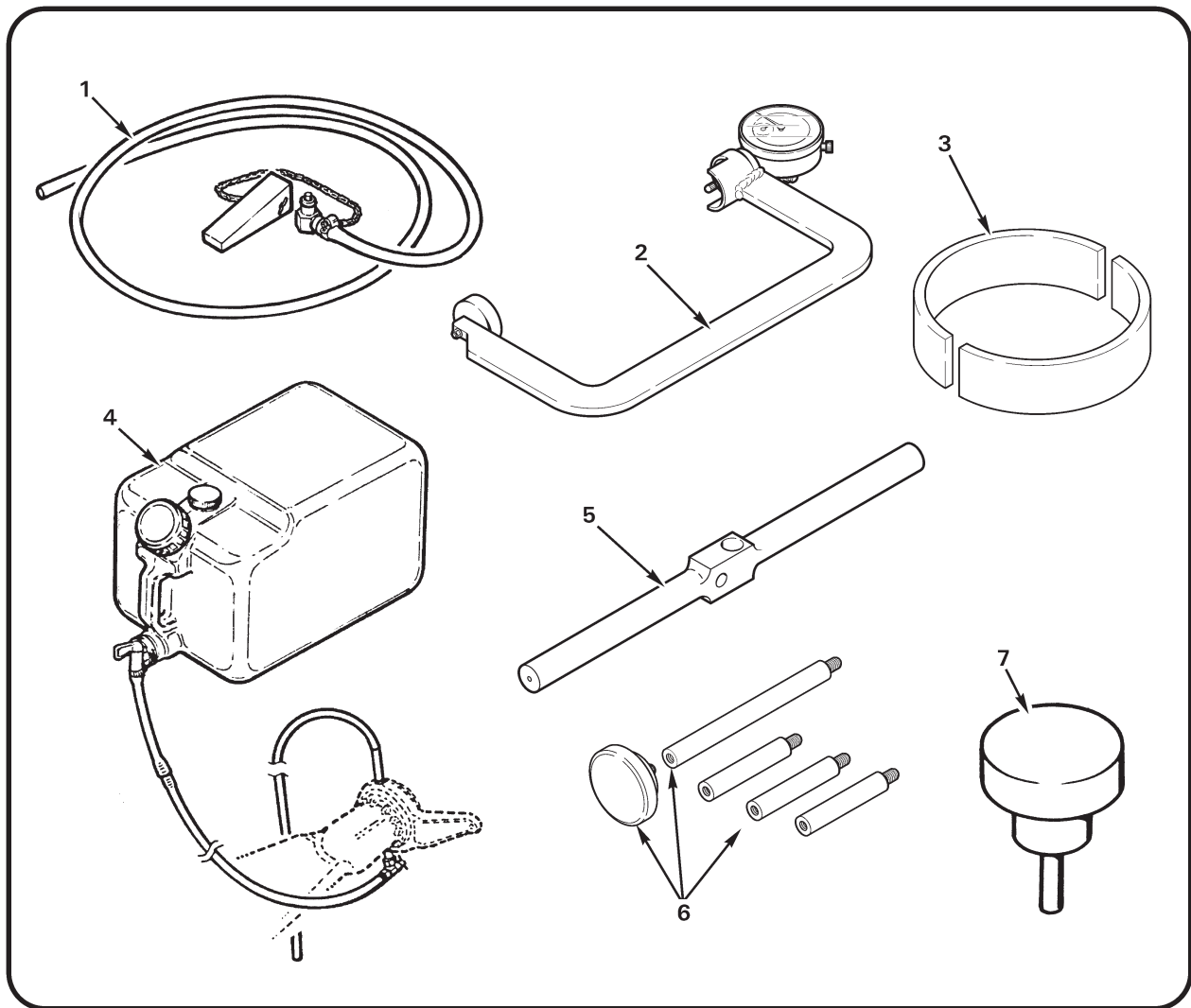


FIGURE 99-1 SPECIAL TOOLS

99-20 Illustrations and Tasks (continued)

Refer to Figure 99-2.

Item	Part Number	Description	Reference
1	MT352-1	Main Rotor Blade Trim Tab Gage	MM § 18-13
2	MT354-4 or -7	Teeter Moment Tool	MM § 62-32
3	MT357-2	0.375-inch diameter Reamer	Various*
4	MT357-3	0.156-inch diameter Cobalt Steel Drill	MM § 62-33
5	MT357-4	Hex Driver (Snap-On Part No. FABL8)	MM § 65-40
6	MT357-5	Torque Adapter (Snap-On Part No. FRDH101)	MM § 65-40
7	MT359-1	Spring Scale (0-30 lb)	MM §§ 62-32, 67-22, & 67-41

* Ream bore after installation of A139-1 bearing to 0.376-0.375 inch diameter.

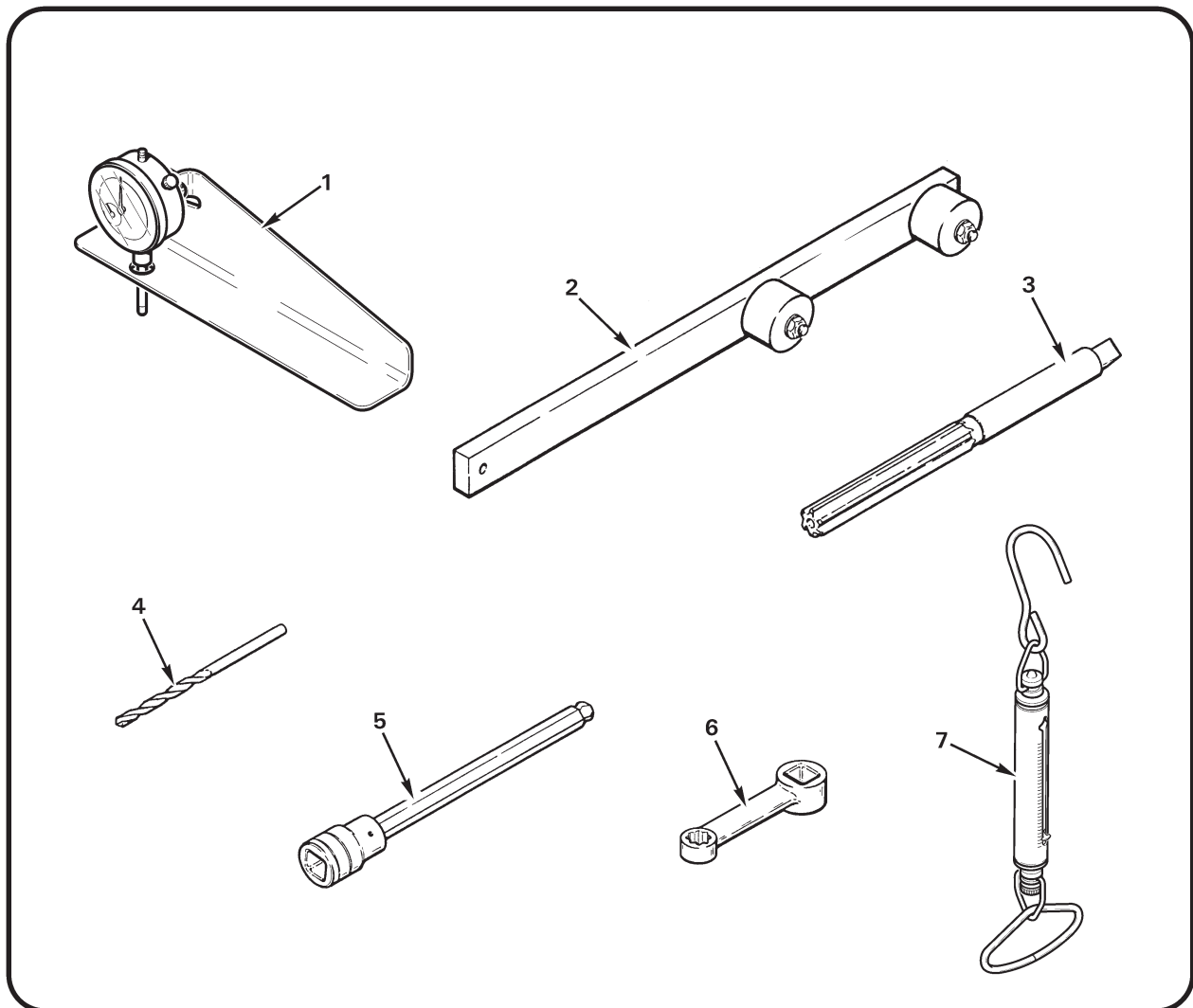


FIGURE 99-2 SPECIAL TOOLS

99-20 Illustrations and Tasks (continued)

Refer to Figure 99-3.

Item	Part Number	Description	Reference
1	MT384-1	Hydraulic Test Pump (U.S / Canada / Mexico – 110 V)	MM § 12-33
2	MT384-2	Hydraulic Test Pump (Outside North America – 220 V)	MM § 12-33
3	MT525-7	Main Rotor Blade Rigging Fixture	MM § 18-40
4	MT525-9	Tail Rotor Blade Rigging Fixture	MM § 18-60
5	MT526-8	Bender Assembly – Trim Tab, Main Rotor Blade (aluminum)	MM § 18-13
6	MT527-1	Helicopter Lifting Fixture	MM § 7-20
7	MT548-8	Fitting (engine hoist adapter)	MM § 71-10

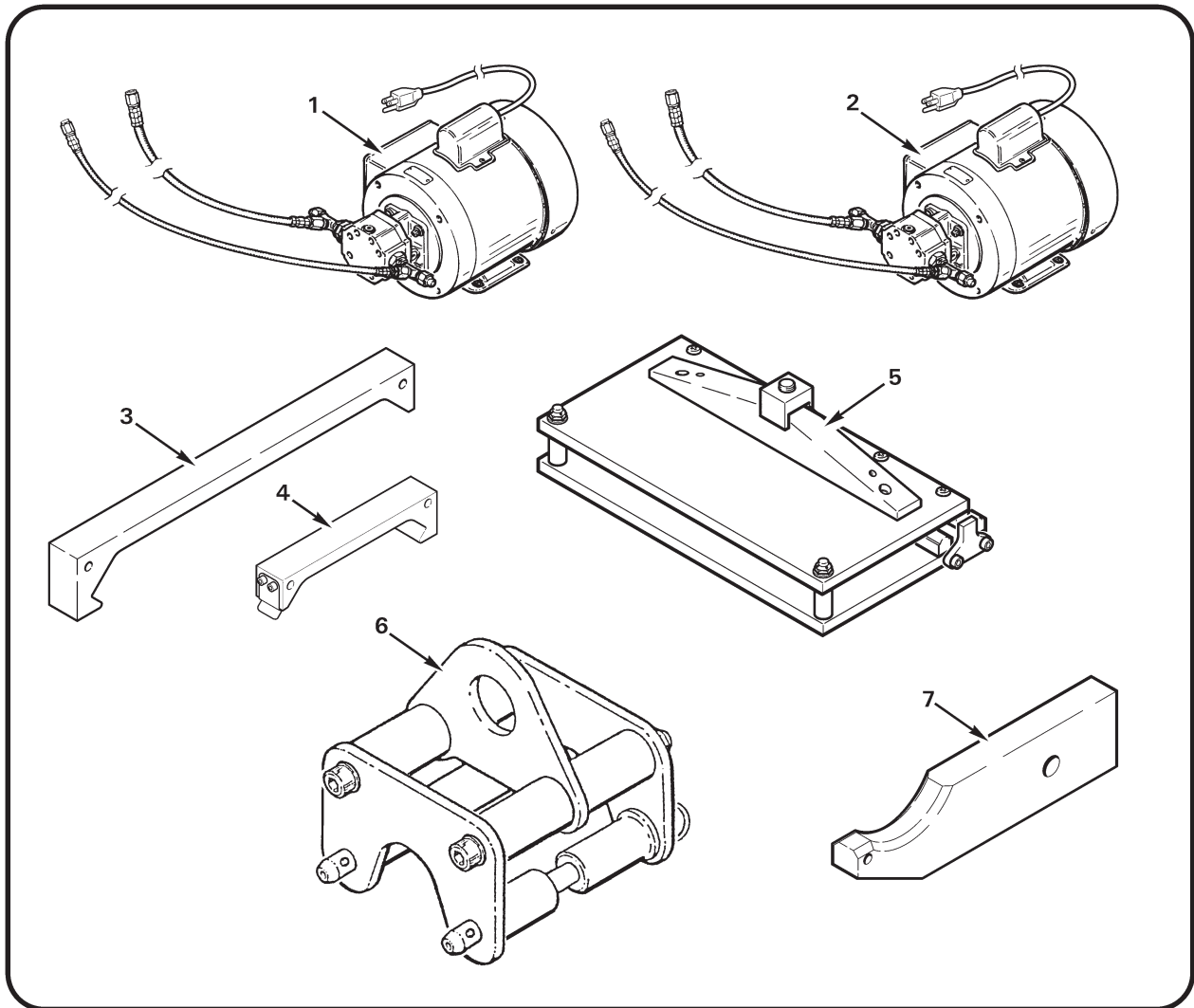


FIGURE 99-3 SPECIAL TOOLS

99-20 Illustrations and Tasks (continued)

Refer to Figure 99-4.

Item	Part Number	Description	Reference
1	MT549-1	Spacer – Spindle Boot (set of 2)	MM § 62-10
2	MT549-2	Plate – Spindle Boot	MM § 62-10
3	MT556-11	Kit Tools – Tail Rotor Hub Bearing Replacement	MM § 64-41
4	MT569-2	Guide Assembly – Drill (main rotor hub nut)	MM § 62-33
5	MT643-1	Support Weldment – Main Rotor Hub Bearing Installation	MM § 62-21
6	MT759-1	Blocks – Cyclic Rigging	MM § 18-41
7	2020HR	ACES Probalancer Analyzer (or equivalent dynamic balancer)	MM § 18-10

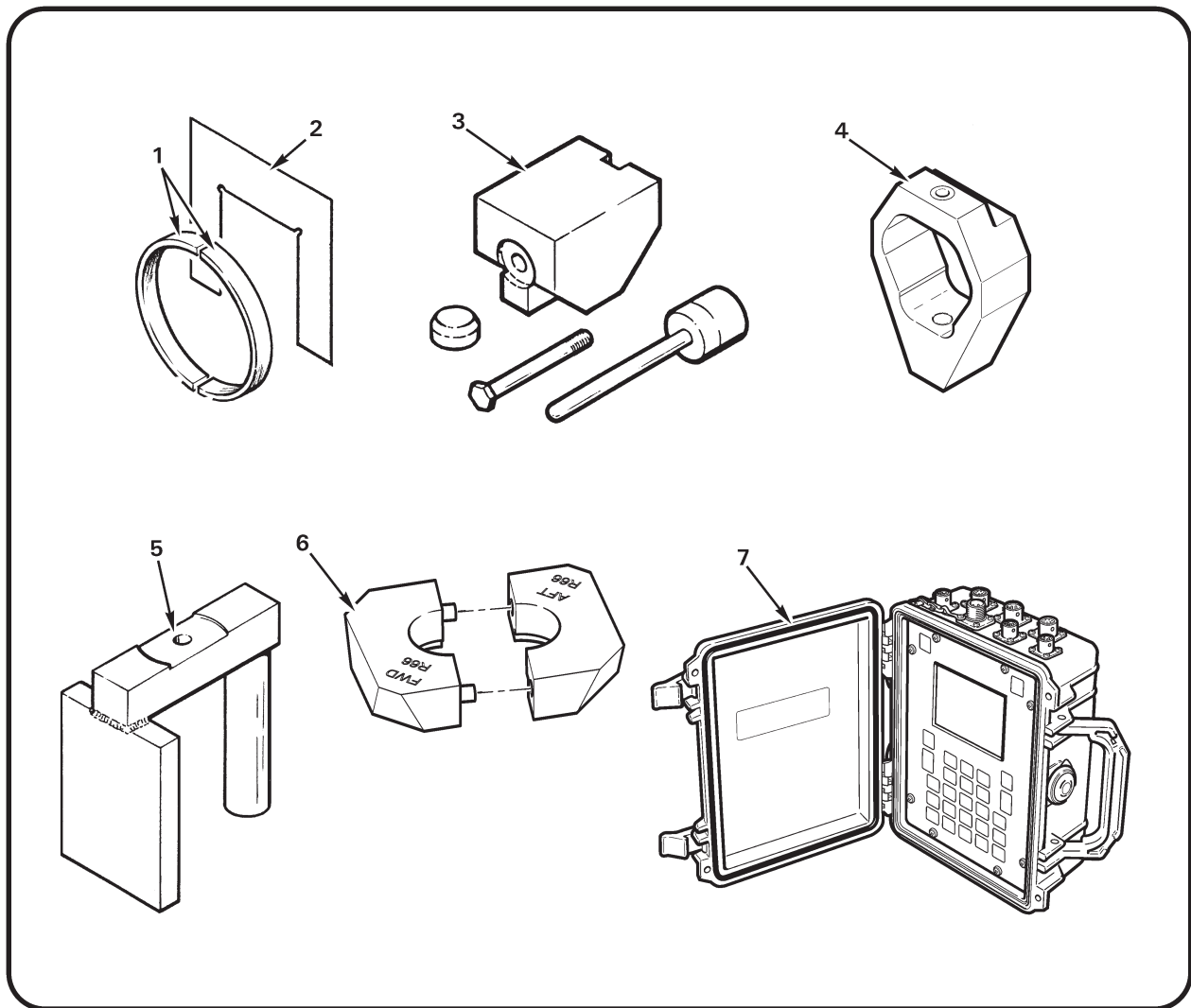


FIGURE 99-4 SPECIAL TOOLS

99-20 Illustrations and Tasks (continued)

Refer to Figure 99-5.

Item	Part Number	Description
1	MT850-1	Engine Stand Assembly (RR300)
2	AN970-4*	Washer – Tap Test Tool
3	MT990-1	Charger Assembly (BatteryMinder – 24 VDC, 120 VAC, 50/60 Hz)
	MT990-2	Charger Assembly (BatteryMinder – 24 VDC, 240 VAC, 50/60 Hz)

* Or 1965 or later U.S. quarter dollar coin in good condition.

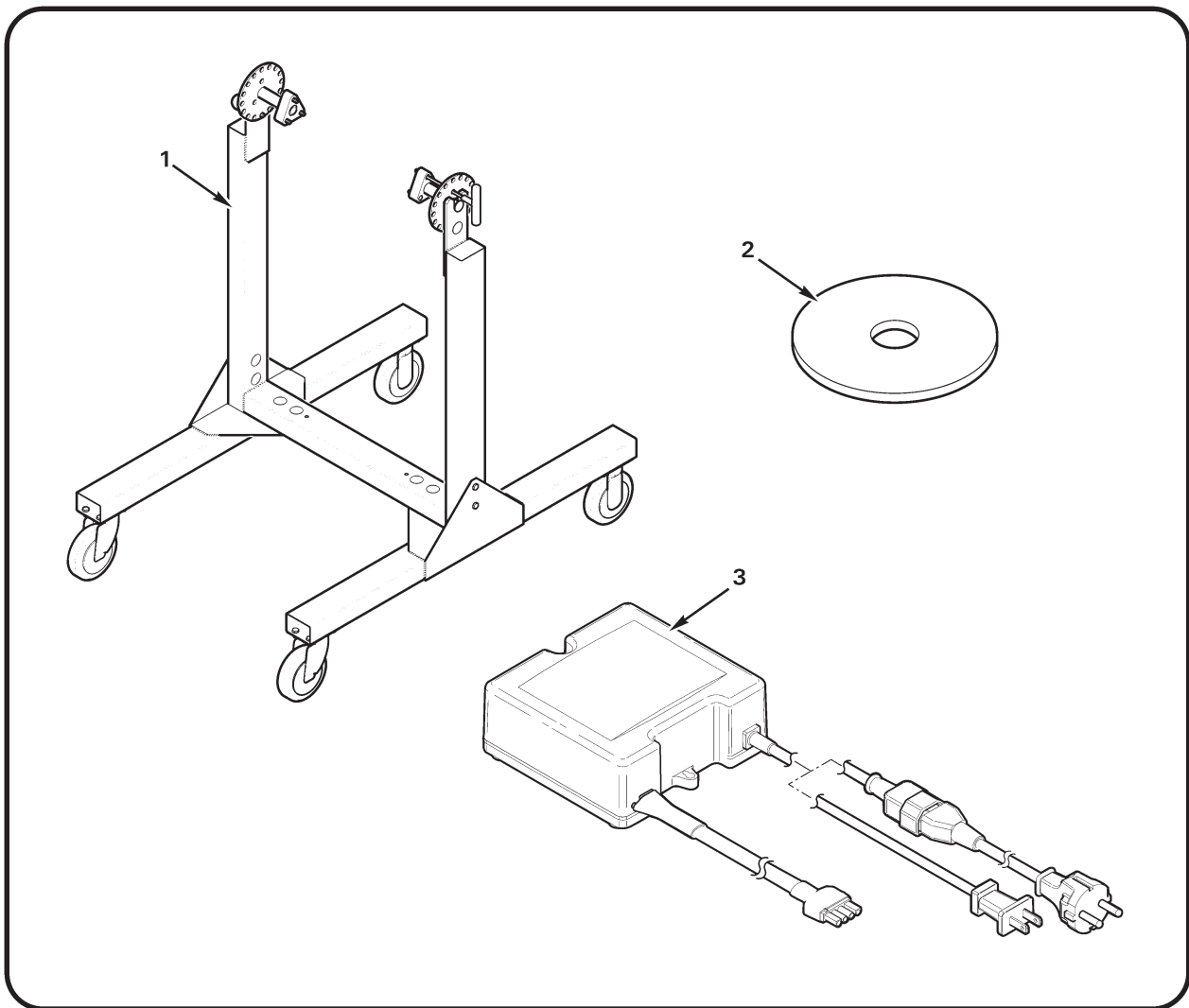


FIGURE 99-5 SPECIAL TOOLS

99-20 Illustrations and Tasks (continued)

Refer to Figure 99-6.

Item	Part Number	Description*
1	R6683	Tow Cart Crate (31 in. x 38 in. x 66.50 in.)
2	R5387	Windshield Box (21.75 in. x 40 in. x 66 in.; cardboard. Holds up to four windshields.)
3	R5352	Main Rotor Blade Crate (21.75 in. x 17 in. x 206.50 in.)
4	R5385	Push-Pull Tube/Tail Rotor Drive Shaft Crate (10.25 in. x 11.50 in. x 192 in.)

* Dimensions are approximate and expressed in inches. Dimensions are provided in height x width x length.

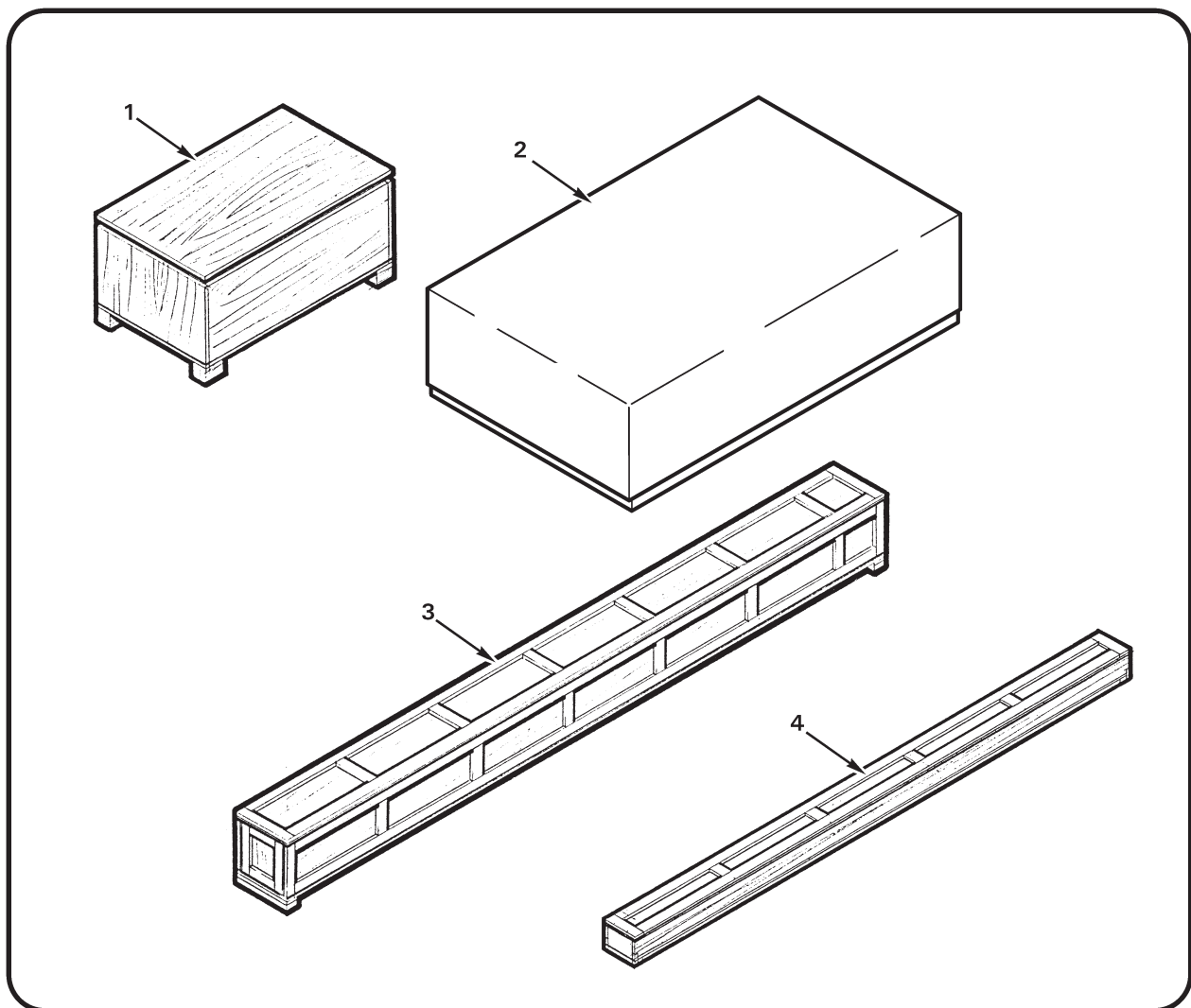


FIGURE 99-6 SHIPPING CRATES

99-20 Illustrations and Tasks (continued)

Refer to Figure 99-7.

Item	Part Number	Description*
1	R5386	Cabin Door Crate (23.75 in. x 34 in. x 60 in.; holds [1] bubble or [2] regular doors)
2	R5388	Tailcone Crate (27.25 in. x 24 in. x 192 in.)
3	R5702	Main Rotor Blade/Tailcone Crate (28 in. x 30 in. x 208 in.)
4	R7982	Main Rotor Gearbox Crate (27 in. x 28.75 in. x 89.50 in.)

* Dimensions are approximate and expressed in inches. Dimensions are provided in height x width x length.

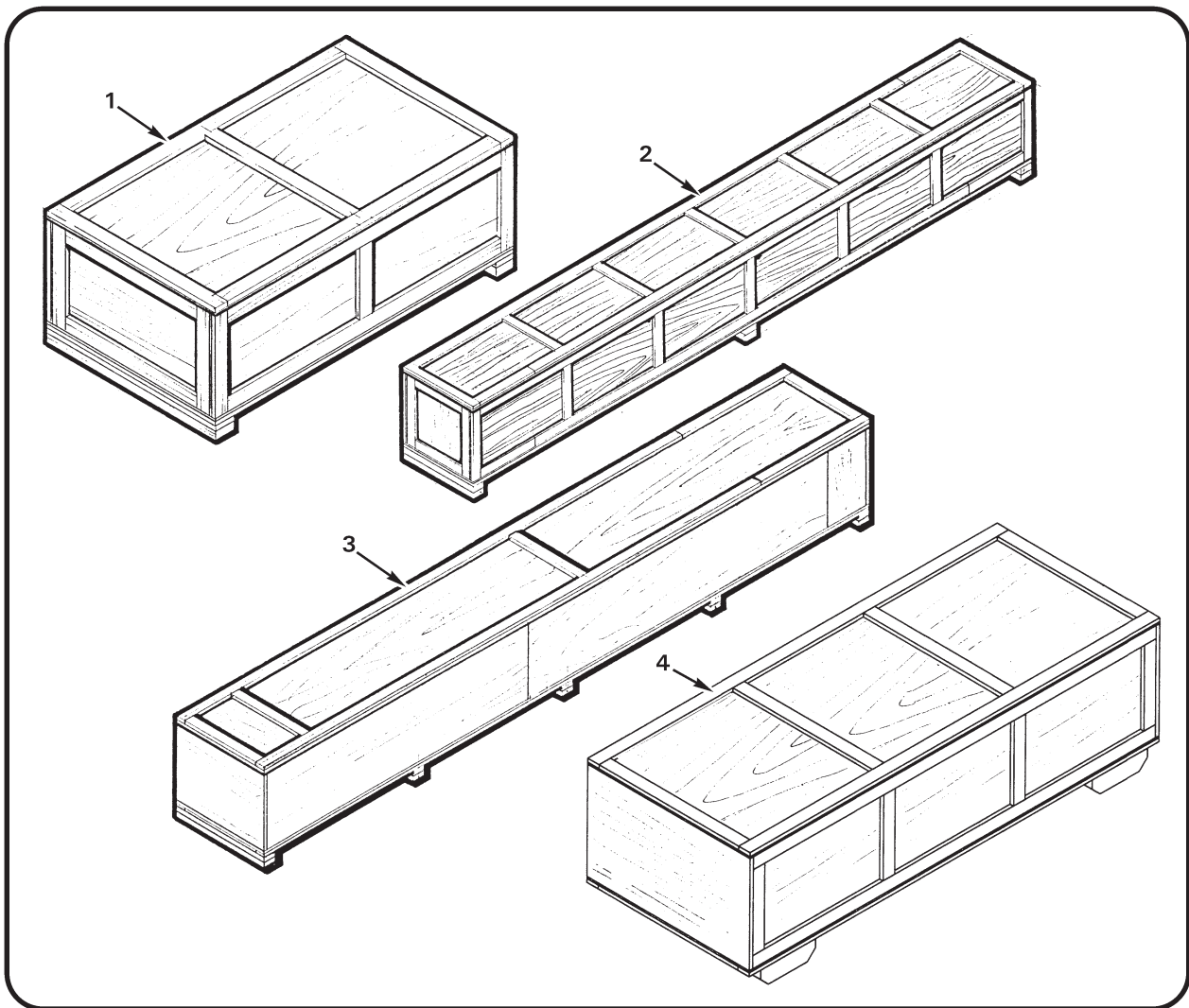


FIGURE 99-7 SHIPPING CRATES