

**R44-series Pop-Out Floats Skid Extension Upgrade Installation Kit Instructions**

*This kit is for first-time replacement of discontinued C945-1 (LH) & C945-2 (RH) Extension Assemblies, which are replaced by C945-13 (LH) & C945-14 (RH) Lightweight Extension Assemblies.*

**NOTE**

Visit [www.robinsonheli.com](http://www.robinsonheli.com) to verify kit instructions are current revision. Review instructions before installation; contact RHC Technical Support with questions. Verify kit contents match list; contact RHC Customer Service if parts are missing or damaged.

ITEM	PART NUMBER	KIT CONTENTS	QTY
1	KI-252-1Instr.	Kit Instructions . . . . .	1
2	A142-1	Screw . . . . .	8
3	C014-31A/32A	Skid Extension, Float–LH . . . . . Includes: [1] B202-1 Plug Assembly [1] C945-13 Extension Assembly, LH [1] C946-2 Cap Assembly [4] NAS9301B-4-02 Rivet	1
4	C014-31B/32B	Skid Extension, Float–RH . . . . . Includes: [1] B202-1 Plug Assembly [1] C945-14 Extension Assembly, RH [1] C946-2 Cap Assembly [4] NAS9301B-4-02 Rivet	1
5	MS27039C1-07	Screw . . . . .	4
6	MS27039C1-08	Screw . . . . .	4

**Consumables**

Refer to R44 Maintenance Manual (MM) § 1.400 for approved materials list.

- A257-9 Anti-seize
- B270-1 Sealant
- Flat Black paint

**Kit Instructions**

1. Hoist helicopter per R44 MM § 1.220.
2. Refer to Figure 1 and R44 Illustrated Parts Catalog (IPC) Figure 32-19. Remove and retain two C944-3, C944-5, and C944-4 float retainer strips from each skid tube and extension.
3. Carefully position detached portion of one pop-out float to access aft strut attachment hardware.

**Kit Instructions (continued)**

**CAUTION**  
Do not kink inflation hose.

4. Remove and discard hardware securing aft skid shoe to skid tube. Retain skid shoe.
5. Place a support under aft end of skid tube. Remove sealant, bolts, and washers securing aft strut assembly to skid tube. Remove skid extension.
6. Clean interior of skid tube. Insert appropriate new C014-31A/32A or C014-31B/32B float skid extension and align fastener holes.
7. Position skid shoe and loosely install (4) A142-1 screws (provided). Install strut attachment hardware. Standard torque bolts per R44 MM § 1.320. Secure A142-1 skid shoe screws.
8. Repeat steps 3 thru 7 on opposite side.
9. Remove skid tube support(s), lower helicopter, and remove lifting fixture (or rope) from main rotor hub.
10. Cover bolt heads of outboard bolts securing struts to skids with B270-1 sealant to prevent chafing float. Touch up paint at mating surfaces of skid extension and skid. Allow sealant and paint to dry.
11. Refer to Figure 1. Align holes in C944 retainer strips, float covers, float girts, and skid extension, installing hardware as required to achieve 1-4 threads exposed beyond nut; replace two aft-most installation hardware with (2) MS27039C1-08 screws and (2) MS27039C1-07 screws per Figure 2. Special torque hardware to 25 in.-lb wet with A257-9 anti-seize (threads only).
12. Tuck in lacing cord ends and secure hook and loop fasteners. Secure hook and loop fasteners at end caps. Verify all fasteners are properly secured.
13. Revise helicopter’s Weight and Balance Record in R44 Pilot’s Operating Handbook (POH) Section 6 to reflect this installation by incorporating the following data:

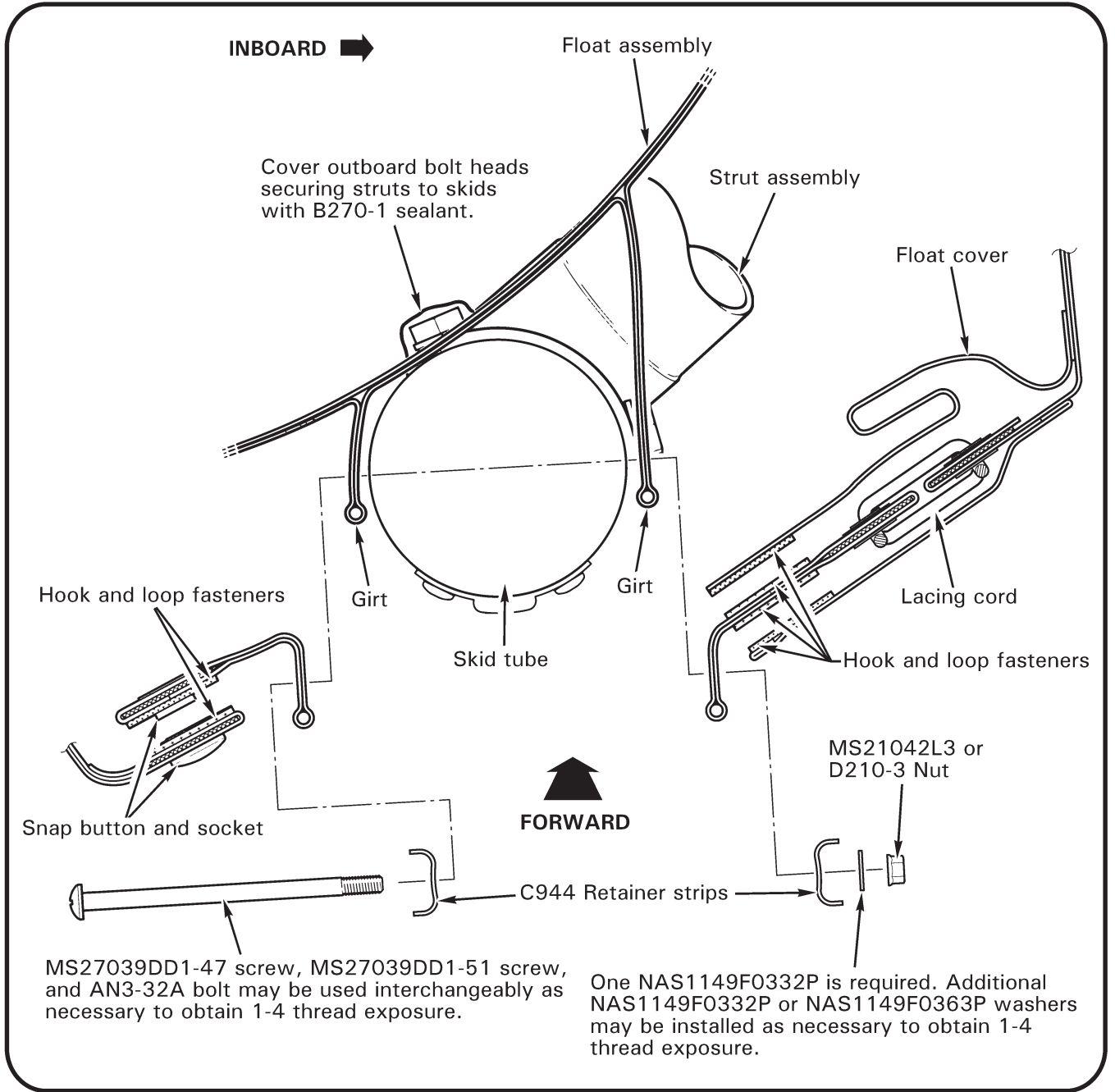
**Remove:**

Item	Weight	Long. Arm	Long. Moment	Lat. Arm	Lat. Moment
C945-1 (LH) & -2 (RH) Skid Ext. Assembly	-8.18 lb	141.8 in.	-1159.9 in.-lb	0 in.	0 in.-lb

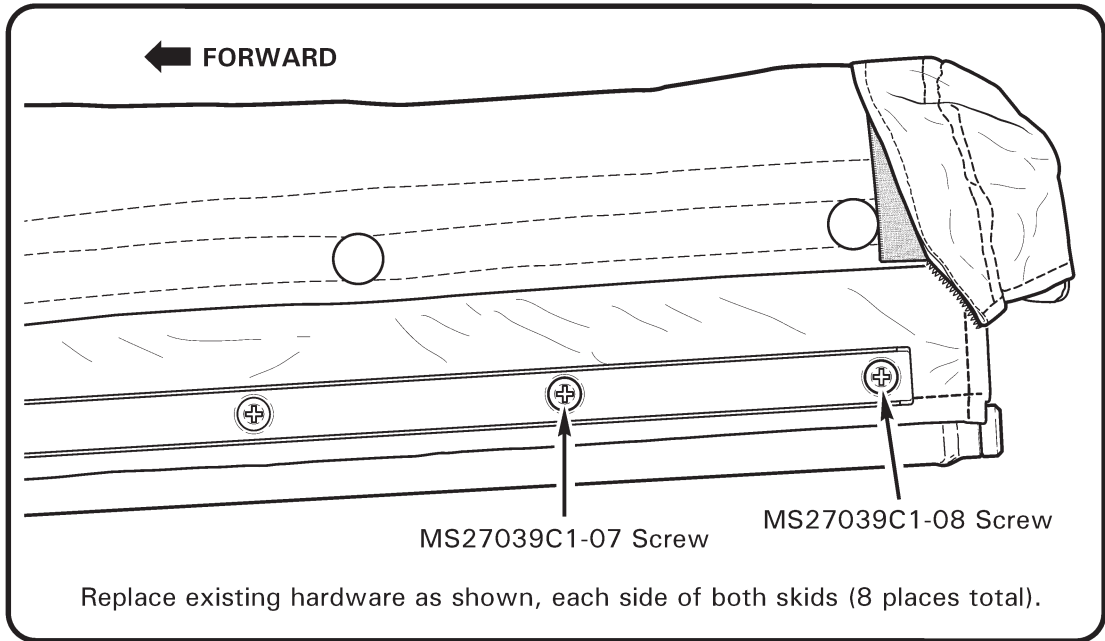
**Install:**

Item	Weight	Long. Arm	Long. Moment	Lat. Arm	Lat. Moment
C014-31A/32A (LH) & -31B/32B (RH) Float Skid Ext. Assembly	+5.64 lb	137.0 in.	772.7 in.-lb	0 in.	0 in.-lb

14. Make appropriate maintenance record entries.



**FIGURE 1**



**FIGURE 2**