

CHAPTER 9
GROUND HANDLING

<i>Figure</i>	<i>Title</i>	<i>Page</i>
9-1	Ground Handling Wheel Assembly	9.0
9-5	Ground Handling Wheel Assembly – Pop-Out Floats	9.4
9-9	Ground Handling Ball Installation	9.8

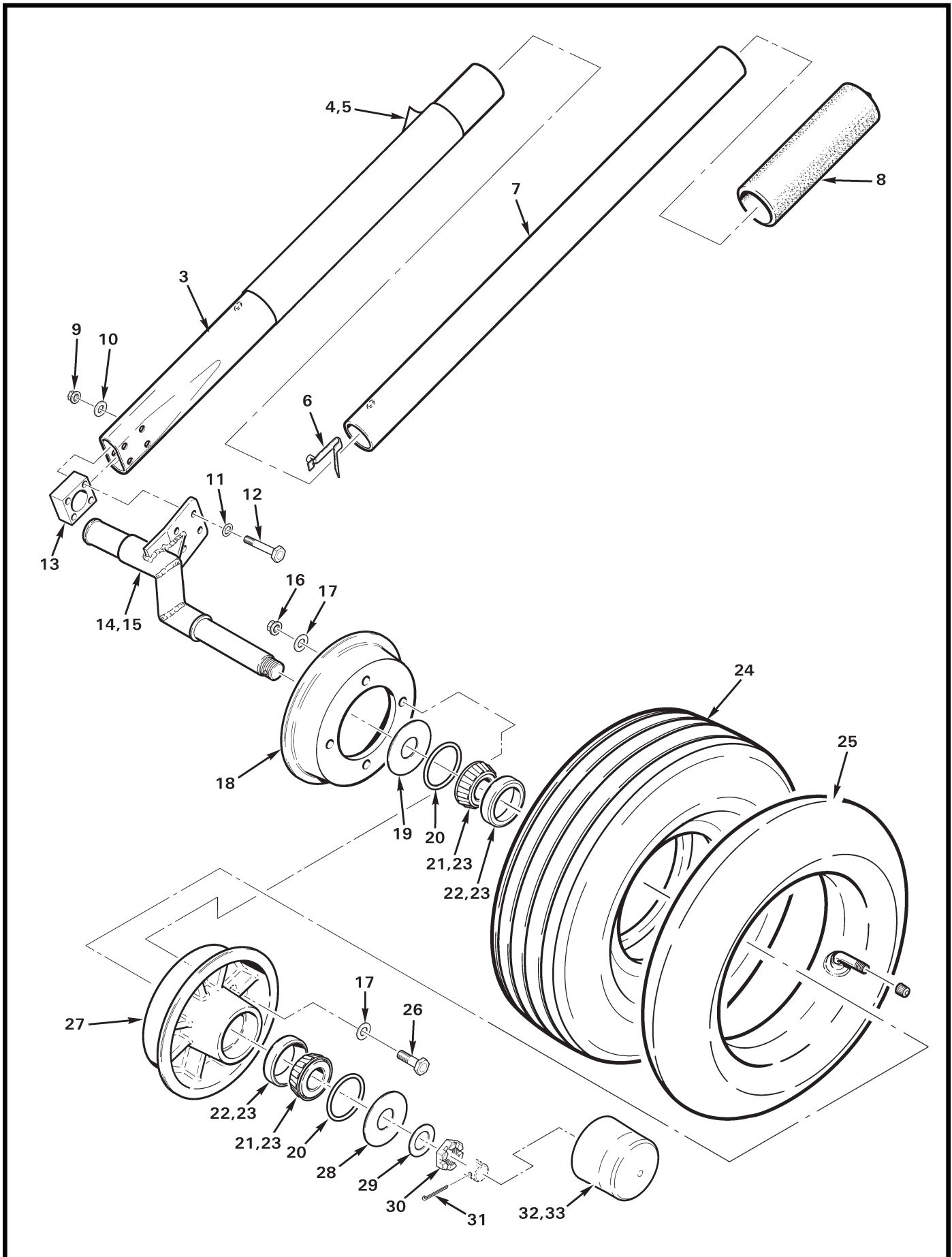


FIGURE AND INDEX NUMBER	PART NUMBER	DESCRIPTION	PARTS AVAIL	QTY PER ASSY
GROUND HANDLING WHEEL ASSEMBLY				
9-1-1	C063-6	Ground Handling Wheel Assembly – RH (Incl items 3, 4, 8, 9 thru 14, and 16 thru 33)	X	1
2	C063-5	Ground Handling Wheel Assembly – LH (Incl items 3, 4, 6, 8, 9 thru 13, and 15 thru 33; not shown)	X	1
3	C718-4	Lever	X	1
4	MT935-16	Decal – “RIGHT, INSTALL FROM INBOARD SIDE / WARNING: GRIP...” (install on C063-6 [RH] ground handling wheel assembly only)	X	1
5	MT935-15	Decal – “LEFT, INSTALL FROM INBOARD SIDE / WARNING: GRIP...” (install on C063-5 [LH] ground handling wheel assembly only)	X	1
6	A795-4	Pin	X	1
7	C718-1	Tube Assembly (Incl items 6 and 8)	X	1
8	A601-5	Grip	X	1
9	MS21042L3	Nut	X	4
10	NAS1149F0363P	Washer	X	4
11	NAS620-10L	Washer	X	4
12	NAS6603-12	Bolt	X	4
13	C915-1	Spacer	X	1
14	C717-14	Shaft Assembly (RH)	X	1
15	C717-13	Shaft Assembly (LH, not shown)	X	1
16	MS21042L4	Nut	X	4
17	NAS1149F0432P	Washer	X	8
18	MT947-2	Rim	X	1
19	MT141-3	Washer	X	1
20	A215-123	O-Ring	X	2
21	C646-9*	Cone (contact RHC Customer Service for replacement)	X	2
22	C646-10*	Cup (contact RHC Customer Service for replacement)	O	2
23	A257-5	Grease	X	A/R
24	MT936-5	Tire	X	1
25	MT936-6	Tube – Inner	X	1
26	NAS6604-6	Bolt	X	4
27	MT947-1	Rim	X	1
28	A214-12	Washer	X	1
29	NAS1149F0832P	Washer (for shimming)	X	A/R
30	AN320-8	Nut	X	1

NOTES * Install using item 23.

Continues

FIGURE AND INDEX NUMBER	PART NUMBER	DESCRIPTION	PARTS AVAIL	QTY PER ASSY
GROUND HANDLING WHEEL ASSEMBLY (Cont'd)				
9-1-31	MS24665-285	Cotter Pin	X	1
32	A959-11	Cap (install using item 33)	X	1
33	B270-15	Adhesive	X	A/R
NOTES				

Intentionally Blank

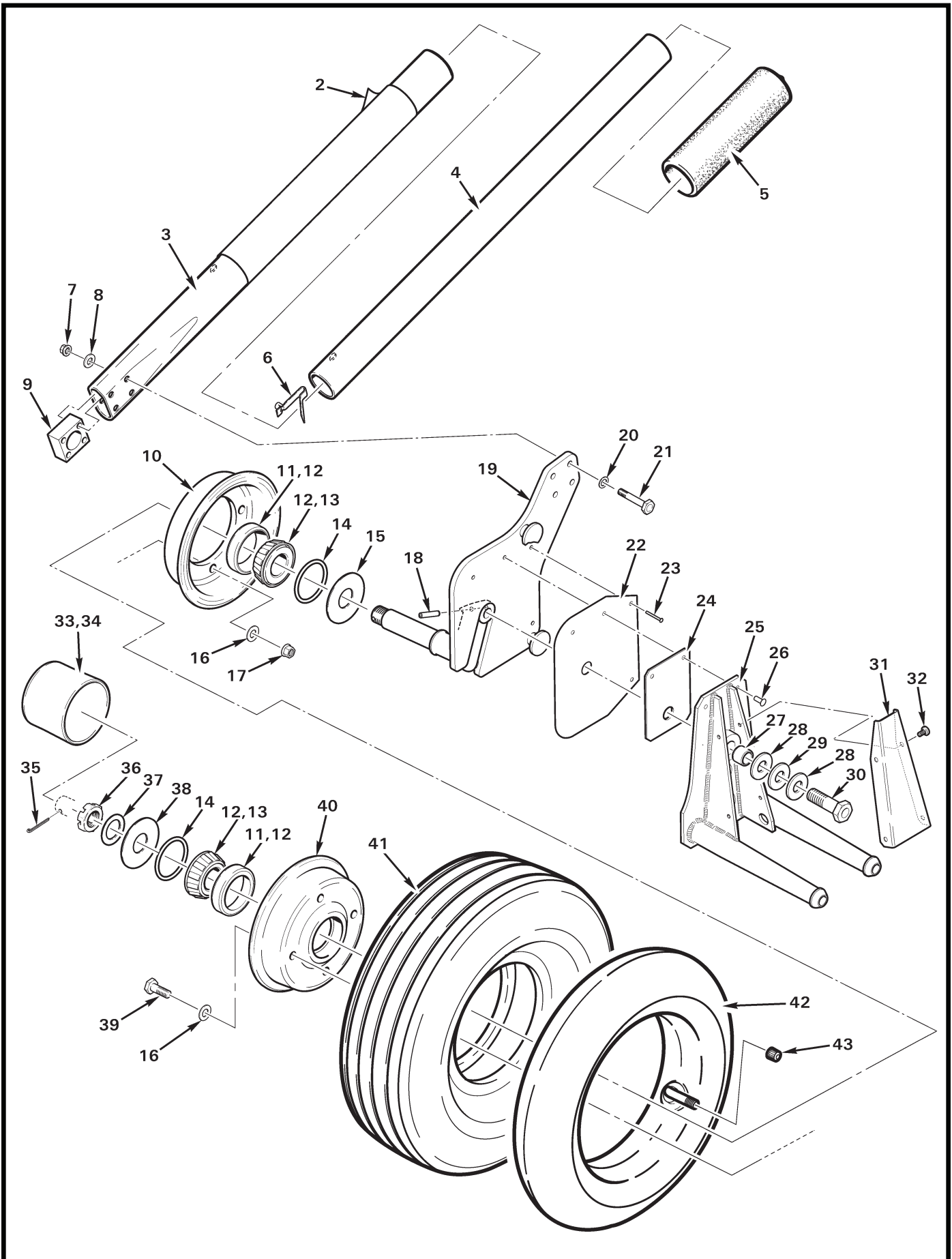


FIGURE AND INDEX NUMBER	PART NUMBER	DESCRIPTION	PARTS AVAIL	QTY PER ASSY
		GROUND HANDLING WHEEL ASSEMBLY – POP-OUT FLOATS		
9-5-1	MT980-1	Ground Handling Wheel Assembly – LH (Incl items 2 thru 4, and 7 thru 42)	X	1
	MT980-2	Ground Handling Wheel Assembly – RH (Incl items 2 thru 4, and 7 thru 42)	X	1
2	MT935-15	Decal (wheel installation instructions, LH)	X	1
	MT935-16	Decal (wheel installation instructions, RH; not shown)	X	1
3	C718-4	Lever	X	1
4	C718-1	Tube Assembly (Incl items 5 and 6)	X	1
5	A601-5	Grip	X	1
6	A795-4	Pin	X	1
7	MS21042L3	Nut	X	4
8	NAS1149F0363P	Washer	X	4
9	C915-1	Spacer	X	1
10	MT947-2	Rim	X	1
11	C646-10*	Cup (contact Customer Service for replacement)	O	2
12	A257-5	Grease	X	A/R
13	C646-9*	Cone (contact Customer Service for replacement)	X	2
14	A215-123	O-Ring	X	2
15	MT141-3	Washer	X	1
16	NAS1149F0432P	Washer	X	8
17	MS21042L4	Nut	X	4
18	MS16562-35	Spring Pin	X	1
19	MT982-13	Shaft Weldment (LH, shown)	X	1
	MT982-14	Shaft Weldment (RH, not shown)	X	1
20	NAS1149F0332P	Washer	X	4
21	NAS6603-13	Bolt	X	4
22	MT982-7	Pad	X	1
23	MS20615-4M	Rivet	X	2
24	MT981-6	Pad	X	1
25	MT981-1	Support Weldment	X	1
26	MS20426AD4	Rivet	X	2
27	O6DU06	Bearing	X	1

NOTES * Install using item 12.

Continues

FIGURE AND INDEX NUMBER	PART NUMBER	DESCRIPTION	PARTS AVAIL	QTY PER ASSY
		GROUND HANDLING WHEEL ASSEMBLY – POP-OUT FLOATS (Cont'd)		
9-5-28	MT141-1	Washer	X	2
29	MT141-2	Washer (teflon-coated, one side)	X	1
30	NAS6606-10	Bolt	X	1
31	MT981-7	Cover	X	1
32	MS35206-226	Screw	X	4
33	A959-11	Cap (install using item 34)	X	1
34	B270-15	Adhesive	X	A/R
35	MS24665-285	Cotter Pin	X	1
36	AN320-8	Nut	X	1
37	NAS1149F0832P	Washer (for shimming)	X	A/R
38	A214-12	Washer	X	1
39	NAS6604-6	Bolt	X	4
40	MT947-1	Rim	X	1
41	MT936-5	Tire	X	1
42	MT936-6	Tube – Inner (Incl item 43)	X	1
43	-	Cap – Valve	O	1

NOTES

Intentionally Blank

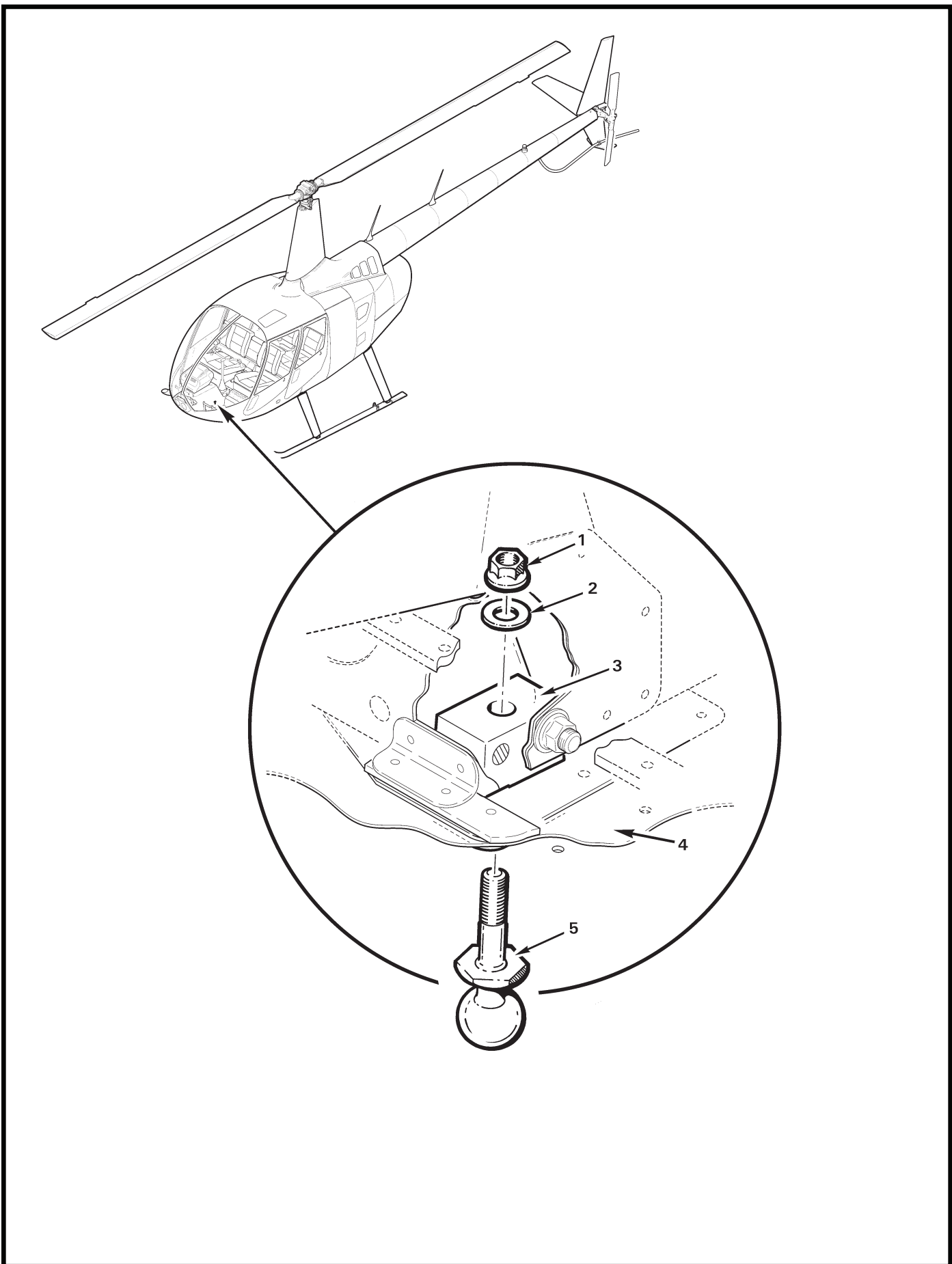


FIGURE AND INDEX NUMBER	PART NUMBER	DESCRIPTION	PARTS AVAIL	QTY PER ASSY
GROUND HANDLING BALL INSTALLATION				
9-9-1	MS21042L5	Nut	X	1
2	NAS1149F0532P	Washer	X	1
3	C700-1	Block (Ref)		
4	F272	Panel – Belly (Ref)		
5	C700-7	Ball	X	1
NOTES				

Intentionally Blank