

R66-series Pop-Out Floats Skid Extension Upgrade Installation Kit Instructions

See R66 Service Letter SL-22.

NOTE

Visit www.robinsonheli.com to verify kit instructions are current revision. Review instructions before installation; contact RHC Technical Support with questions. Verify kit contents match list; contact RHC Customer Service if parts are missing or damaged.

ITEM	PART NUMBER	KIT CONTENTS	QTY
1	KI-252 Instr.	Kit Instructions	1
2	A142-1	Screw	8
3	F014-7A	Skid Extension with damper, LH (includes items 5, 6, 8, 9, 10, 11, 12, 13, 14, 15, and 16)	1
4	F014-7B	Skid Extension with damper, RH (includes items 5, 7, 8, 9, 10, 11, 12, 13, 14, 15, and 16)	1
5	B202-1	Drain Plug Assembly	1
6	C945-13	Extension Assembly, LH	1
7	C945-14	Extension Assembly, RH	1
8	C946-1	Cap Assembly	1
9	C946-5	Spring	1
10	C946-6	Weight	2
11	MS21042L08	Nut	5
12	MS27039C0806	Screw	3
13	NAS1149FN832P	Washer	4
14	NAS1352-08-12P	Screw	2
15	NAS620-8	Washer	3
16	NAS9301B-4-02	Rivet	4
17	MS27039C1-07	Screw	4
18	MS27039C1-08	Screw	4

Consumables

Refer to R66 Maintenance Manual (MM) § 20-70 for approved materials list.

- A257-9 Anti-seize
- B270-1 Sealant
- Flat Black paint

Kit Instructions

1. Hoist helicopter per R66 MM § 7-20.
2. Refer to R66 MM Figure 32-7 and R66 Illustrated Parts Catalog (IPC) Figure 32-11. Remove and retain two C944-3, C944-5, and C944-4 float retainer strips from each skid tube and extension.
3. Carefully position detached portion of one pop-out float to access aft strut attachment hardware.

CAUTION

Do not kink inflation hose.

4. Remove and discard hardware securing aft skid shoe to skid tube. Retain skid shoe.
5. Place a support under aft end of skid tube. Remove sealant, bolts, and washers securing aft strut assembly to skid tube. Remove skid extension.
6. Clean interior of skid tube. Insert appropriate new F014-7A or F014-7B skid extension with damper (see R66 SL-22) and align fastener holes.
7. Position skid shoe and loosely install (4) A142-1 screws (provided). Install strut attachment hardware. Standard torque bolts per R66 MM § 20-32. Secure A142-1 skid shoe screws.
8. Repeat steps 3 thru 7 on opposite side.
9. Remove skid tube support(s), lower helicopter, and remove lifting fixture (or rope) from main rotor hub.
10. Cover bolt heads of outboard bolts securing struts to skids with B270-1 sealant to prevent chafing float. Touch up paint at mating surfaces of skid extension and skid. Allow sealant and paint to dry.
11. Refer to MM Figure 32-7. Align holes in C944 retainer strips, float covers, float girts, and skid extension, installing hardware as required to achieve 1-4 threads exposed beyond nut; replace two aft-most installation hardware with (2) MS27039C1-08 screws and (2) MS27039C1-07 screws per Figure 1. Special torque hardware to 25 in.-lb wet with A257-9 anti-seize (threads only).
12. Tuck in lacing cord ends and secure hook and loop fasteners. Secure hook and loop fasteners at end caps. Verify all fasteners are properly secured.

Kit Instructions (continued)

13. Revise helicopter's Weight and Balance Record in R66 Pilot's Operating Handbook (POH) Section 6 to reflect this installation by incorporating the following data:

Remove:

Item	Weight	Long. Arm	Long. Moment	Lat. Arm	Lat. Moment
C945-1 (LH) & -2 (RH) Skid Ext. Assembly	-8.18 lbs	141.8 inches	-1159.9 in.-lb	0 inch	0 in.-lb

Install:

Item	Weight	Long. Arm	Long. Moment	Lat. Arm	Lat. Moment
F014-7A (LH) & 7B (RH) Skid Ext. with damper	+6.94 lbs	141.5 inches	+982.0 in.-lb	0 inch	0 in.-lb

14. Make appropriate maintenance record entries.

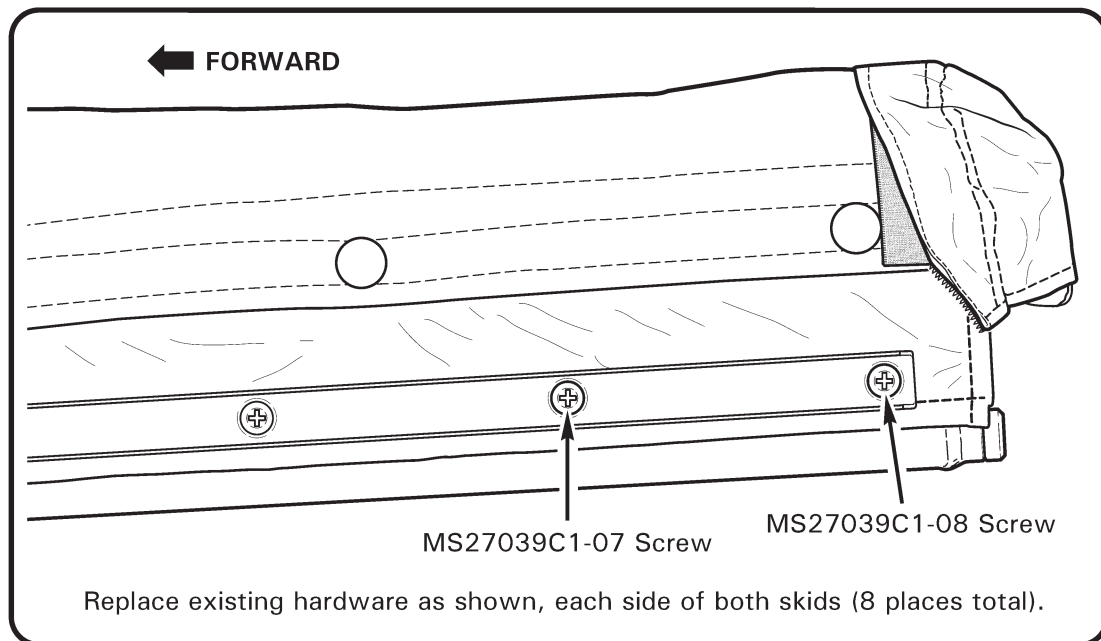


FIGURE 1