

R44-series (28V only) Power Supply/Charger Plug Assembly Installation Kit Instructions
For R44-series (28V) with aft battery (engine compartment) installation only.

NOTE

Visit www.robinsonheli.com to verify kit instructions are current revision. Review instructions before installation; contact RHC Technical Support with questions. Verify kit contents match list; contact RHC Customer Service if parts are missing or damaged.

ITEM	PART NUMBER	KIT CONTENTS	QTY
1	KI-257 Instr.	Kit Instructions	1
2	D035-1	Plug Assembly	1
3	MS3367-5-9+	Ty-rap (Note: "+" in contents part number indicates 20-qty pack)	1

Special Tools

- Multimeter

Kit Instructions

1. Turn BATTERY switch OFF and disconnect battery ground (NEG) cable at battery.
2. Refer to R44 Illustrated Parts Catalog (IPC) Figure 53-1. Remove C377 (LH) cowling assembly.
3. Refer to Figure 1. Position plug assembly on C046 frame as shown. Secure clamps onto frame using supplied hardware.
4. Remove hardware on outboard terminal of B415 relay, leaving cable (to battery) terminal on stud. Route fuse holder [red] wire of plug assembly thru nipple and install on outboard stud of relay. Secure fuse holder wire and cable to stud using removed hardware. Special torque nut to 110 in.-lb. Verify security. Torque stripe per R44 Maintenance Manual (MM) Figure 2-1. Position nipple over stud.
5. Route D035-2984 wire to aft-side of battery. Connect wire and ground cable to (NEG) battery terminal and torque as labeled on battery. Verify security. Torque stripe per MM Figure 2-1.

CAUTION

Damage can occur if wiring is incorrect.

6. Verify proper installation of D035-1 plug assembly using a multimeter with leads inserted in "+" and "-" slots of plug. Battery voltage should be indicated.
7. Secure -2984 wire to (battery relay) cable using MS3367-5-9 ty-raps as required. Cinch ty-raps until snug without overtightening and trim tips flush with heads.

Kit Instructions (continued)

8. Install C377 (LH) cowling assembly.
9. Turn BATTERY switch ON.
10. Revise helicopter's Weight and Balance Record in Pilot's Operating Handbook (POH) Section 6 to reflect this installation by incorporating the following data:

Install:

Item	Weight	Long. Arm	Long. Moment	Lat. Arm	Lat. Moment
Power Supply/Charger Plug Installation	+0.23 lbs	96.19 inches	+22.13 in.-lb	-17.06 inches	-3.92 in.-lb

11. Make appropriate maintenance record entries.

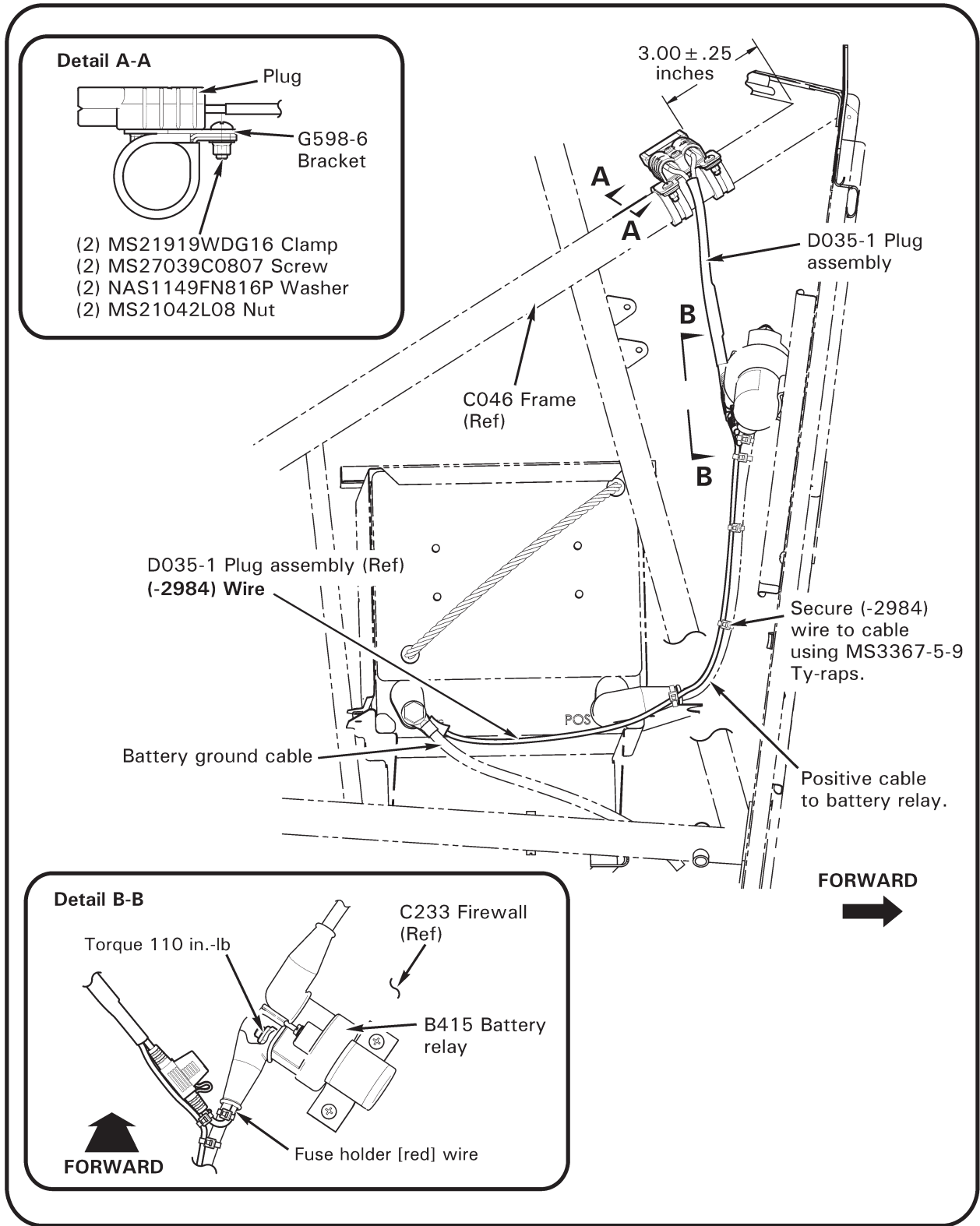


FIGURE 1
(view looking outboard)