

CHAPTER 1**GENERAL**

<u>Section</u>	<u>Title</u>	<u>Page</u>
1-00	Introduction	1.1
1-10	R66 Maintenance Manual Revisions	1.1
1-20	R66 Maintenance Authorization	1.2
1-30	Component Maintenance Authorization	1.2
1-40	Maintenance Record	1.2
1-50	Notations	1.3
1-60	Definitions and Abbreviations	1.3
1-70	Service Information	1.4A
1-71	Part Designation	1.4A
1-72	Returning Parts	1.4A
1-73	Ordering and Shipping	1.4A
1-74	Warranty Claims	1.4A
1-75	Customer Service Directory	1.4A
1-80	Assembly Instructions for R66 Helicopter Crated for Export	1.5

Intentionally Blank

CHAPTER 1

GENERAL

1-00 Introduction

The R66 Maintenance Manual contains instructions necessary for proper maintenance, servicing, and handling of the R66 helicopter. The R66 Instructions for Continued Airworthiness (ICA) includes the R66 Maintenance Manual (MM), R66 Illustrated Parts Catalog (IPC), R66 Pilot's Operating Handbook (POH), R66 Service Bulletins (SB), R66 Service Letters (SL), RR300 Series Operation and Maintenance Manual (OMM), applicable Rolls-Royce technical publications, and applicable component manufacturer technical publications.

Service Bulletins are issued by Robinson Helicopter Company (RHC), Rolls-Royce, and component manufacturers. RHC Service Bulletin compliance is mandatory; comply with other applicable Service Bulletins as directed. RHC technical publications are available online at www.robinsonheli.com. Rolls-Royce technical publications are available online at <https://fast.aeromanager-online.com>.

Kit instructions are issued for field installation of either optional or mandatory (due to Service Bulletin or parts obsolescence) equipment upgrades, or provisions for upgrades. Kit instructions issued by RHC either implement approved type design data, or are approved as type design data.

The R66 Maintenance Manual is formatted in Air Transport Association of America Specification No. 100 (ATA-100). Style, content, and structure deviates from ATA-100 when necessary for clarity, and for logic of presentation. A list of chapters and a complete list of contents is located in the *Introduction*. Chapters are separated by tab dividers and chapter contents are listed in the chapter front pages.

CAUTION

Always read instructions completely before performing a task.

1-10 R66 Maintenance Manual Revisions

Before using the R66 Maintenance Manual, verify it consists of current effective pages. The list of effective pages is located in the Revision Log in Chapter 100. When a new manual is purchased, complete and submit the Subscription Order Form available online at www.robinsonheli.com. Subscribers receive publication revisions for a two-year period. Renew subscriptions annually. The revision status for all RHC technical publications is available online at www.robinsonheli.com.

1-20 R66 Maintenance Authorization

Only appropriately certificated mechanics who have successfully completed an R66 factory-sponsored maintenance course, or are under direct supervision of the above-stated mechanic, are authorized to perform maintenance, repairs, or inspections on the R66 helicopter. Annual inspections of U.S.-registered light helicopters must be performed by holders of an Inspection Authorization (IA) certificate or by repair stations certificated by the Federal Aviation Administration (FAA). The daily preflight and some preventive maintenance may be performed by the above-stated mechanics, or by the pilot/owner after receiving appropriate instruction in accordance with the R66 Pilot's Operating Handbook and applicable aviation regulations.

1-30 Component Maintenance Authorization

Only appropriately certificated mechanics who have successfully completed both a factory-sponsored maintenance course and component maintenance course, and who possess technical data supplied by RHC, are authorized to perform maintenance specified in the Component Maintenance Manual (CMM). Component maintenance may only be performed at an RHC-authorized Service Center that has required special tools.

1-40 Maintenance Record

The Airframe Maintenance Record is available online at www.robinsonheli.com.

Airframe Maintenance Record blank PDF forms may be used for R22-series, R44-series, and R66 Turbine helicopters. Component Record blank PDF forms may be used for life-limited or TBO components. Blank paper copies are available for purchase (P/N R8478 Airframe Maintenance Record and P/N R8479 Component Record [pack of 20]).

A Component Record is a maintenance record of the removals, installations, or maintenance performed on a life-limited or TBO component. When a life-limited or TBO component is installed in the helicopter, the Component Record card is inserted in the Airframe Maintenance Record. When a life-limited or TBO component is removed from the helicopter, remove the Component Record card and keep the card with the Component. Major assemblies may contain one or more life-limited or TBO component.

RHC encourages operators to utilize Component Record cards to assist in tracking time on interchangeable parts since service lives may be different between models.

RHC does not create Component Record cards for spares, however, operators may create their own.

RHC's Repair Station does not require a Component Record card in order to perform work on a component, unlike a Component/Return Authorization form.

RHC recommends using a toner-based laser, or a pigment-based inkjet, color printer and 65 lb white (96 bright) premium card stock for Maintenance Record or Component Record card production. Maintenance Record binders and tab sets are available separately (P/N R8656 Maintenance Record Binder and P/N R8650 Maintenance Record Tabs).

1-50 Notations

The following notations will be found throughout the manual:

<p>NOTE</p> <p>A NOTE provides emphasis or supplementary explanation.</p>
<p>CAUTION</p> <p>Equipment damage can result if a CAUTION is not followed.</p>
<p>WARNING</p> <p>Personal injury or death can result if a WARNING is not followed.</p>

1-60 Definitions and Abbreviations

Refer to R66 Pilot's Operating Handbook (POH) Section 1 for additional definitions and abbreviations.

A. Definitions

- 14 CFR § 27.602 Critical Part: A part identified as a 14 CFR § 27.602 critical part within this manual is subject to special inspection requirements. RHC Technical Support must be notified whenever the part fails to meet the special inspection requirements.
- 12 years: With respect to a 12 year inspection or life-limit, 12 years means 12 years from the date of the factory-issued airworthiness certificate or factory-issued authorized release certificate (FAA Form 8130-3, Airworthiness Approval Tag).
- Annually: With respect to an annual inspection, annually means within the preceding 12 calendar months.
- Datum: An imaginary vertical plane from which all horizontal measurements are taken for balance purposes with the aircraft in level flight attitude. Refer to § 6-20 for R66 datum location.
- Empty Weight: Empty Weight includes the weight of the airframe, powerplant, required and installed equipment, fixed ballast, unusable fuel, and gearbox oil. Refer to R66 Turbine Type Certificate Data Sheet (TCDS) in § 4-30. Refer to Equipment List/Weight and Balance Data Sheet (RF 134) and Weight and Balance Record in R66 POH Section 6 for installed equipment.
- Life-Limited Part: Refer to § 4-10. Any part for which a mandatory replacement limit is specified in the type design, the Instructions for Continued Airworthiness, or the maintenance manual.
- Time in Service: With respect to maintenance time records, time in service means the time from the moment an aircraft leaves the surface of the earth until it touches it at the next point of landing.

1-60 Definitions and Abbreviations (continued)**B. Abbreviations**

14 CFR:	Title 14 of the Code of Federal Regulations. The Federal Aviation Regulations (FARs) are part of the CFR.
AOG:	Aircraft on Ground
ATA-100:	Air Transport Association of America Specification No. 100
BL:	Butt Line Station locations
CRA:	Component Return/Authorization
ELT:	Emergency Locator Transmitter
EMU:	Engine Monitoring Unit
FCU:	Fuel Control Unit
FS:	Fuselage Station locations
GCU:	Generator Control Unit
HID:	High Intensity Discharge
HS:	Horizontal Stabilizer Station locations
LBL:	Left Butt Line Station locations
LED:	Light Emitting Diode
LRU:	Line-Replaceable Unit
MRDS:	Main Rotor Drive Shaft
MRGB:	Main Rotor Gearbox
OEM:	Original Equipment Manufacturer
PTG:	Power Turbine Governor
R66 IPC:	R66 Illustrated Parts Catalog
R66 MM:	R66 Maintenance Manual
R66 POH:	R66 Pilot's Operating Handbook
RHC:	Robinson Helicopter Company
RR300 Series OMM:	Rolls-Royce RR300 Series Operation and Maintenance Manual
RS:	Rotor Station locations
SB:	Service Bulletin
SL:	Service Letter
TBO:	Time Between Overhaul
TCDS:	Type Certificate Data Sheet
TRDS:	Tail Rotor Drive Shaft
TRGB:	Tail Rotor Gearbox
TS:	Tailcone Station locations
TSN:	Time Since New
TSO:	Time Since Overhaul
WL:	Water Line Station locations

1-70 Service Information

1-71 Part Designation

Robinson parts are designated with a part number prefix "A", "B", "C", etc., followed by three digits and a dash number.

A revision letter or letters follow(s) the stamped or ink-marked part number. Revision progression is A thru Z, followed by AA thru AZ, followed by BA thru BZ, etc. Unless otherwise specified, any revision of the same part number is interchangeable, such as "A101-1 A" and "A101-1 D".

1-72 Returning Parts

All parts shipped to RHC must include a signed Component Return/Authorization (CRA) Form available online at www.robinsonheli.com.

1-73 Ordering and Shipping

Procure parts from any R66 Dealer or Service Center, or order directly from assigned [RHC Customer Service Representative](#) via email, fax, or phone.

1-74 Warranty Claims

Complete CRA Form (refer to § 1-72) and, in the Warranty Claim section, indicate if rotorcraft or component is under warranty. If claim is for parts or for labor allowance due to a Service Bulletin issued against rotorcraft or component, write in "per SB-XX" adjacent to requested warranty action.

1-75 Customer Service Directory

Please visit www.robinsonheli.com for a complete service directory.

Intentionally Blank

1-80 Assembly Instructions for R66 Helicopter Crated for Export**NOTE**

Aircraft assembly to be performed by a certificated mechanic.

1. Remove top of cabin assembly crate. Remove wall marked "A" by removing lag bolts painted black. Remove empennage assembly. Remove remaining walls. Remove all parts, except cabin assembly, from crate base. Open crate containing blades, skid tubes, and tailcone.
2. Refer to R66 Illustrated Parts Catalog (IPC) Figure 32-1. Install hardware securing forward and aft strut assemblies (cross tubes installed) onto skid tubes. Standard torque bolts per Section 20-32 and torque stripe per Figure 5-1.
3. Remove tailcone cowling per Section 53-23. Remove engine cowling per Section 53-21.
4. Remove shipping supports (ty-raps, foam, tape, etc.) from main rotor gearbox compartment, but leave cannon plugs taped and fluid line dust caps installed. Remove engine air intake cover by opening air filter bypass door and pulling string and cover through the door. Remove main rotor gearbox mounting hardware, nylon spacers, and upper frame strut assemblies.
5. Remove top of main rotor gearbox crate and position crate so gearbox is upright. Refer to Section 7-20. Install hoisting equipment and lifting fixture or nylon rope on main rotor hub. Remove hoist slack to support gearbox, remove lag bolts securing gearbox to wooden divider, and carefully hoist gearbox from crate (do not damage pitot tube).
6. Install main rotor gearbox per Section 63-20 steps 1 thru 9, but do not remove hoisting equipment and lifting fixture or nylon rope.
7. Perform (engine driveline) forward flex plate shimming per Section 63-11.
8. Refer to Section 7-20. Remove hoist slack to support cabin assembly, remove lag and carriage bolts securing metal angles to crate, and hoist cabin & attached metal angles off of crate base.

CAUTION

Do not lift helicopter and attached crate using main rotor hub; damage to main rotor gearbox and frames could result.

9. Remove metal angles from cabin assembly landing gear attach points. Install landing gear assembly per Section 32-10.

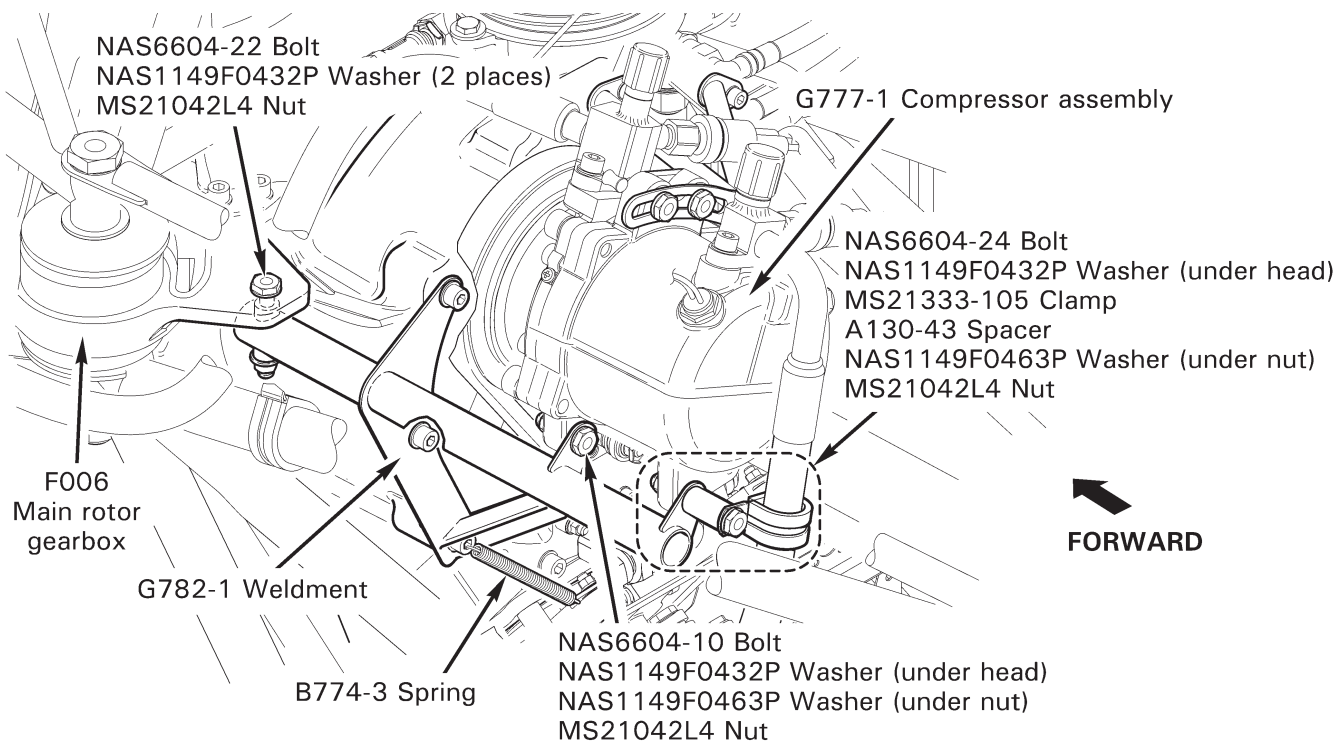


FIGURE 1-1 ASSEMBLY INSTRUCTIONS FOR R66 HELICOPTER CRATED FOR EXPORT

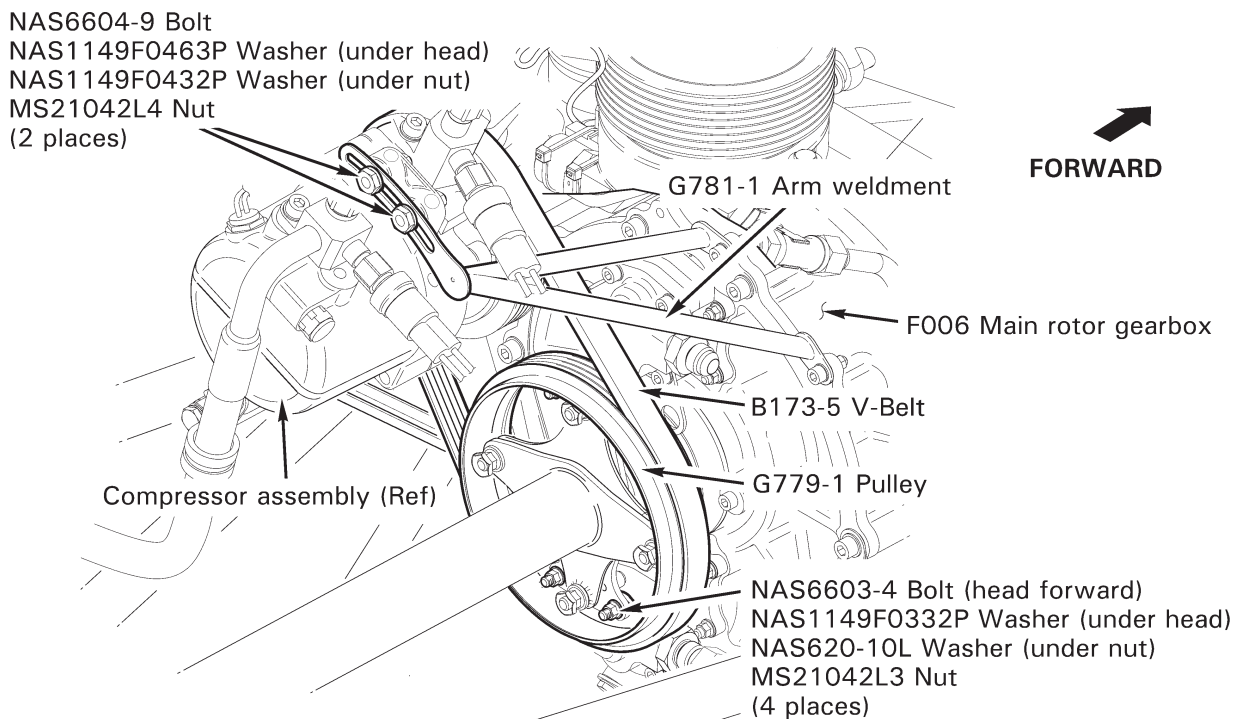


FIGURE 1-2 ASSEMBLY INSTRUCTIONS FOR R66 HELICOPTER CRATED FOR EXPORT

1-80 Assembly Instructions for R66 Helicopter Crated for Export (continued)

10. For air-conditioned ships:

- a. Refer to Figure 1-1. Remove shipping supports (ty-raps, foam, tape, etc.) from G777-1 compressor assembly. Install hardware securing G782-1 mount weldment to main rotor gearbox. Standard torque hardware per § 20-32 and torque stripe per Figure 5-1. Hook B774-3 spring in drilled hole of NAS1352-4H14 screw. Verify security.
 - b. Refer to Figures 1-1 and 1-2. Verify B173-5 v-belt is in good condition. Fit belt around G779-1 pulley and compressor pulley, and install hardware securing compressor to G782-1 mount weldment. Standard torque bolts per § 20-32.
 - c. Refer to Figure 1-2. Install hardware securing compressor to G781-1 arm weldment. Rotate compressor up and outboard to tension belt, then tighten hardware securing compressor to weldment. Verify belt is properly aligned on both pulleys. Adjust belt tension until 4.5-5.5 lb of force applied mid-span deflects belt 0.16-inch. Standard torque bolts per § 20-32.
 - d. Connect compressor assembly wiring to airframe harness at connectors and install ty-raps as required. Cinch ty-raps until snug without over-tightening, and trim tips flush with heads.
11. Refer to IPC Figure 79-1. Remove F237-1 tailcone frame weldment and F305-5 (aft) inlet. Install tail rotor drive fan shaft (fanwheel installed) through scroll assembly. Install hardware securing aft inlet to scroll assembly. Verify security.
12. Refer to IPC Figure 65-1. Install hardware securing C947-3 plate assembly to F908-1 yoke and tail rotor drive fan shaft. Standard torque bolts and palnuts per § 20-32 and torque stripe per Figure 5-1.
13. Remove shipping supports (ty-raps, foam, tape, etc.) from tailcone assembly, and install tailcone per Section 53-40 steps 1 thru 7. Install strobe light. Install communication and GPS antennas (if equipped).
14. Install empennage assembly per § 53-50. Install aux stabilizer assembly per § 53-52.
15. Service tail rotor gearbox per § 12-21. Service main rotor gearbox per § 12-11.
16. Remove hydraulic reservoir shipping plug. Install D487-3 vent assembly, special torque vent to 100 in.-lb, and torque stripe per § Figure 5-1 (do not safety wire).
17. Install tail rotor assembly per § 64-10. Match color-coded markings on blades with pitch links.
18. Install main rotor blades per § 62-10. Match color-coded markings on blades with markings on hub and pitch links.
19. Inside engine compartment, remove anti-ice valve cap, starter-generator cap, inducer bleed hose cover, exhaust pipe cover and desiccant, and combustion case drain valve cap. Connect inducer bleed hose to box assembly and tighten clamp. Verify security.

1-80 Assembly Instructions for R66 Helicopter Crated for Export (continued)

20. If ship is equipped with attitude horizon, directional gyro, turn coordinator, and/or vertical card magnetic compass:

A. Attitude Horizon, Directional Gyro, and Turn Coordinator Installation**CAUTION**

Directional gyro mount screws must not exceed 1-inch in length.

1. Place a piece of foam under instrument face. Remove (6) screws securing face to console and gently pull face forward. Remove hardware securing instrument hole covers to face and remove covers. Install instruments and secure to face with hardware provided.
2. Connect straight connector(s) to directional gyro and/or turn coordinator. Connect angle connector to attitude horizon, ensuring strain relief points down. Ensure connectors lock. Ty-rap excess wiring. Install screws securing instrument face to console.

B. Vertical Card Magnetic Compass Installation

1. Locate airframe wiring (in windshield center bow), install 2-inch length of B158-3 heat shrink over wiring, and connect compass pins to airframe sockets (polarity is not critical). Slide heat shrink over connection and apply heat. Install (4) screws securing compass to mount, securing wiring atop compass.

21. Connect battery per § 96-10.

NOTE

Check battery open circuit voltage and perform boost charging or capacity tests as required per Concorde Battery Instructions for Continued Airworthiness.

22. Perform pitot-static leak check per § 95-10.
23. Install Emergency Locator Transmitter (ELT) per § 25-61, as required. Install tailcone cowling assembly per § 53-23.
24. Install fire extinguisher per § 25-62, as required.
25. Fuel helicopter per § 12-41.
26. Verify all shipping supports (ty-raps, foam, tape etc.) have been removed from helicopter. Refer to § 6-70. Secure access panels and inspection doors.

NOTE

Flight checks to be performed by a qualified pilot and certificated mechanic.

27. Perform ground check per § 5-41 steps 2 thru 9.

1-80 Assembly Instructions for R66 Helicopter Crated for Export (continued)

28. Depreserve the engine after storage per RR300 Series Operation and Maintenance Manual (OMM). Install starter-generator cooling hose. Install engine cowling per § 53-21.
29. Install tail rotor dynamic balance equipment per § 18-21.
30. Perform run-up per § 5-42 steps 2 thru 16.
31. Perform tail rotor dynamic balance per § 18-20.
32. Remove tail rotor dynamic balance equipment. Install main rotor balance equipment per § 18-11.

CAUTION

Mast fairing, cowlings, and panels must be installed for flight.
--

33. Perform hover checks per § 5-43 step 1. DO NOT proceed into forward flight.
34. Track and balance main rotor per § 18-12.
35. While climbing at maximum continuous torque, 60 KIAS:
 - a. Evaluate vibration level and controllability.
 - b. Perform momentary 30° left yaw to check for adequate directional control.
36. Level flight at 2000 feet density altitude (deviate as required for weather and terrain), maximum continuous torque:
 - a. Evaluate longitudinal and lateral cyclic control forces.
 - b. Evaluate collective control forces.
37. Evaluate vibration level at maximum continuous torque and straight-and-level flight.
38. During autorotation at 50 KIAS and 90% rotor RPM, perform momentary 30° right yaw to check for adequate directional control.
39. Check all instruments, gages, and avionics for proper operation.

Intentionally Blank