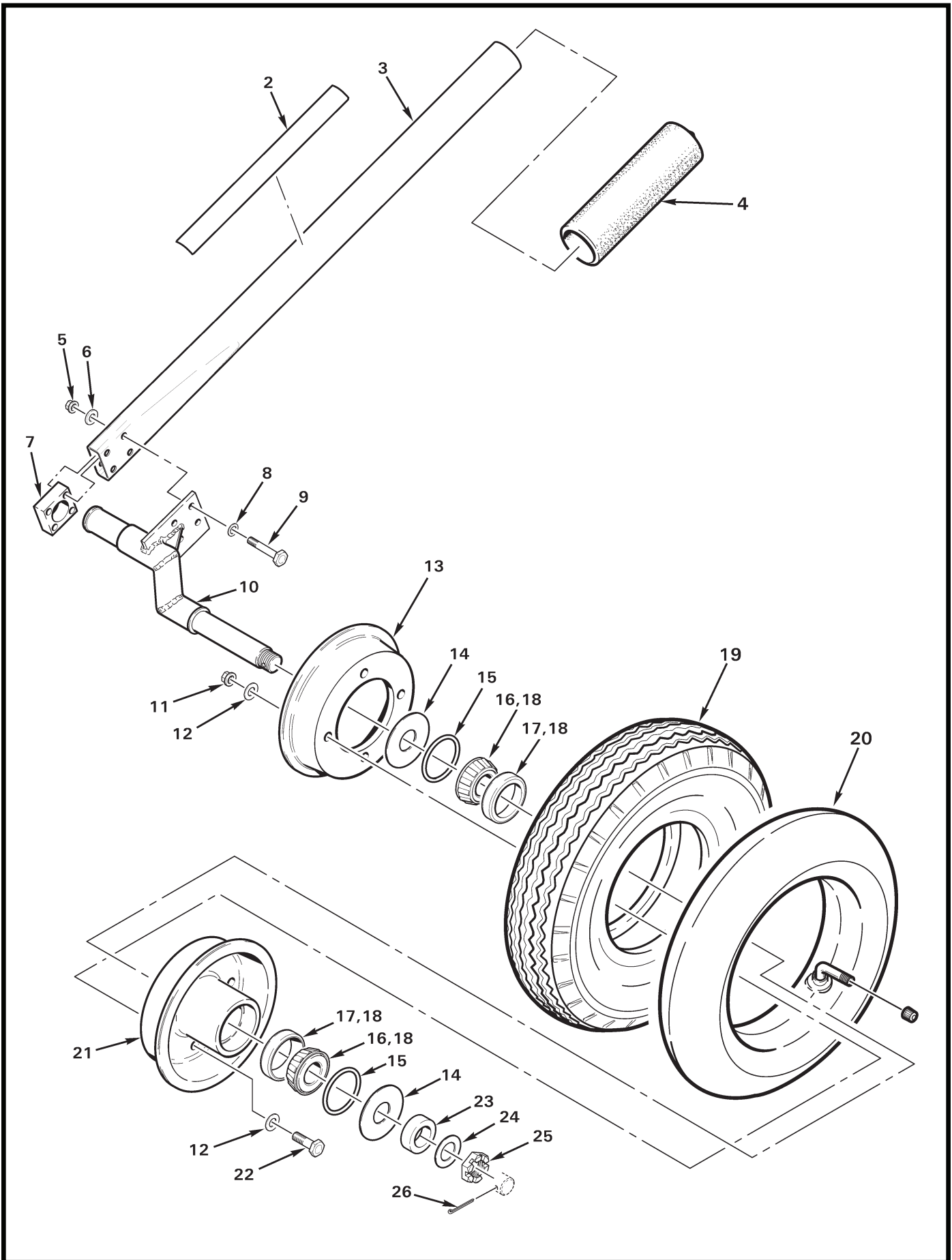


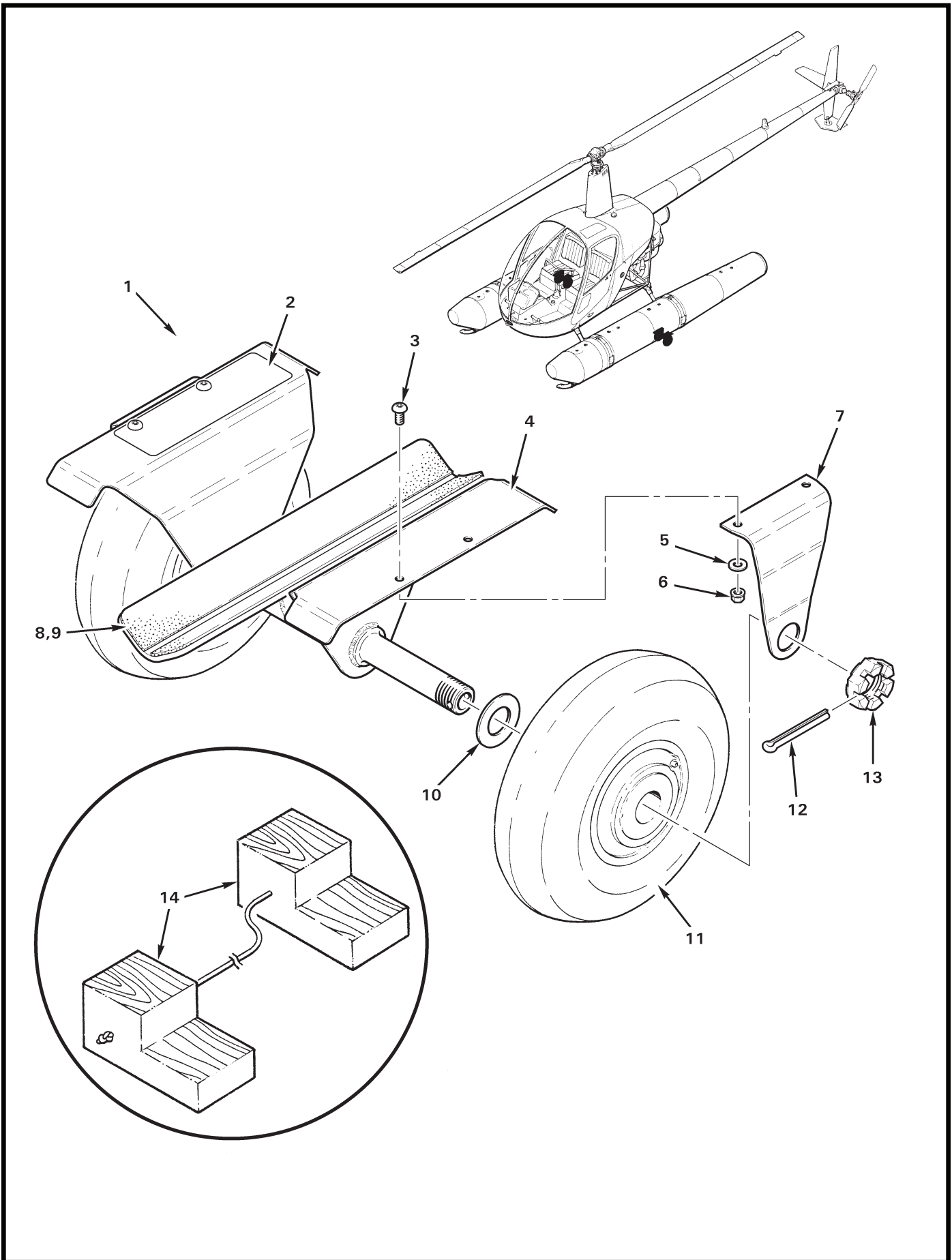
CHAPTER 9
GROUND HANDLING

| <i>Figure</i> | <i>Title</i> | <i>Page</i> |
|---------------|---|-------------|
| 9-1 | Ground Handling Wheel Assembly | 9.0 |
| 9-3 | Ground Handling Wheel Assembly – Fixed Floats | 9.2 |
| 9-5 | Ground Handling Ball Installation | 9.4 |



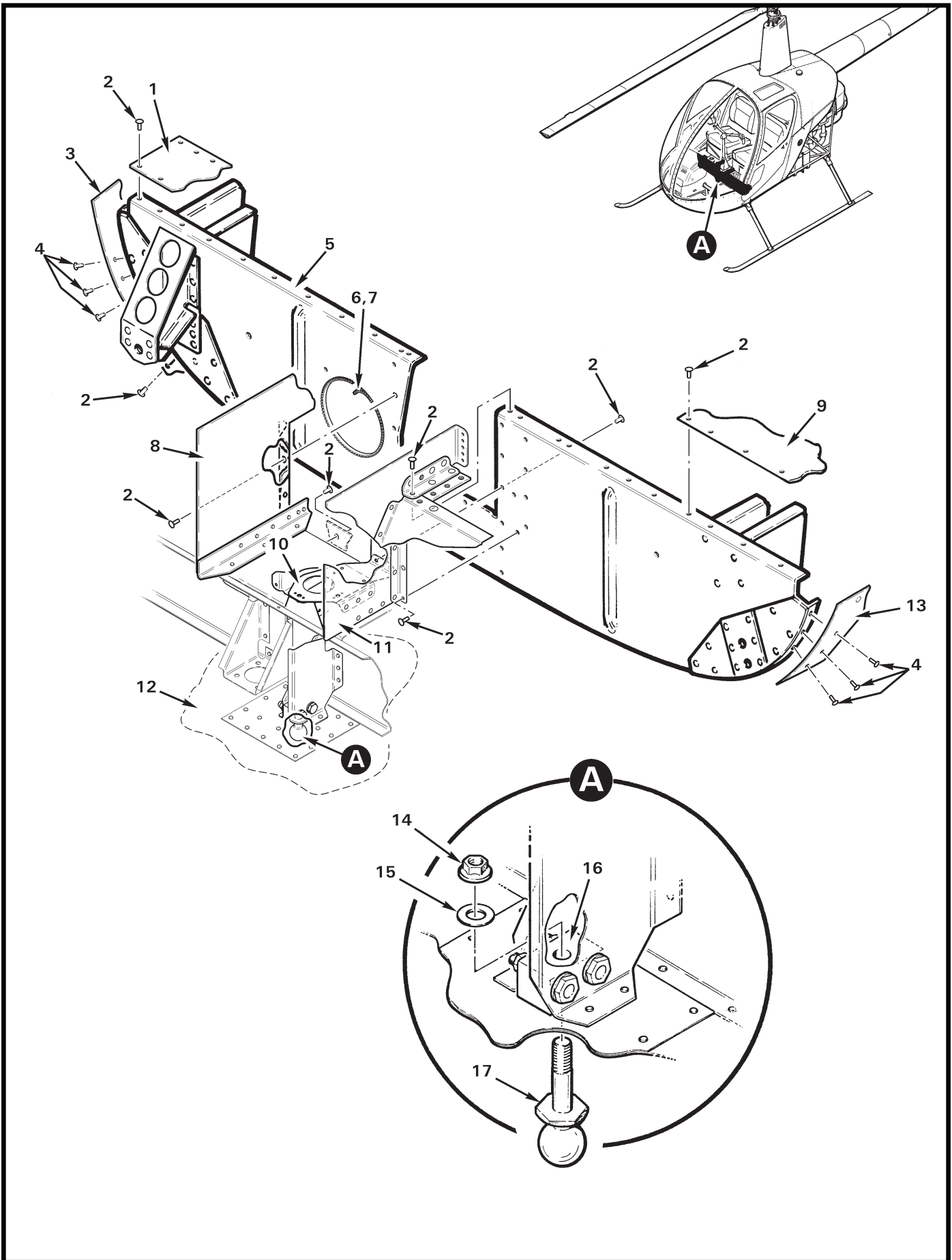
| FIGURE AND INDEX NUMBER | PART NUMBER | DESCRIPTION | PARTS AVAIL | QTY PER ASSY |
|---------------------------------------|---------------|--|-------------|--------------|
| GROUND HANDLING WHEEL ASSEMBLY | | | | |
| 9-1-1 | A063-1 | Ground Handling Wheel Assembly (Incl items 3, and 5 thru 26) | X | 1 |
| 2 | A654-81 | Decal (wheel installation instructions) | X | 1 |
| 3 | A718-2 | Lever Assembly (Incl items 2 and 4) | X | 1 |
| 4 | A601-5 | Grip | X | 1 |
| 5 | MS21042L3 | Nut | X | 4 |
| 6 | NAS1149F0363P | Washer | X | 4 |
| 7 | A915-2 | Spacer Block | X | 1 |
| 8 | NAS620-10L | Washer | X | 4 |
| 9 | NAS6603-9 | Bolt | X | 4 |
| 10 | A717-10 | Shaft Assembly | X | 1 |
| | A717-9 | Shaft Assembly (Ref; no longer available, not shown) | O | 1 |
| 11 | MS21042L4 | Nut | X | 4 |
| 12 | NAS1149F0432P | Washer | X | 4 |
| 13 | MT947-2* | Rim | X | 4 |
| 14 | A214-12 | Washer (use [1] on nut side with A717-10 assembly) | X | A/R |
| | MT141-3 | Washer (use [2] with A717-9 assembly, [1] with A717-10 assembly on lever side) | X | A/R |
| 15 | A215-123 | O-Ring | X | 2 |
| 16 | C646-9** | Cone | X | 2 |
| 17 | C646-10** | Cup (contact RHC Customer Service for replacement) | O | 2 |
| 18 | A257-5 | Grease | X | A/R |
| 19 | MT936-7 | Tire | X | 1 |
| 20 | MT936-8 | Tube – Inner | X | 1 |
| 21 | MT947-1* | Rim | X | 1 |
| 22 | NAS6604-6 | Bolt | X | 4 |
| 23 | MT920-15 | Spacer (used only with A717-9 shaft assembly) | X | A/R |
| 24 | NAS1149F0832P | Washer (shim) | X | A/R |
| 25 | AN320-8 | Nut | X | 1 |
| 26 | MS24665-285 | Cotter Pin | X | 1 |

NOTES * Rim assembly will fit earlier shaft assembly.
 ** Install using item 18.



| FIGURE AND INDEX NUMBER | PART NUMBER | DESCRIPTION | PARTS AVAIL | QTY PER ASSY |
|--|---------------|---|-------------|--------------|
| GROUND HANDLING WHEEL ASSEMBLY – FIXED FLOATS | | | | |
| 9-3-1 | B132-1 * | Float Ground Handling Wheel Assembly (Incl items 2 thru 13) . . | X | 1 |
| 2 | MT935-11 | Decal (wheel installation instructions) | X | 1 |
| 3 | A142-2 | Screw | X | 4 |
| 4 | B131-1 | Frame Weldment | O | 1 |
| 5 | NAS1149FN816P | Washer | X | 4 |
| 6 | MS21042L08 | Nut | X | 4 |
| 7 | B294-2 | Support | X | 1 |
| 8 | B132-3 | Strip (install using item 9) | X | 2 |
| 9 | B270-7 | Adhesive (substitute B270-8qt) | O | A/R |
| 10 | NAS1149F1032P | Washer | X | 2 |
| 11 | B132-2 | Wheel | X | 2 |
| 12 | MS24665-355 | Cotter Pin | X | 2 |
| 13 | AN320-10 | Nut | X | 2 |
| 14 | B133-1 * | Block Assembly | X | 1 |

NOTES * Usable on Mariner.



| FIGURE AND INDEX NUMBER | PART NUMBER | DESCRIPTION | PARTS AVAIL | QTY PER ASSY |
|--|---------------|--|-------------|--------------|
| GROUND HANDLING BALL INSTALLATION | | | | |
| 9-5-1 | A304-2 or -4* | Cap (RH, Ref) | | |
| 2 | MS20470AD4 | Rivet | X | A/R |
| 3 | A015-4* | Skin (RH, Ref) | | |
| 4 | MS20426AD3 | Rivet | X | A/R |
| 5 | A294-1 | Frame Assembly – Skid Mount (Ref) | | |
| 6 | MS21266-1N | Grommet (12-inch length; install using item 7) | X | A/R |
| 7 | B270-8qt | Adhesive | X | A/R |
| 8 | A293-2 | Panel (RH, Ref) | | |
| 9 | A304-1* | Cap (LH, Ref) | | |
| 10 | A500-1 | Support Assembly (Ref, cyclic friction assembly) | | |
| 11 | A293-1 | Panel (LH, Ref) | | |
| 12 | A272-1 | Chin (Ref, fiberglass) | | |
| 13 | A015-3* | Skin (LH, Ref) | | |
| 14 | MS21042L5 | Nut | X | 1 |
| 15 | NAS1149F0532P | Washer | X | 1 |
| 16 | C700-1 | Block (Ref) | | |
| 17 | C700-7** | Ball – Ground Handling | X | 1 |

NOTES * See also Figure 25-7.
 ** Ship S/N 2510 and subsequent.

Intentionally Blank