

CHAPTER 79  
ENGINE OIL SYSTEM

<i>Figure</i>	<i>Title</i>	<i>Page</i>
79-1	Oil Cooler Installation . . . . .	79.0
79-5	Oil Cooler Installation . . . . .	79.4
79-7	Oil Filter Installation . . . . .	79.6

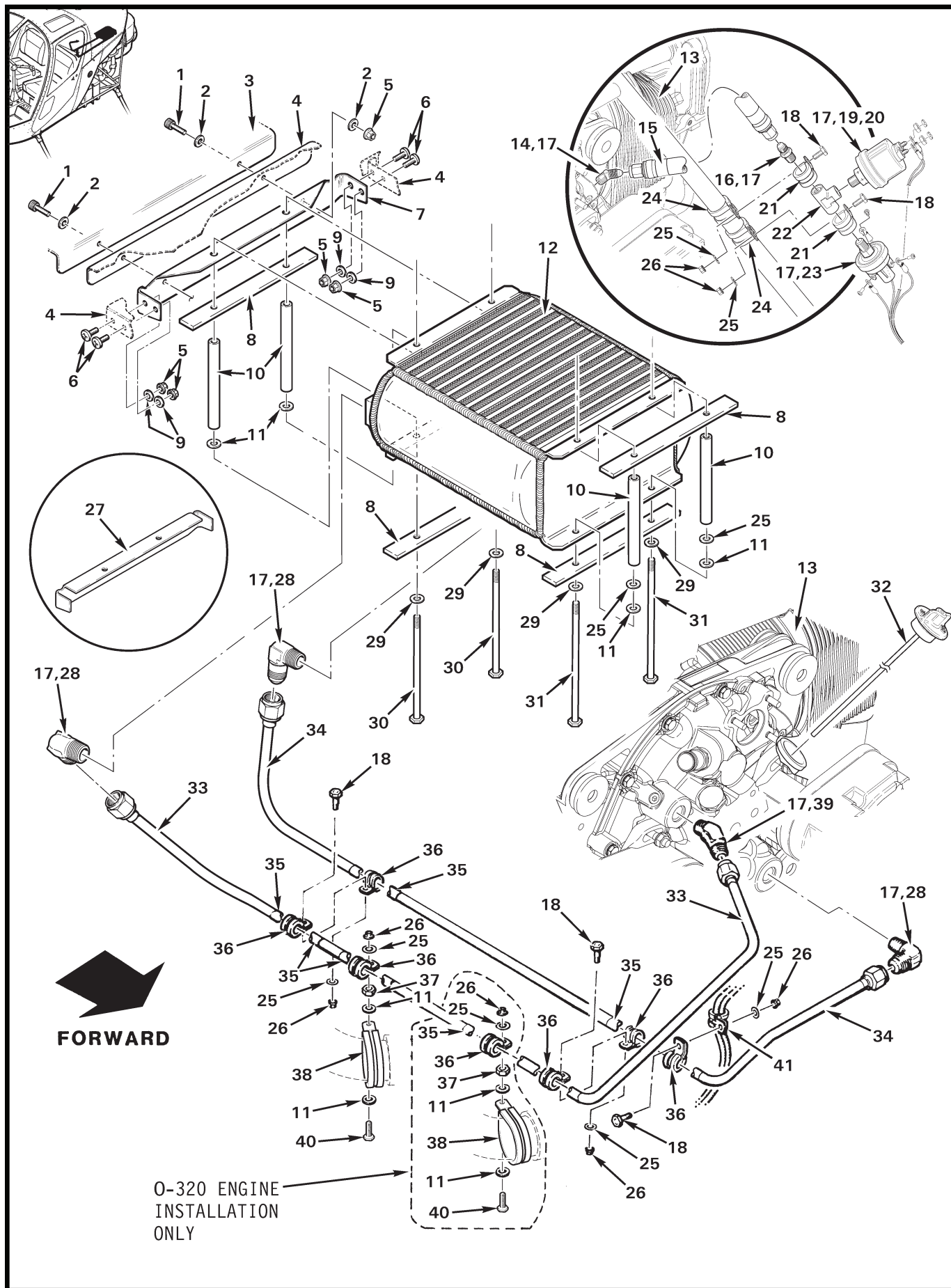


FIGURE AND INDEX NUMBER	PART NUMBER	DESCRIPTION	PARTS AVAIL	QTY PER ASSY
<b>OIL COOLER INSTALLATION</b>				
79-1-1	NAS1352-08-8P	Screw . . . . .	X	2
2	NAS1149FN816P	Washer . . . . .	X	4
3	A236	Lower Scroll Half (Ref; see also Figure 71-19.)		
4	A309-15	Panel Assembly (Ref; O-320 engine. See also Figure 71-19.)		
	C309-4	Panel Assembly (Ref; O-360 engine)		
5	MS21042L08	Nut . . . . .	X	6
6	MS27039C0806	Screw . . . . .	X	4
7	C636-2	Support (C649-1 oil cooler on O-360 engine) . . . . .	X	1
8	A668-1	Doubler – Oil Cooler . . . . .	X	4
9	NAS620-8L	Washer . . . . .	X	4
10	A130-49	Spacer . . . . .	X	4
11	NAS1149F0363P	Washer . . . . .	X	4
12	C649-1	Oil Cooler (large) . . . . .	X	1
13	—	Engine (Ref, see Fig. 71-1)		
14	A571-1	Fitting Assembly – Oil Pressure Hose . . . . .	X	1
15	B283-1	Hose Assembly – Oil Pressure . . . . .	X	1
16	AN816-3D	Nipple – Oil Pressure Hose (install using item 17) . . . . .	X	1
17	B270-6	Sealant/Lubricant (4-oz tube) . . . . .	X	A/R
18	AN3-3A	Bolt . . . . .	X	5
19	A058-3	Sender and Line Assembly (Incl items 15 thru 17, 20, 22, and 23) . . . . .	X	1
20	B308-1	Oil Pressure Sender (replaced part no. 1521003066; install using item 17) . . . . .	X	1
21	MS21919WDG9	Clamp – Tee Fitting . . . . .	X	2
22	AN917-1D	Tee – Oil Pressure Hose (install using item 17) . . . . .	X	1
23	B426-1	Oil Pressure Switch (install using item 17) . . . . .	X	1
24	MS21919WDG12	Clamp – Frame . . . . .	X	2
25	NAS1149F0332P	Washer . . . . .	X	6
26	D210-3	Nut . . . . .	X	6
27	A636-2	Support (C649-1 oil cooler on O-320 engine) . . . . .	X	A/R
28	MS20822-8	90° Elbow (install using item 17) . . . . .	X	2
29	NAS1149F0316P	Washer . . . . .	X	4
30	AN3-41A	Bolt . . . . .	X	2
31	AN3-44A	Bolt . . . . .	X	2
32	LW-16783-13*	Dip Stick – 6 quarts marking (O-320 engine) . . . . .	X	1
	LW-16783-22P*	Dip Stick – 6 quarts marking (O-360 engine) . . . . .	X	1

NOTES \* Lycoming part no.

Continues

FIGURE AND INDEX NUMBER	PART NUMBER	DESCRIPTION	PARTS AVAIL	QTY PER ASSY
<b>OIL COOLER INSTALLATION (Cont'd)</b>				
79-1-33	A723-6	Oil Line – Return (Incl item 35) . . . . .	X	1
34	A723-5	Oil Line – Out (Incl item 35) . . . . .	X	1
35	B158-212	Heat Shrink . . . . .	X	A/R
36	MS21919WCH8	Clamp – Oil Line . . . . .	X	6
37	MS35650-302	Nut . . . . .	X	1
38	MS21919WDG24	Clamp – Intake Pipe (for O-320 engine) . . . . .	X	2
	MS21919WDG28	Clamp – Intake Pipe (for O-360 engine, aft location) . . . . .	X	1
39	MS20823-8	45° Elbow (install using item 17) . . . . .	X	1
40	NAS428-3A6	Bolt . . . . .	X	1
41	MS21919WDG8	Clamp – Ignition Harness (use with TCM magnetos) . . . . .	X	1

NOTES

Intentionally Blank

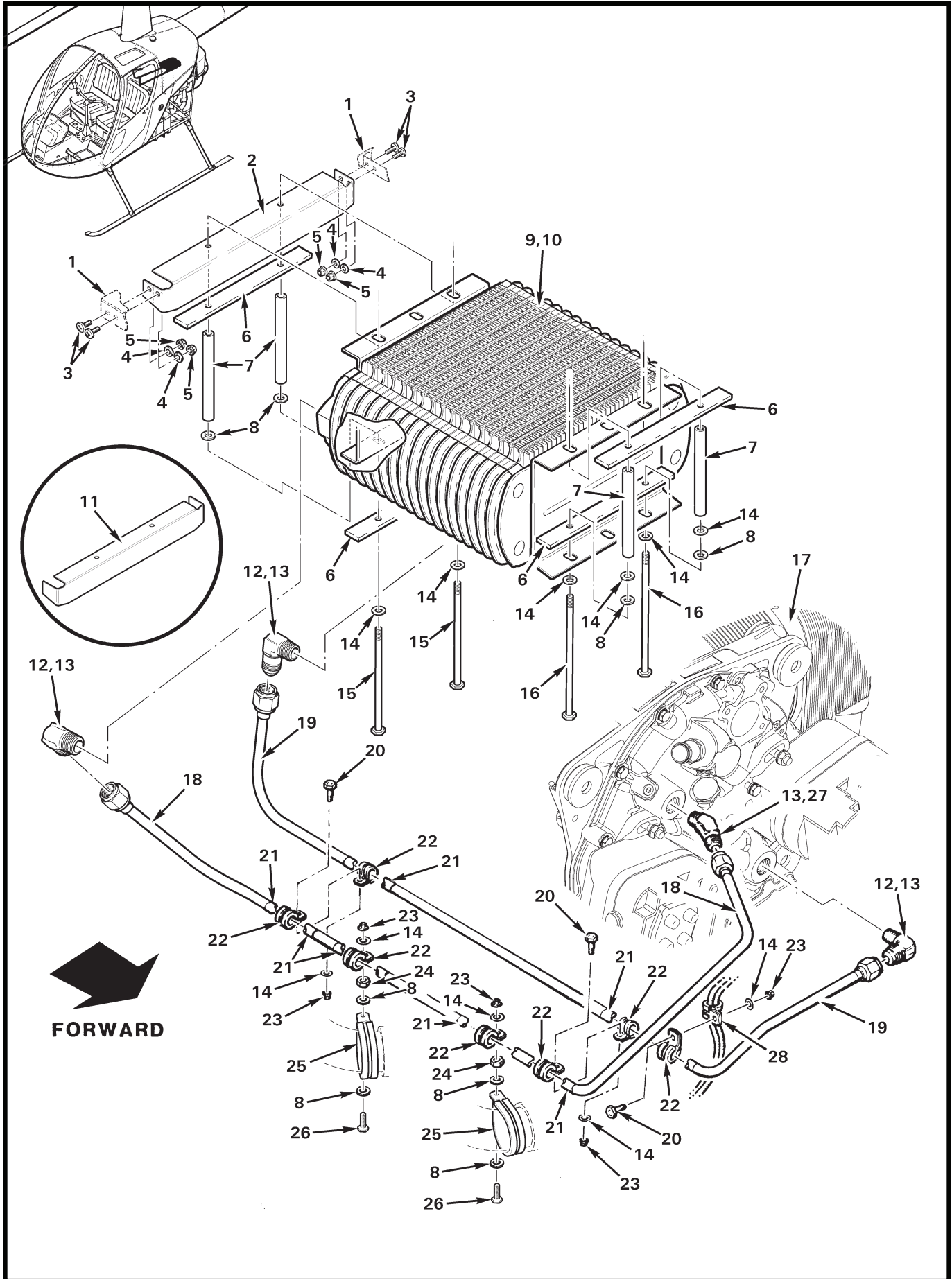


FIGURE AND INDEX NUMBER	PART NUMBER	DESCRIPTION	PARTS AVAIL	QTY PER ASSY
<b>OIL COOLER INSTALLATION</b>				
79-5-1	A309-15	Panel Assembly (Ref)		
2	A636-2	Support (used with item 9; Beta and Mariner) . . . . .	X	1
3	MS27039C0806	Screw . . . . .	X	4
4	NAS620-8	Washer . . . . .	X	4
5	MS21042L08	Nut . . . . .	X	4
6	A668-1	Doubler – Oil Cooler . . . . .	X	4
7	A130-49	Spacer (3.275-inch length) . . . . .	X	4
8	NAS1149F0363P	Washer . . . . .	X	8
9	A649-2*	Large Oil Cooler (Ref; no longer available. Superseded by C649-1 oil cooler. See Figure 79-1.)		
10	A649-1**	Small Oil Cooler (Ref; no longer available. Superseded by C649-1 oil cooler. See Figure 79-1.)		
11	A636-1**	Support (used with item 10) . . . . .	X	1
12	MS20822-8	90° Elbow (install using item 13) . . . . .	X	3
13	B270-6	Sealant/Lubricant (4-oz tube) . . . . .	X	A/R
14	NAS1149F0332P	Washer . . . . .	X	9
15	AN3-41A	Bolt . . . . .	X	2
16	AN3-44A	Bolt . . . . .	X	2
17	—	Engine (Ref)		
18	A723-1**	Oil Line – Out (Includes item 21, used with item 10.) . . . . .	O	1
	A723-5*	Oil Line – Out (Includes item 21, used with item 9 or C649-1.) . .	X	1
19	A723-2**	Oil Line – Return (Includes item 21, used with item 10.) . . . .	O	1
	A723-6*	Oil Line – Return (Includes item 21, used with item 9 or C649-1.) . . . . .	X	1
20	AN3-3A	Bolt . . . . .	X	3
21	B158-212	Heat Shrink . . . . .	X	A/R
22	MS21919WCH8	Clamp – Oil Line . . . . .	X	7
23	D210-3	Nut . . . . .	X	5
24	MS35650-302	Nut . . . . .	X	2
25	MS21919WDG24	Clamp – Intake Pipe (for O-320 engine) . . . . .	X	2
26	NAS428-3A6	Bolt . . . . .	X	2
27	MS20823-8	45° Elbow (install using item 13) . . . . .	X	1
28	MS21919WDG8	Clamp – Ignition Harness (use with TCM magnetos) . . . . .	X	1
	MS21919WDG6	Clamp – Ignition Harness (use with Slick magnetos) . . . . .	X	1

NOTES \* Beta and Mariner.  
 \*\* Standard, HP, and Alpha.

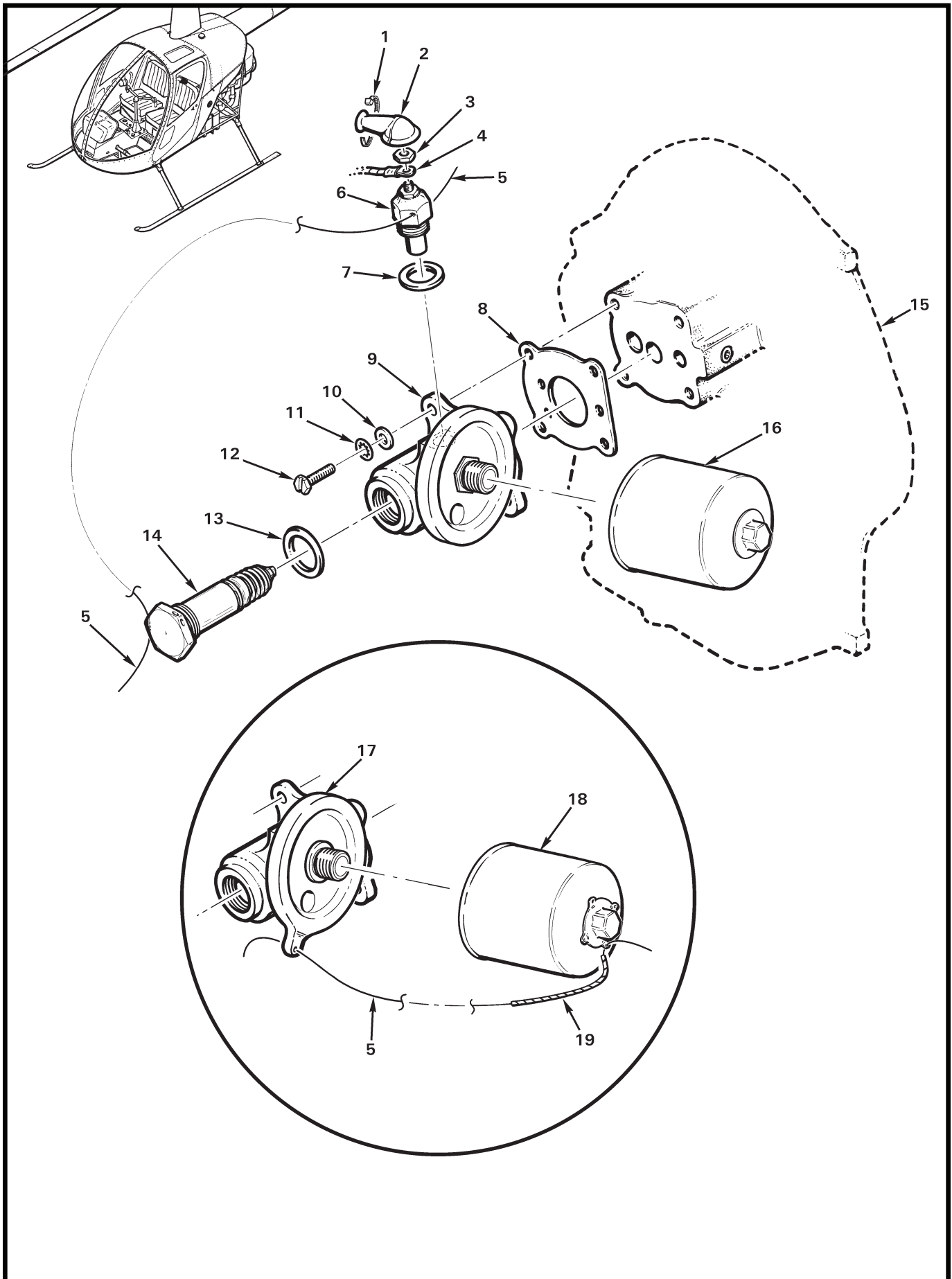




FIGURE AND INDEX NUMBER	PART NUMBER	DESCRIPTION	PARTS AVAIL	QTY PER ASSY
<b>OIL FILTER INSTALLATION</b>				
79-7-1	MS3367-4-9	Ty-rap . . . . .	X	1
2	MS25171-1S	Nipple . . . . .	X	1
3	—	Nut (Ref, supplied with item 6)		
4	C049-8	Harness Assembly . . . . .	X	1
5	MS20995C32	0.032-inch dia Safety Wire . . . . .	X	A/R
6	A760-1	Oil Temperature Sender (Ref)		
7	06E19769-0.63	Gasket . . . . .	X	1
8	61173*	Gasket – Oil Filter Adapter . . . . .	X	1
9	D723-1	Adapter – Oil Filter (revision "H" and subsequent) . . . . .	X	1
10	STD-8*	Washer . . . . .	X	4
11	STD-160*	Lockwasher . . . . .	X	4
12	STD-1856*	Screw . . . . .	X	4
13	76510*	Gasket . . . . .	X	1
14	53E22144*	Thermostatic Oil Cooler Bypass Valve . . . . .	X	1
15	—	Accessory Housing (Ref)		
16	B123-2	Oil Filter . . . . .	X	1
17	D723-1	Adapter – Oil Filter (Revision "G" and prior, provision for safety wire. Ref; no longer available.)		
18	B123-1	Oil Filter (Ref, provision for safety wire; no longer available.)		
19	B161-102	Spirap . . . . .	X	A/R
* * *				
20	KI-160	Full Flow Oil Filter Kit (for all R22s; includes items 7 thru 9, 11, 13, and 16 thru 18) . . . . .	X	1
21	A257-19.25oz	Lubricant (0.25-oz tube) . . . . .	X	1

NOTES \* Lycoming part no.

Intentionally Blank