

CHAPTER 64

TAIL ROTOR

<i>Figure</i>	<i>Title</i>	<i>Page</i>
64-1	A008-4 Tail Rotor Assembly	64.0
64-3	A008-2 Tail Rotor Assembly	64.2

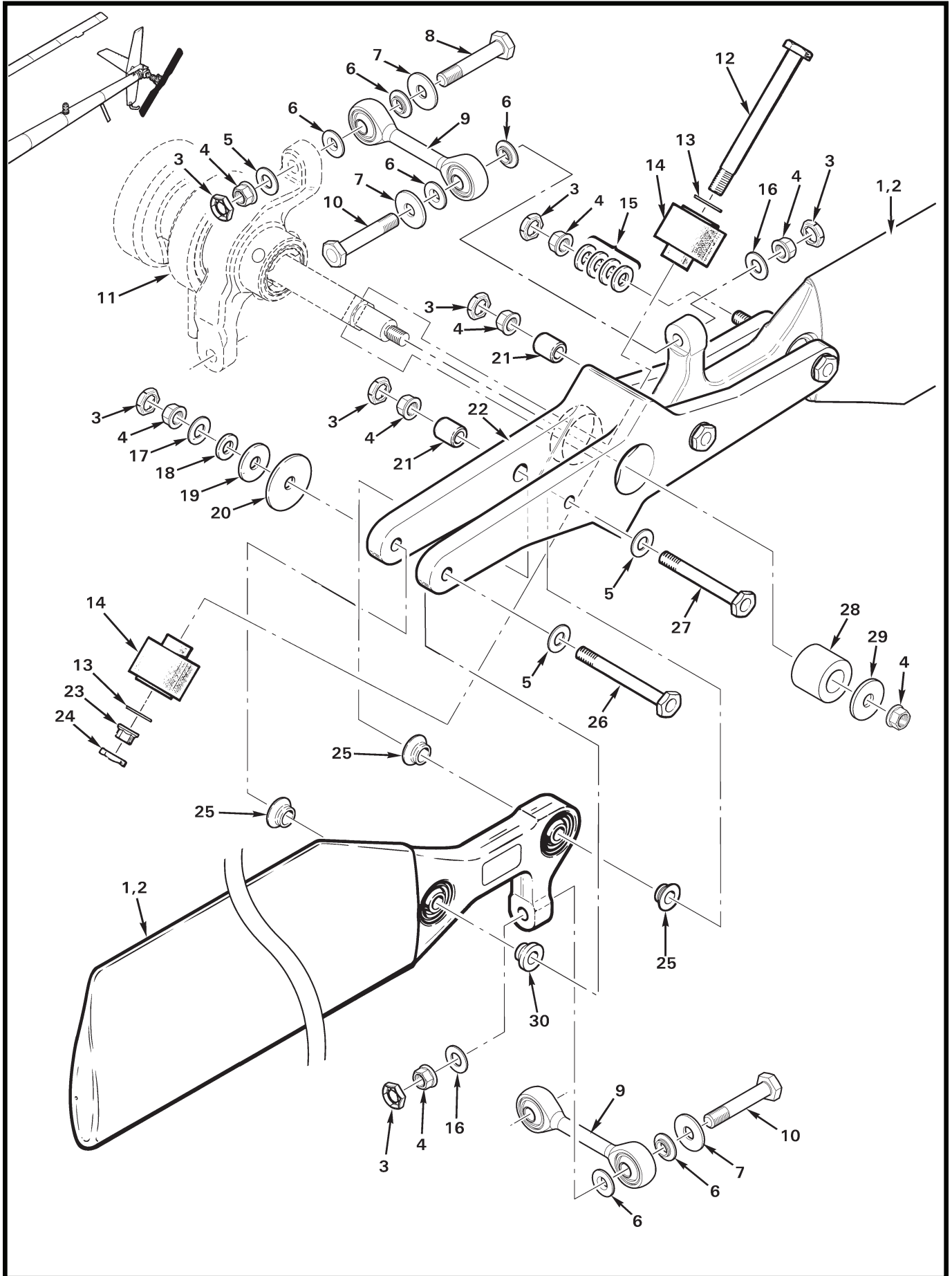


FIGURE AND INDEX NUMBER	PART NUMBER	DESCRIPTION	PARTS AVAIL	QTY PER ASSY
A008-4 TAIL ROTOR ASSEMBLY				
64-1-1	A008-4	Tail Rotor Assembly (Incl items 2 thru 5, 16, 15 , 17 thru 22, 26, 27, 25, and 30)	X	1
2	A029-2	Blade Assembly (round-tip)	O	2
3	B330-13	Palnut	X	11
4	D210-4	Nut	X	8
5	NAS1149F0432P	Washer	X	8
6	A115-1	Spacer	X	8
7	A214-3	Washer (0.688-inch inside diameter)	X	4
8	NAS6604-16	Bolt	X	2
9	B345-3	Pitch Link (ship S/N 2509 and subsequent; supersedes B345-1)	X	2
10	NAS6604-16 to -21	Bolt (length as required to add washer weights)	X	2
11	A031-1	Pitch Control Assembly (Ref)		
12	NAS6604-38	Bolt	X	1
13	NAS1149F0432P	Washer	X	2
14	B361-1*	Bearing – Elastomeric	X	2
15	NAS1149D0463J	Washer (heavy blade only)	X	4
16	A141-14	Washer (or item 7, 13, NAS1149F0463P, NAS1149D0432J, or NAS1149D0463J as required for balance)	X	A/R
17	NAS1149D0432J**	Washer	X	A/R
	NAS1149F0432P**	Washer	X	A/R
18	NAS1149D0463J**	Washer	X	A/R
	NAS1149F0463P**	Washer	X	A/R
19	A141-14**	Washer	X	A/R
20	AN970-4**	Washer	X	A/R
21	A138-1	Bushing	X	2
22	A062-1	Hub Assembly – Elastomeric Bearing (Ship S/N 2452, 2634 thru 2642, 2765, and subsequent. Includes items 12 thru 14, 23, and 24.)	X	1
	A062-2	Hub–Tail Rotor (serialized, Ref)	O	A/R
23	D210-4	Nut	X	1
24	B330-13	Palnut	X	1
25	A137-1	Spacer	X	6
26	NAS6604-27	Bolt	X	2
27	NAS6604-24	Bolt	X	6
28	A119-1	Bumper	X	1
29	A141-14	Washer (0.750-inch outside diameter)	X	1
30	A137-2	Spacer	X	2

NOTES * MT556-1 tools required to install bearing. See Figure 99-39.
 ** Minimum of [1] washer must be installed.

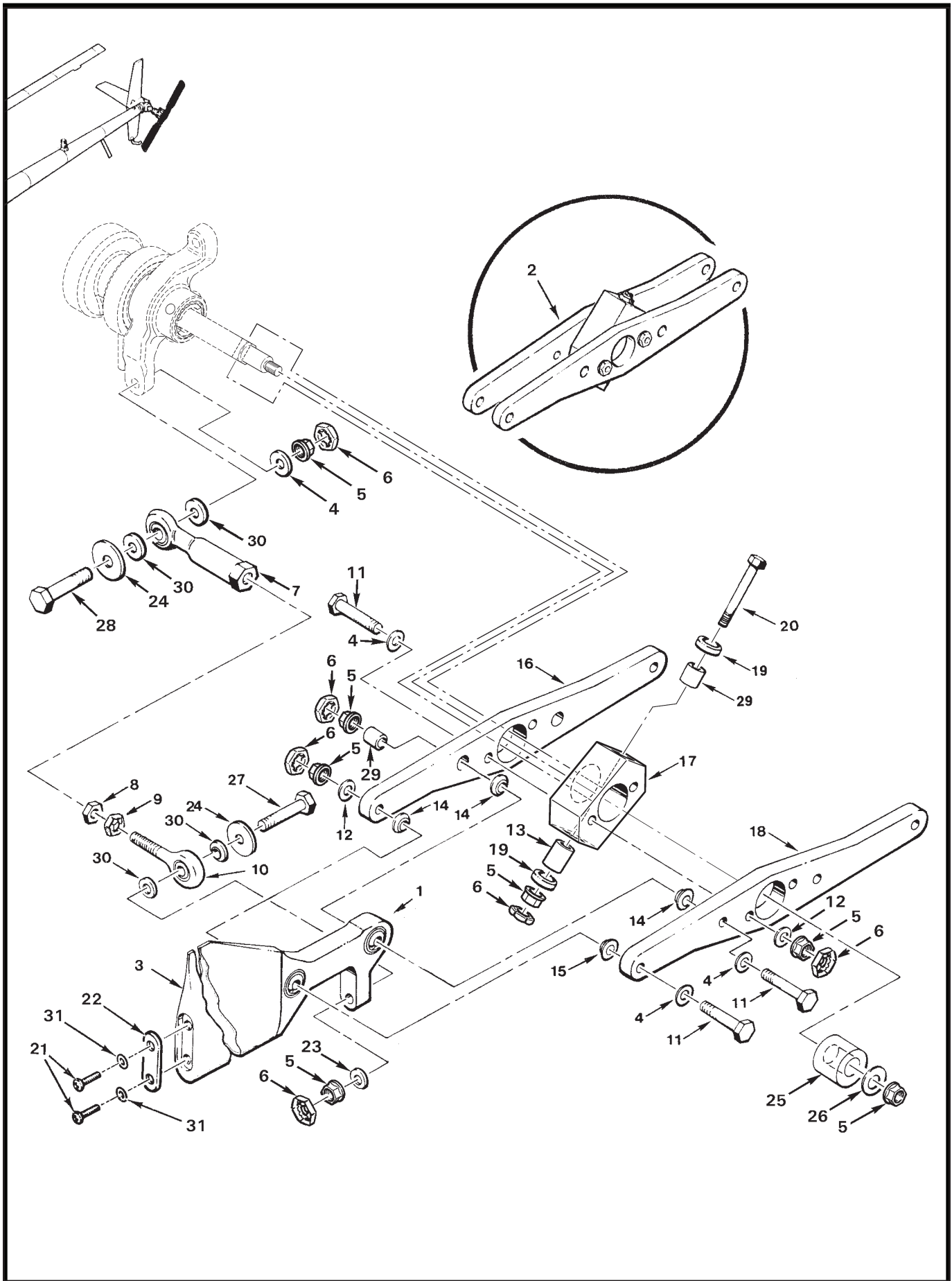


FIGURE AND INDEX NUMBER	PART NUMBER	DESCRIPTION	PARTS AVAIL	QTY PER ASSY
A008-2 TAIL ROTOR ASSEMBLY				
64-3-1	A008-2	Tail Rotor Assembly – Spherical Bearing (No longer available. Superseded by A008-4. See Figure 64-1.)		
2	A030-1	Hub Assembly (No longer available. Superseded by A062-1 Hub Assembly. See Figure 64-1.)		
3	A029-1	Blade Assembly (No longer available. Superseded by A029-2 Blade Assembly. See Figure 64-1.)		
4	NAS1149F0432P	Washer	X	8
5	D210-4	Nut	X	12
6	B330-13	Palnut	X	11
7	A102-4*	Rod End	O	2
8	AN316-5R*	Nut	X	2
9	B330-16*	Palnut	X	2
10	B163-1*	Rod End	X	2
11	NAS6604-24	Bolt	X	6
12	NAS1149F0463P	Washer	X	2
13	A130-1	Spacer	X	2
14	A137-1	Spacer	X	6
15	A137-2	Spacer	X	2
16	A129-2	Hub Plate	O	1
17	A128-1	Hub	O	1
18	A129-1	Hub Plate	O	1
19	B115-1	Bearing – Spherical	X	2
20	NAS1304-38	Bolt	O	1
21	NAS602-10P	Screw (or NAS602-12 or -12P, optional)	X	4
22	A134-1	Balance Weight (0.032-inch thick steel; or NAS1149FN832P or NAS1149FN816P as required for balance)	X	A/R
23	NAS1149F0432P**	Washer (or NAS1149F0463P or A141-14 as required for balance)	X	A/R
24	A214-3	Washer (0.688-inch inside diameter)	X	4
25	A119-1	Bumper	X	1
26	A141-14	Washer (0.750-inch outside diameter)	X	1
27	NAS6604-16 to -21	Bolt (length as required to add washer weights)	X	2
28	NAS6604-16	Bolt	X	2
29	A138-1	Bushing	X	2
30	A115-1	Spacer	X	8
31	NAS1149FN832P	Washer	X	A/R

NOTES * Ship S/N 0002 thru 2508; no longer available as an assembly, see Figure 64-1 item 9.
 ** Minimum of [1] washer must be installed.

Intentionally Blank