

CHAPTER 21

ENVIRONMENT CONTROL

<i>Figure</i>	<i>Title</i>	<i>Page</i>
21-1	Cabin Vent Control	21.0
21-3	Cabin Heater – Forward Outlet	21.2
21-7	Cabin Heater – Dual Forward Outlet	21.6
21-9	Cabin Heater – Aft Outlet	21.8

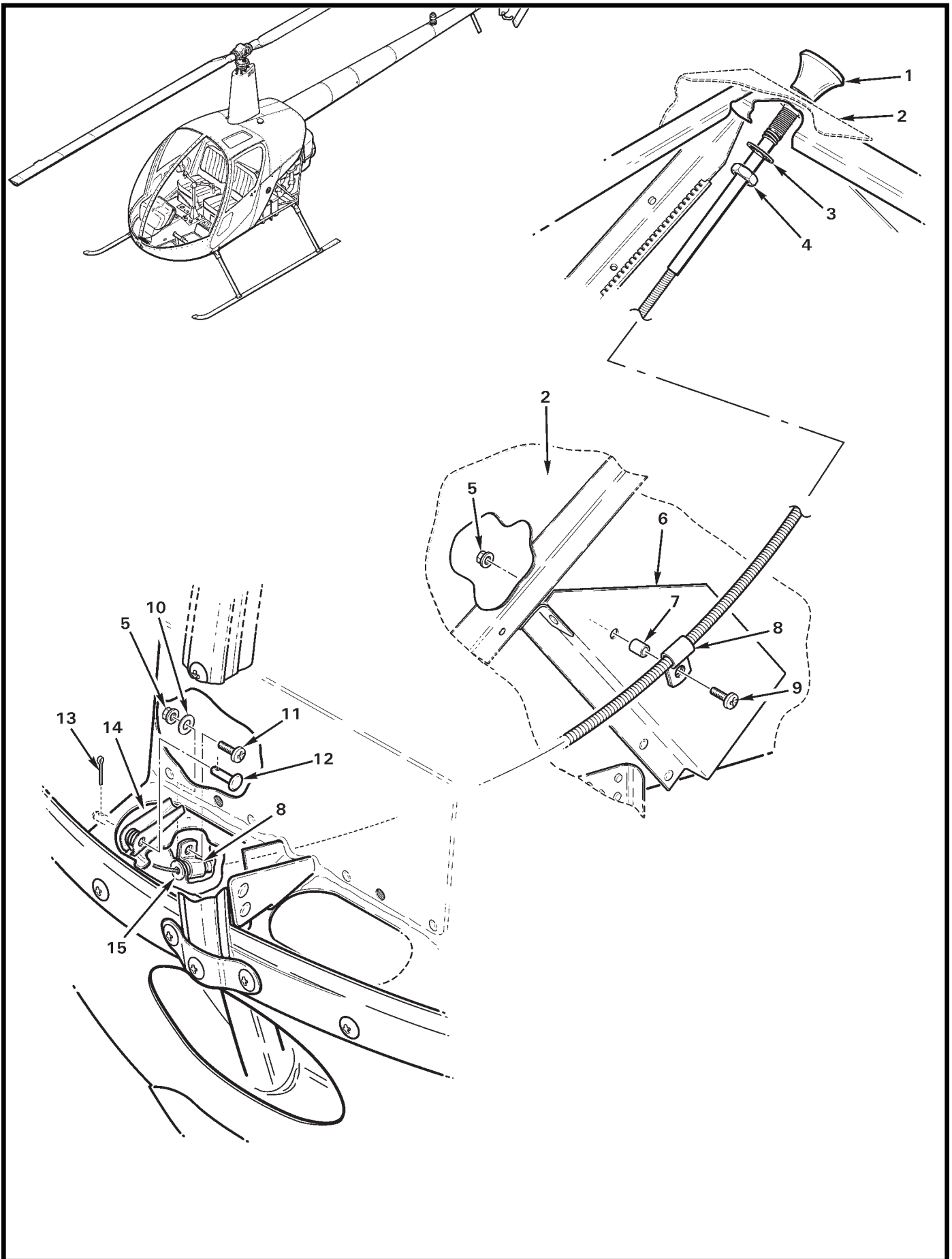


FIGURE AND INDEX NUMBER	PART NUMBER	DESCRIPTION	PARTS AVAIL	QTY PER ASSY
CABIN VENT CONTROL				
21-1-1	A522-1	Control – Cabin Air Vent (Incl items 3 and 4)	X	1
2	A033	Console Assembly (Ref)		
3	—	Washer (Ref)		
4	—	Nut (Ref)		
5	D210-3	Nut	X	2
6	A371-2	Stiffener (RH, Ref)		
7	A130-25	Spacer	X	1
8	AN742-3	Clamp	X	2
9	MS27039C1-10	Screw	X	1
10	NAS1149F0332P	Washer	X	1
11	MS27039C1-06	Screw	X	1
12	MS20392-2C13	Pin	X	1
13	MS24665-69	Cotter Pin	X	1
14	A523-5	Flap – Vent Box (Ref)		
15	MS35489-1	Grommet	X	1

NOTES

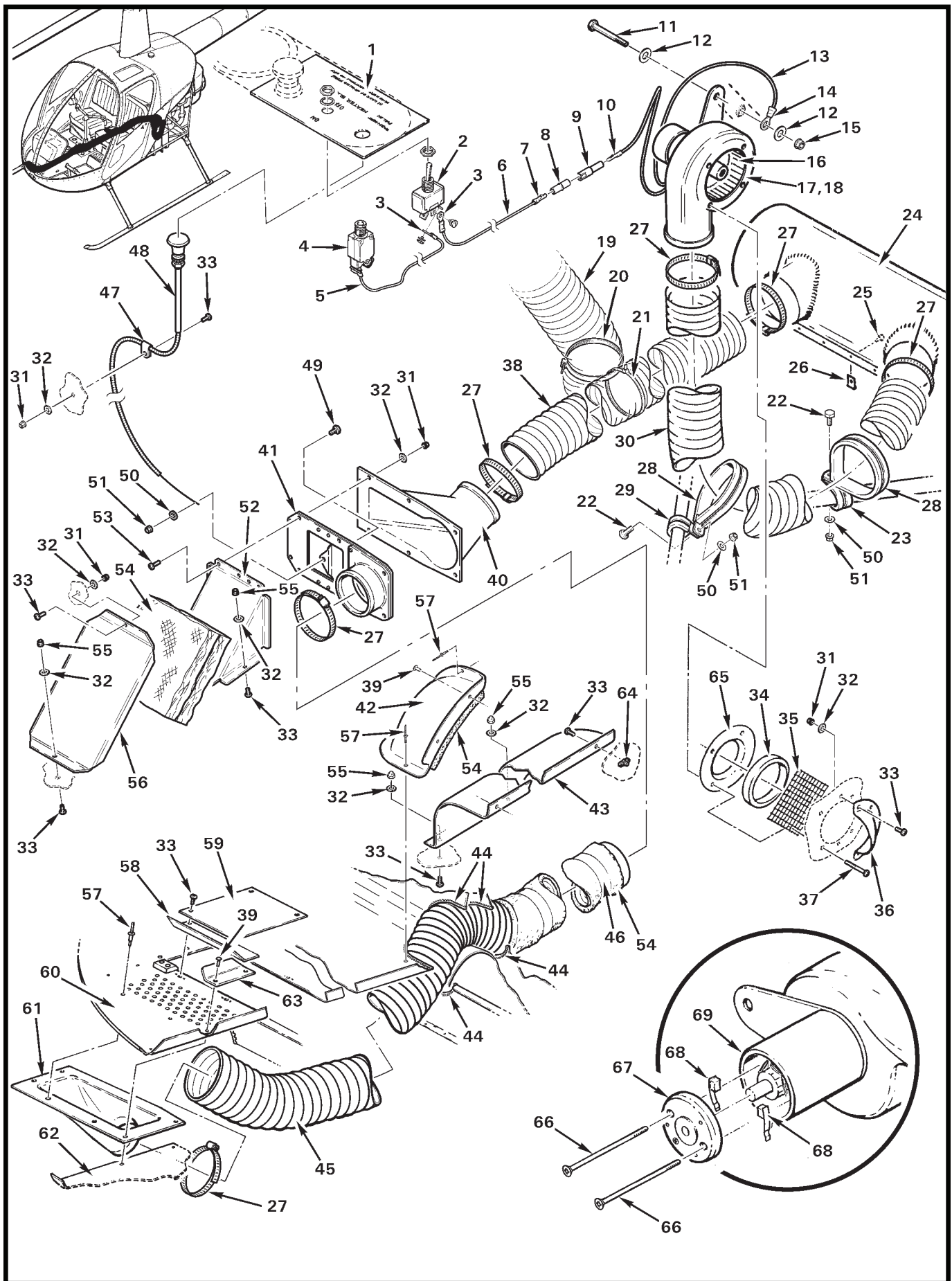


FIGURE AND INDEX NUMBER	PART NUMBER	DESCRIPTION	PARTS AVAIL	QTY PER ASSY
CABIN HEATER – FORWARD OUTLET*				
21-3-1	B170-1	Data Plate	X	1
2	B300-4	Switch	X	1
3	B260-2	Terminal	X	3
4	B297-10	Circuit Breaker (10-amp)	X	1
5	A019-130	Wire (switch-to-circuit breaker)	O	1
6	A019-131	Wire (blower-to-switch)	O	1
7	B263-4	Socket	X	1
8	B263-11	Housing (plug-power side)	X	1
9	B263-10	Housing (blower side)	X	1
10	B263-3	Pin	X	1
11	AN4-20A	Bolt	X	1
12	NAS1149F0432P	Washer	X	2
13	A019-132	Wire (blower-to-ground)	O	1
14	B260-5	Terminal	X	1
15	D210-4	Nut	X	1
16	AA-300-101-2-1	Impeller (blower wheel)	X	1
17	A782-4	Housing (housing only)	X	1
18	A643-2	Blower Assembly (Incl items 8, 9, 10, 13, 14, 16, 17, 65 and wires)	X	1
19	A785-1	Hose – Intake (Ref)		
20	MS3367-6-0	Ty-Rap	X	2
21	MS3367-7-9	Ty-Rap	X	1
22	AN3-4A	Bolt	X	1
23	MS21919WDG14	Clamp	X	1
24	A169-3	Shroud Assembly – Muffler (Incl items 25 and 26)	X	1
25	MS51861-35	Screw	X	7
26	C6352-10Z1	Tinnerman Nut	X	7
27	B277-36	Clamp	X	7
28	MS21919WDG40	Clamp	X	2
29	MS21919WDG10	Clamp	X	1
30	A785-5	Hose (blower-to-muffler shroud; used on Standard and HP)	X	1
	A785-8	Hose (aft battery installation; used on Alpha)	X	1
31	MS21042L08	Nut	X	19
32	NAS1149FN816P	Washer	X	25
33	MS27039C0806	Screw	X	22

NOTES * Ship S/N 0484, 0500, and subsequent.

Continues

FIGURE AND INDEX NUMBER	PART NUMBER	DESCRIPTION	PARTS AVAIL	QTY PER ASSY
CABIN HEATER – FORWARD OUTLET* (Cont'd)				
21-3-34	A629-1	Spacer	X	1
35	A640-1	Screen – Air Inlet	X	1
36	A911-1	Scoop – Outside Air	X	1
37	MS27039C0816	Screw	X	4
38	A785-3	Hose (valve assembly-to-muffler shroud)	X	1
39	MS20470AD3	Rivet	X	11
40	B282-1	Inlet (engine side of firewall)	X	1
41	B019-3	Valve Assembly	X	1
42	B165-1	Cover	X	1
43	A631-1	Cover – Baggage Compartment	X	1
44	MS21266-1N	Grommet (12-inch length, install using B270-8qt adhesive)	X	A/R
45	A785-9	Hose	X	1
46	A701-1	Foil Tape (180-foot roll)	X	A/R
47	AN742-3	Clamp	X	4
48	A522-4	Control – Cabin Heat	X	1
49	A462-1	Fitting (slider-to-control attach)	X	1
50	NAS1149F0332P	Washer	X	3
51	D210-3	Nut	X	3
52	A625-1	Box – Outlet	X	1
53	MS27039C0808	Screw	X	8
54	R5111	Insulation (One layer around hose, under item 42, and between items 52 and 56; 4 square feet.)	X	A/R
55	B340-4	Nut	X	8
56	A753-1	Cover – Box Outlet	X	1
57	NAS1919B04S01	Rivet	X	10
58	B189-2	Deflector – Aft	X	1
59	A412-1	Cover	X	1
60	A232-2	Floor Panel (RH)	X	1
61	B164-1	Outlet (Ref)		
62	A232-3	Floor Panel (center, Ref)		
63	B189-1	Deflector	X	1
64	MS21069L08	Nutplate	X	4
65	A903-1	Inlet – Outside Air	X	1
66	—	Screw (Ref)		
67	—	Cover (Ref)		

NOTES * Ship S/N 0484, 0500, and subsequent.

Continues

FIGURE AND INDEX NUMBER	PART NUMBER	DESCRIPTION	PARTS AVAIL	QTY PER ASSY
21-3-68 69	7041101-2-1	CABIN HEATER – FORWARD OUTLET* (Cont'd) Brush (no longer available; for use in Aerospace Systems blowers only)	0	2
	A643-1	Blower Assembly (Ref, no longer available. See item 18.)		

NOTES * Ship S/N 0484, 0500, and subsequent.

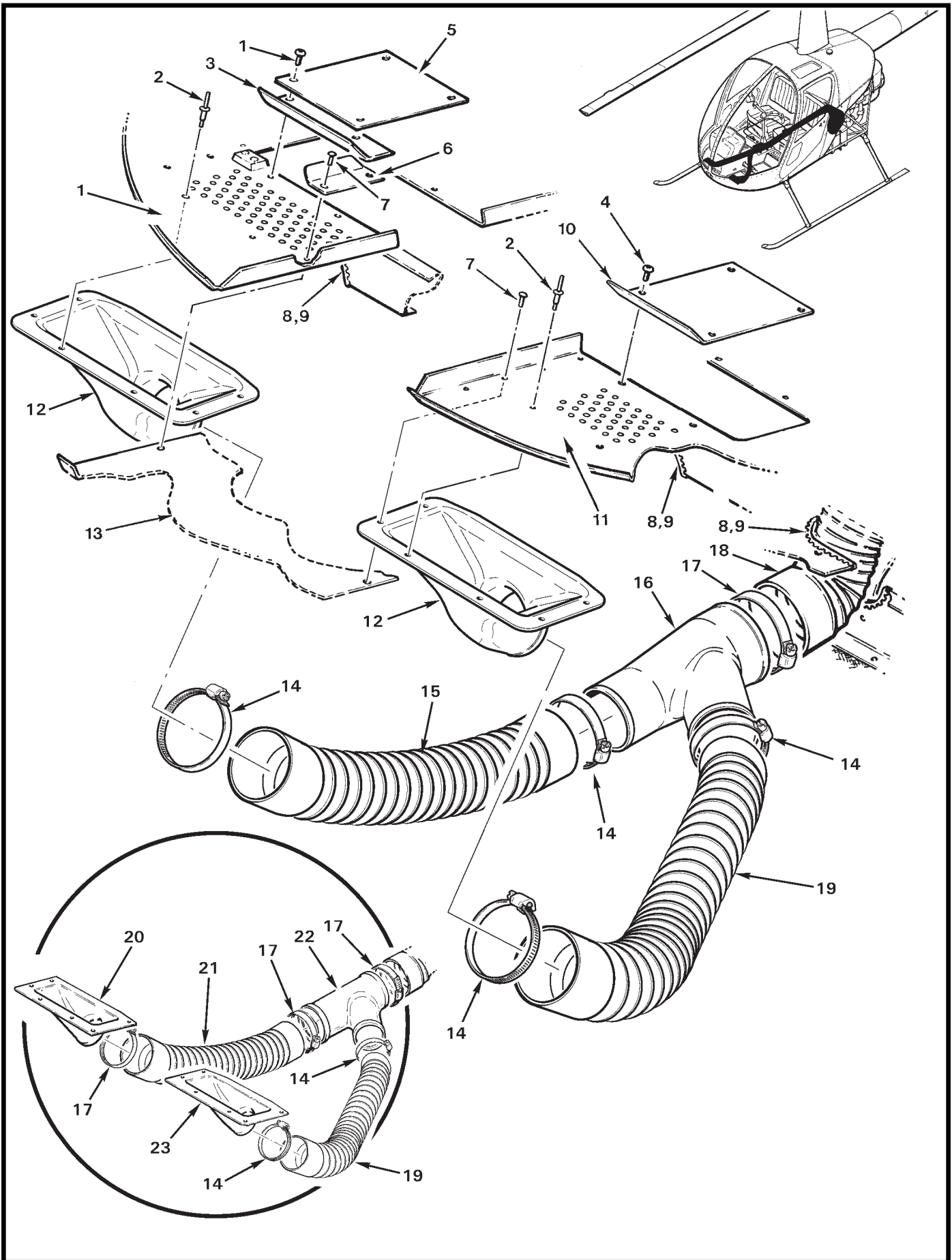


FIGURE AND INDEX NUMBER	PART NUMBER	DESCRIPTION	PARTS AVAIL	QTY PER ASSY
CABIN HEATER – DUAL FORWARD OUTLET				
21-7-1	A232-1	Floor Panel (RH, Ref)		
2	NAS1919B04S01	Rivet	X	8
3	B189-2	Deflector (RH, aft)	X	1
4	MS27039C0806	Screw	X	8
5	A412-1	Cover	X	1
6	B189-1	Deflector (inboard)	X	1
7	MS20470AD3	Rivet	X	4
8	MS21266-1N	Grommet (12-inch length, attach using item 9)	X	A/R
9	B270-8qt	Adhesive	X	A/R
10	B189-4	Deflector (LH)	X	1
11	A232-1	Floor Panel (LH, Ref)		
12	B164-3	Outlet	X	2
13	A232-3	Floor Panel (center, Ref)		
14	B277-28	Clamp	X	4
15	A785-34	Hose	X	1
16	B391-2	Splitter	X	1
17	B277-36	Clamp	X	1
18	A785-8	Hose (Ref, valve assembly-to-splitter [item 16]. See Figure 21-3.)	X	1
19	A785-25	Hose	X	1
* * *				
20	B164-1	Outlet (RH, Ref; no longer available. To replace, order items 12, and 14 thru 16.)		
21	A785-27	Hose	X	1
22	B391-1	Splitter (Ref, no longer available. To replace, order items 12, and 14 thru 16.)		
23	B164-2	Outlet (LH, Ref; no longer available. To replace, order item 12.)		

NOTES

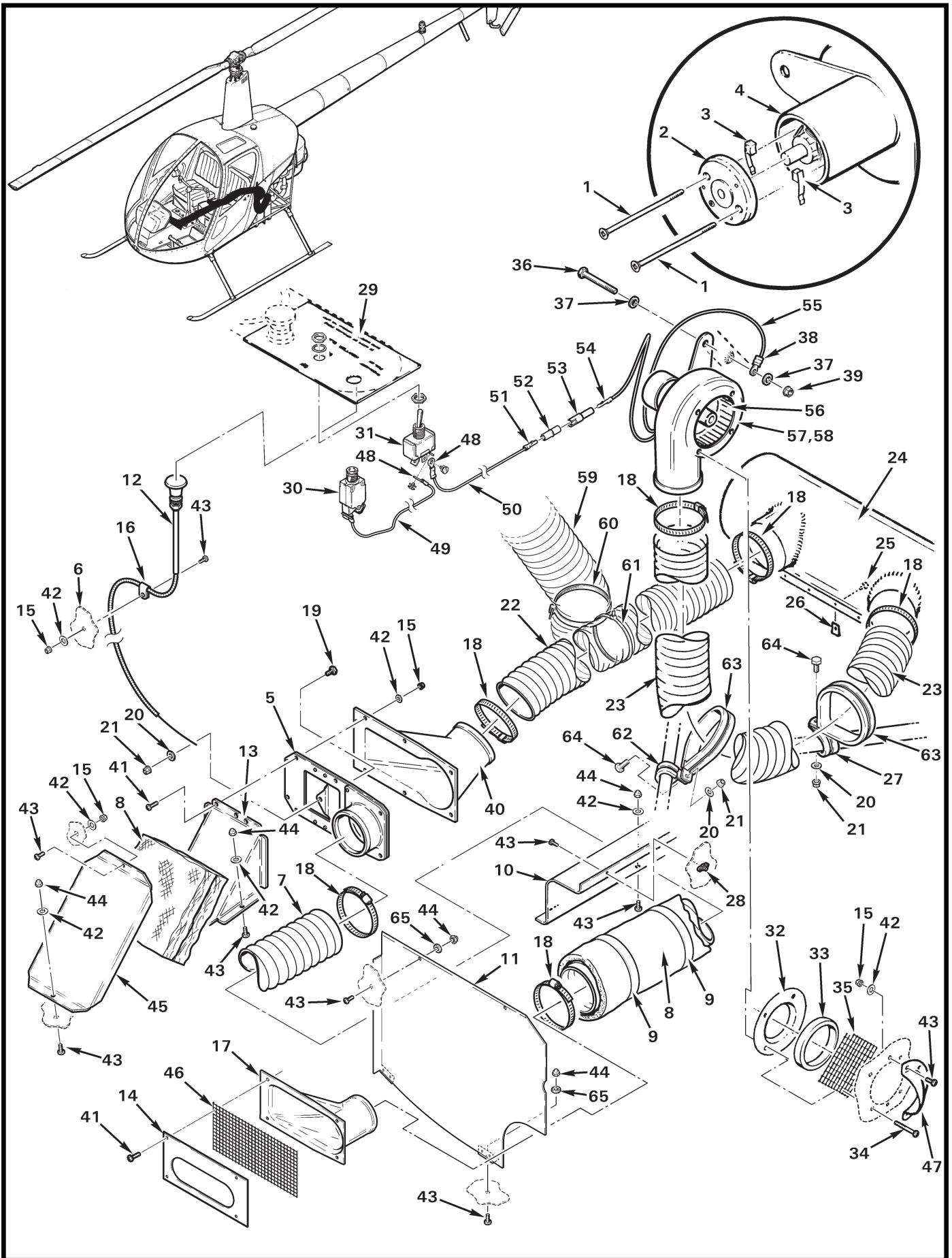


FIGURE AND INDEX NUMBER	PART NUMBER	DESCRIPTION	PARTS AVAIL	QTY PER ASSY
CABIN HEATER – AFT OUTLET				
21-9-1	—	Screw (Ref)		
2	—	Cover (Ref)		
3	7041101-2-1	Brush (no longer available; for use in Aerospace Systems blowers only)	O	2
4	A643-1	Blower Assembly (Ref, no longer available. Superseded by item 58.)		
5	B019-3	Valve Assembly	X	1
6	A294-1	Frame Assembly – Skid Mount (Ref)		
7	A785-4	Hose (cabin outlet-to-firewall valve)	X	1
8	R5111	Insulation (One layer around hose, two layers between items 13 and 45; 4 square feet.)	X	A/R
9	A701-1	Foil Tape (180-foot roll)	X	A/R
10	A631-1	Cover – Baggage Compartment	X	1
11	A748-1	Cover – Baggage Compartment	X	1
12	A522-4	Control – Cabin Heat	X	1
13	A625-1	Box – Outlet	X	1
14	A630-1	Cover – Cabin Outlet Screen	X	1
15	MS21042L08	Nut	X	19
16	AN742-3	Clamp	X	4
17	A623-2	Outlet – Cabin	X	1
18	B277-36	Clamp	X	6
19	A462-1	Fitting (slider-to-control attach)	X	1
20	NAS1149F0332P	Washer	X	3
21	D210-3	Nut	X	3
22	A785-3	Hose (valve assembly-to-muffler shroud)	X	1
23	A785-5	Hose (blower-to-muffler shroud)	X	1
	A785-8	Hose (aft battery installation)	X	1
24	A169-3	Shroud Assembly – Muffler (Incl items 25 and 26)	X	1
25	MS51861-35	Screw	X	7
26	C6352-10Z1	Tinnerman Nut	X	7
27	MS21919WDG14	Clamp	X	1
28	MS21069L08	Nutplate	X	4
29	B170-1	Data Plate	X	1
30	B297-10	Circuit Breaker (10-amp)	X	1
31	B300-4	Switch	X	1
32	A903-1	Inlet – Outside Air	X	1

NOTES

Continues

FIGURE AND INDEX NUMBER	PART NUMBER	DESCRIPTION	PARTS AVAIL	QTY PER ASSY
CABIN HEATER – AFT OUTLET (Cont'd)				
21-9-33	A629-1	Spacer	X	1
34	MS27039C0816	Screw	X	4
35	A640-1	Screen – Air Inlet	X	1
36	AN4-20A	Bolt	X	1
37	NAS1149F0432P	Washer	X	2
38	B260-5	Terminal	X	1
39	D210-4	Nut	X	1
40	B282-1	Inlet (engine side of firewall)	X	1
41	MS27039C0808	Screw	X	12
42	NAS1149FN816P	Washer	X	25
43	MS27039C0806	Screw	X	22
44	B340-4	Nut	X	8
45	A753-1	Cover – Box Outlet	X	1
46	A019-6	Grille – Cabin Inlet	X	1
47	A911-1	Scoop – Outside Air	X	1
48	B260-2	Terminal	X	3
49	A019-130	Wire (switch-to-circuit breaker)	X	1
50	A019-131	Wire (blower-to-switch)	O	1
51	B263-4	Socket	X	1
52	B263-11	Housing (socket, power side)	X	1
53	B263-10	Housing (pin, blower side)	X	1
54	B263-3	Pin	X	1
55	A019-132	Wire (blower-to-ground)	O	1
56	AA-300-101-2-1	Impeller (blower wheel)	X	1
57	A782-4	Housing (housing only)	X	1
58	A643-2	Blower Assembly (Includes wiring and items 32, 38, and 53 thru 57.)	X	1
59	A785-1	Hose Intake (Ref)		
60	MS3367-6-0	Ty-Rap	X	1
61	MS3367-7-9	Ty-Rap	X	1
62	MS21919WDG10	Clamp	X	1
63	MS21919WDG40	Clamp	X	2
64	AN3-4A	Bolt	X	2
65	NAS1149FN832P	Washer	X	4

NOTES