

CHAPTER 18

TRACK AND BALANCE

<i>Figure</i>	<i>Title</i>	<i>Page</i>
18-1	TEC ACES Balancing System	18.0
18-3	TEC ACES Balancing System	18.2
18-5	Chadwick-Helmuth Balancing System	18.4

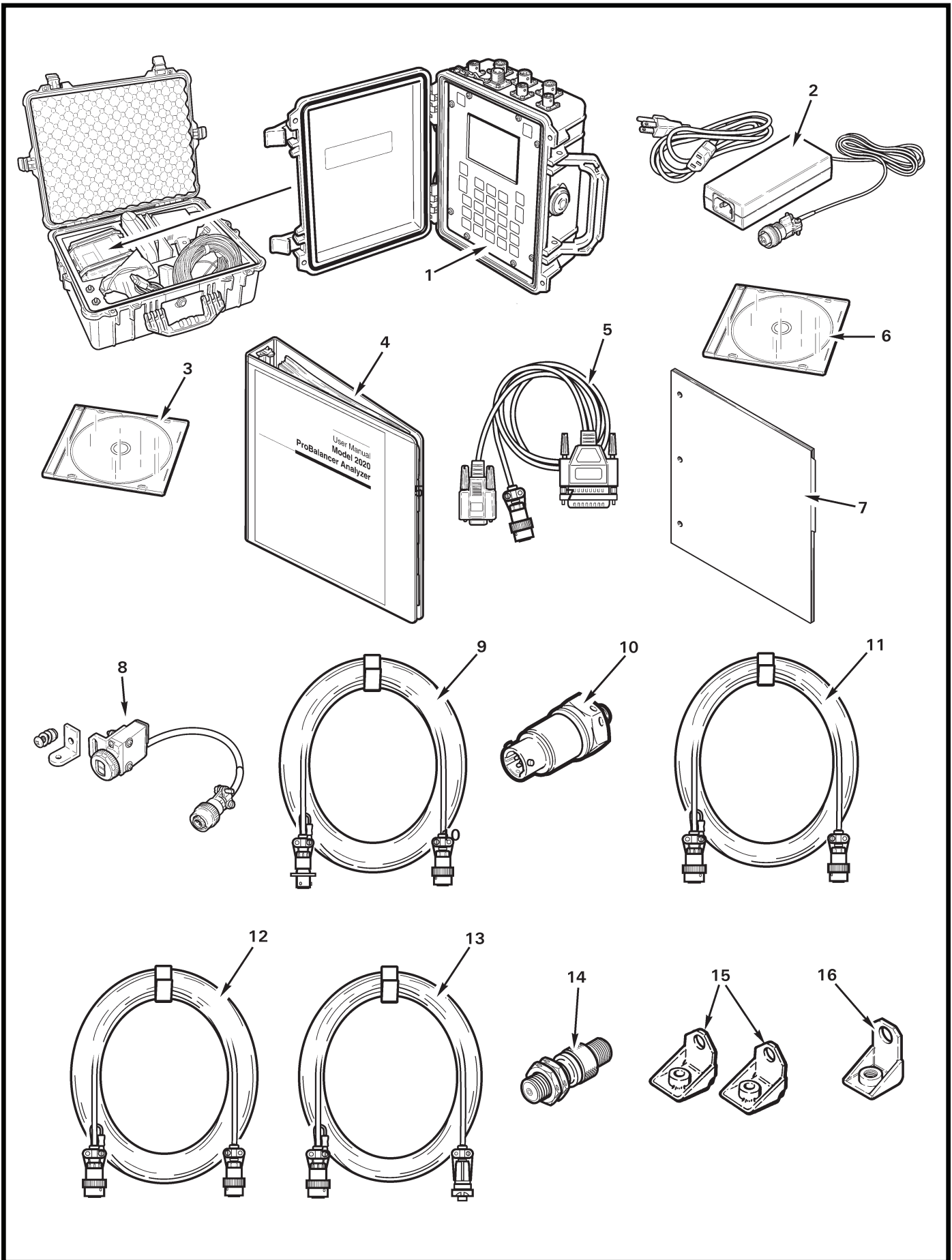


FIGURE AND INDEX NUMBER	PART NUMBER	DESCRIPTION	PARTS AVAIL	QTY PER ASSY
TEC ACES BALANCING SYSTEM				
18-1-1	2020HR	Tec Aces Analyzer and Turbo Probalancing System (Incl items 1 thru 16)	X	1
	Z2020-LGCASE KIT	Carry Case – “Aces 2020”	X	1
2	Z10-320-4043-110V	Charger – NiMH Battery (110V)	X	1
3	75-900-0193D	DVD – “Aces 2020”	X	1
4	75-900-2020	Manual – “Aces 2020” User’s Manual	X	1
5	10-320-0157	Cable – “Aces 2020” (6 ft)	X	1
6	10-700-0102	Software – “Avtrend Bronze”	X	1
7	75-900-2026	Manual – “Avtrend Bronze” User’s Manual	X	1
8	10-100-1773	Tachometer – Optical Photocell	X	1
9	10-320-0126	Cable – Tachometer (50 ft)	X	1
10	69-100-0075	Sensor – Vibration Transducer	X	2
11	10-320-0162	Cable – Sensor (25 ft)	X	1
12	10-320-0163	Cable – Sensor (50 ft)	X	1
13	10-320-0052	Cable – Magnetic Pickup (25 ft)	X	1
14	75-900-0187	Sensor – Magnetic Pickup	X	1
15	22-420-0035	Mount (1/4-inch hole)	X	2
16	22-430-0036	Mount (5/16-inch hole)	X	1

NOTES

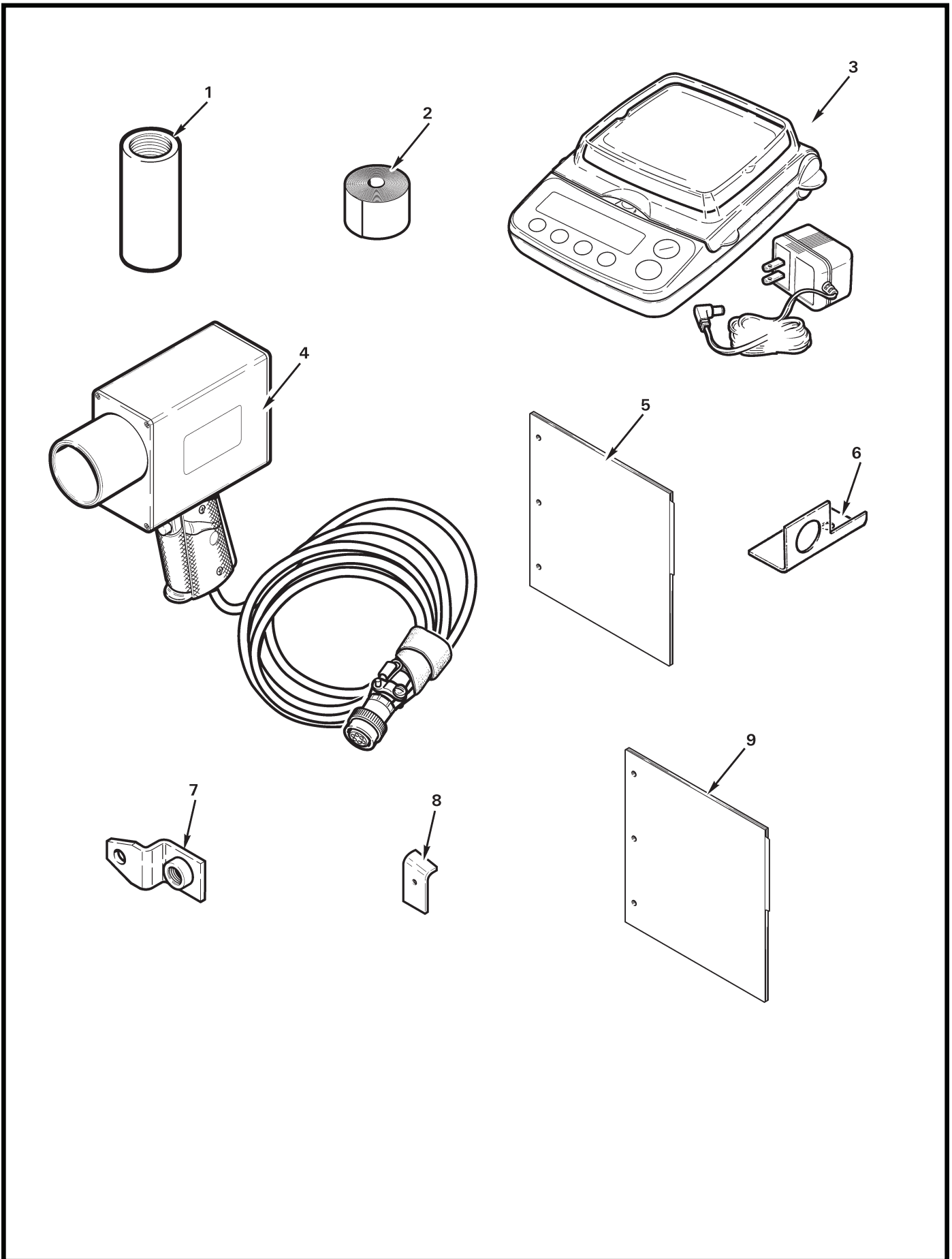


FIGURE AND INDEX NUMBER	PART NUMBER	DESCRIPTION	PARTS AVAIL	QTY PER ASSY
TEC ACES BALANCING SYSTEM				
18-3-1	22-430-0096	Sun Shield – Tachometer	X	1
2	10-400-0176	Reflective Tape (10-ft roll)	X	1
3	75-900-0507	Scale	X	1
4	75-900-0542	Tracker – Optical	X	1
5	—	Manual – Optical Tracker (supplement)	X	1
6	22-430-0066	Mount – Multipurpose	X	1
7	22-430-0037	Mount – Sensor	X	1
8	22-430-0082	Interrupter	X	1
9	75-900-2022	Manual – EPS Supplement	X	1
NOTES				

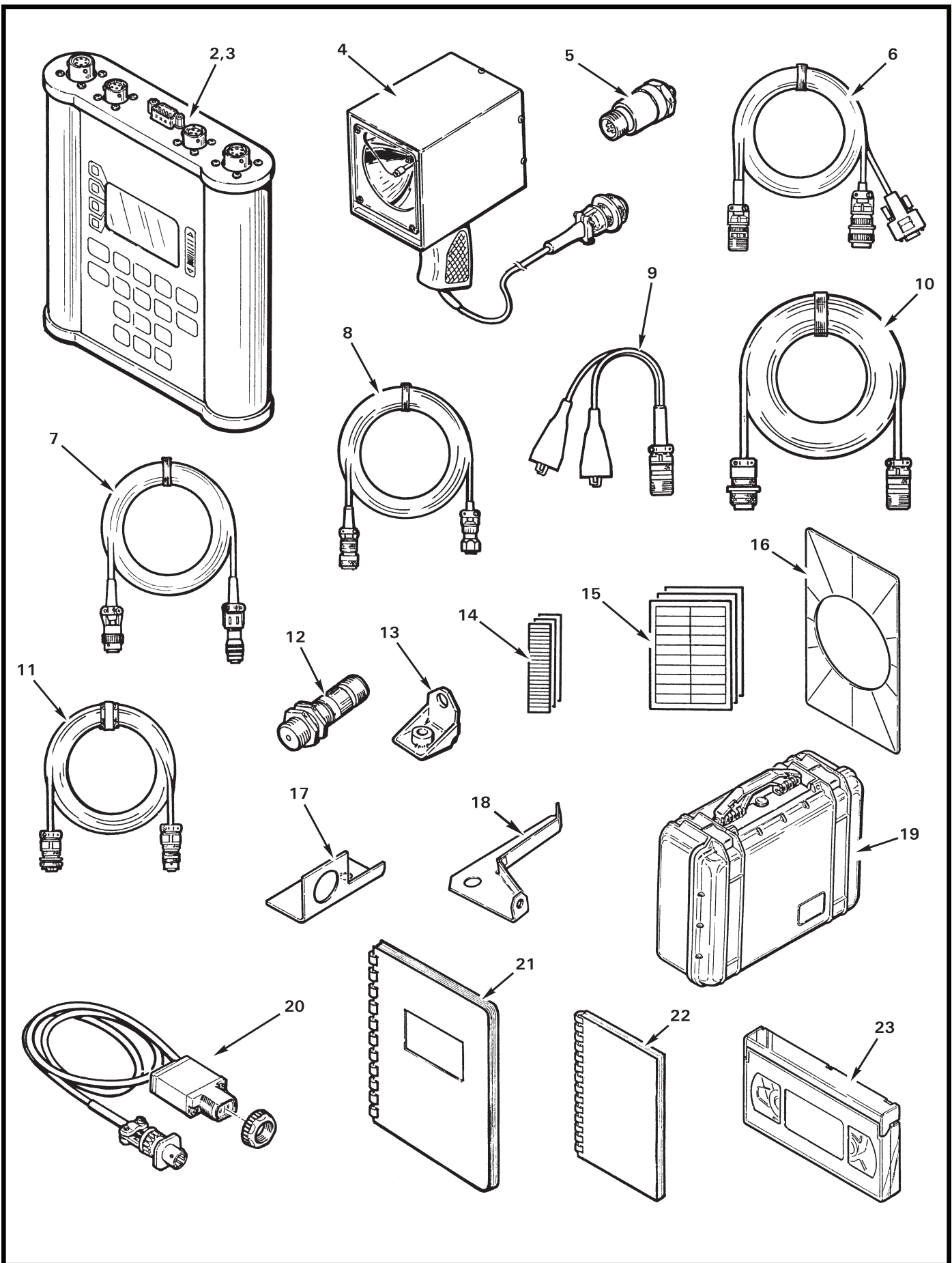


FIGURE AND INDEX NUMBER	PART NUMBER	DESCRIPTION	PARTS AVAIL	QTY PER ASSY
CHADWICK-HELMUTH BALANCING SYSTEM				
18-5-1	KI-68	Chadwick-Helmuth Balancing System (Incl items 2, and 4 thru 23)	O	1
	KI-68A	Chadwick-Helmuth Balancing System (Incl items 3 thru 23) . .	O	1
2	13590	Balancer – Vibrex 2000	O	1
3	14990	Balancer – Vibrex 2000 Plus (includes spectrum viewer)	O	1
4	8620	Strobex Tracker (135M-12)	O	1
5	901-7310	Velocimeter	O	1
6	13797	Cable Assembly – Vibrex 2000/Strobex	O	1
7	11247-50	Cable Assembly – Optical (50 feet)	O	1
8	11210-50	Cable Assembly – Velocimeter (50 feet)	O	1
9	902-3140-5	Cable Assembly – DC (with battery clips)	O	1
10	902-3529	Cable Assembly – DC (50-foot extension)	O	1
11	10808-25	Cable Assembly – Magnetic Pickup (25 feet)	O	1
12	5876	Magnetic Pickup (3030)	O	1
13	3382-1	Bracket – Transducer (0.28 HL SS)	O	1
14	907-3300	Target Patch Set (sheet of 20)	X	1
15	C701-1	Tip Target Tape (one [1] target)	X	1
	907-4270-1	Tip Target (laminated, sheet of 20)	O	1
16	13871	Protractor – Vibrex 2000 (tail rotor)	O	1
17	10423-1	Bracket – Vibrex 2000 (generic)	O	1
18	5635	Bracket – Magnetic Pickup (R22 only)	O	1
	MT121-1	Bracket – Magnetic Pickup (R22 only)	X	1
19	13842	Carrying Case – Vibrex 2000	O	1
20	12900	Photocell	O	1
21	9076	Operation/Maintenance Manual	O	1
22	13841-6	User Guide – Vibrex 2000/2000 Plus	O	1
23	610-453	Video – Vibrex 2000	O	1
24	13A	Converter – 12V DC to 24V DC (Chadwick part no.; not included, not shown.)	X	A/R

NOTES

Intentionally Blank