

CHAPTER 10
PARKING AND STORAGE

<i>Figure</i>	<i>Title</i>	<i>Page</i>
10-1	Main Rotor Blade Tie-Downs	10.0
10-3	Cabin Cover	10.2
10-5	Tie-Down Installation	10.4
10-7	Hardpoint Hinge and Tie-Down Ring Installations	10.6
10-9	Mariner Accessories	10.8

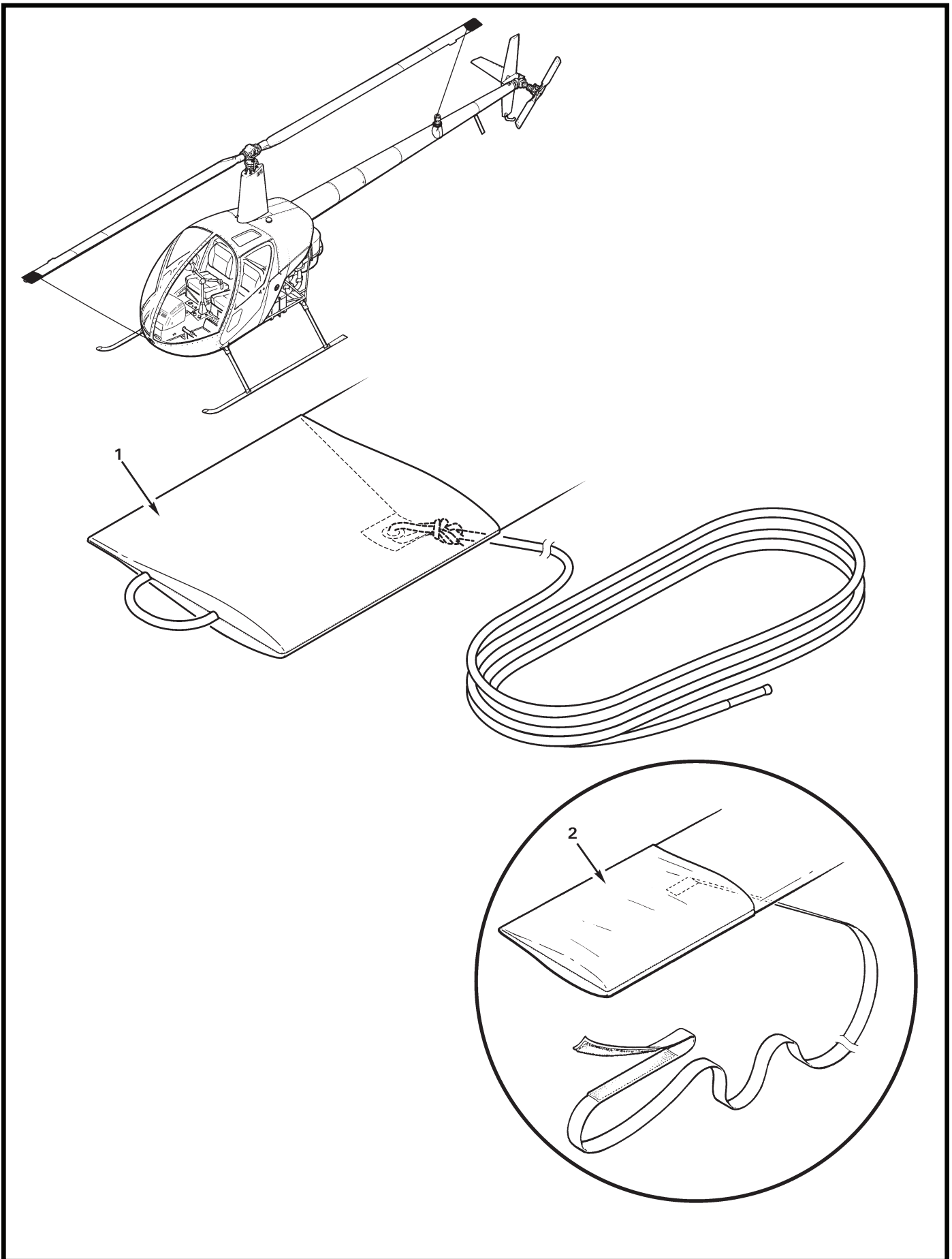


FIGURE AND INDEX NUMBER	PART NUMBER	DESCRIPTION	PARTS AVAIL	QTY PER ASSY
10-1-1	MT290-1	<p style="text-align: center;">MAIN ROTOR BLADE TIE-DOWNS</p> <p>Main Rotor Blade Tie-Down (revision "H" and subsequent, nylon rope)</p>	X	2
	MT290-1	<p>Main Rotor Blade Tie-Down (Ref, revision "G" and prior, nylon webbing with hook-and-loop tape.)</p>	O	2
NOTES				

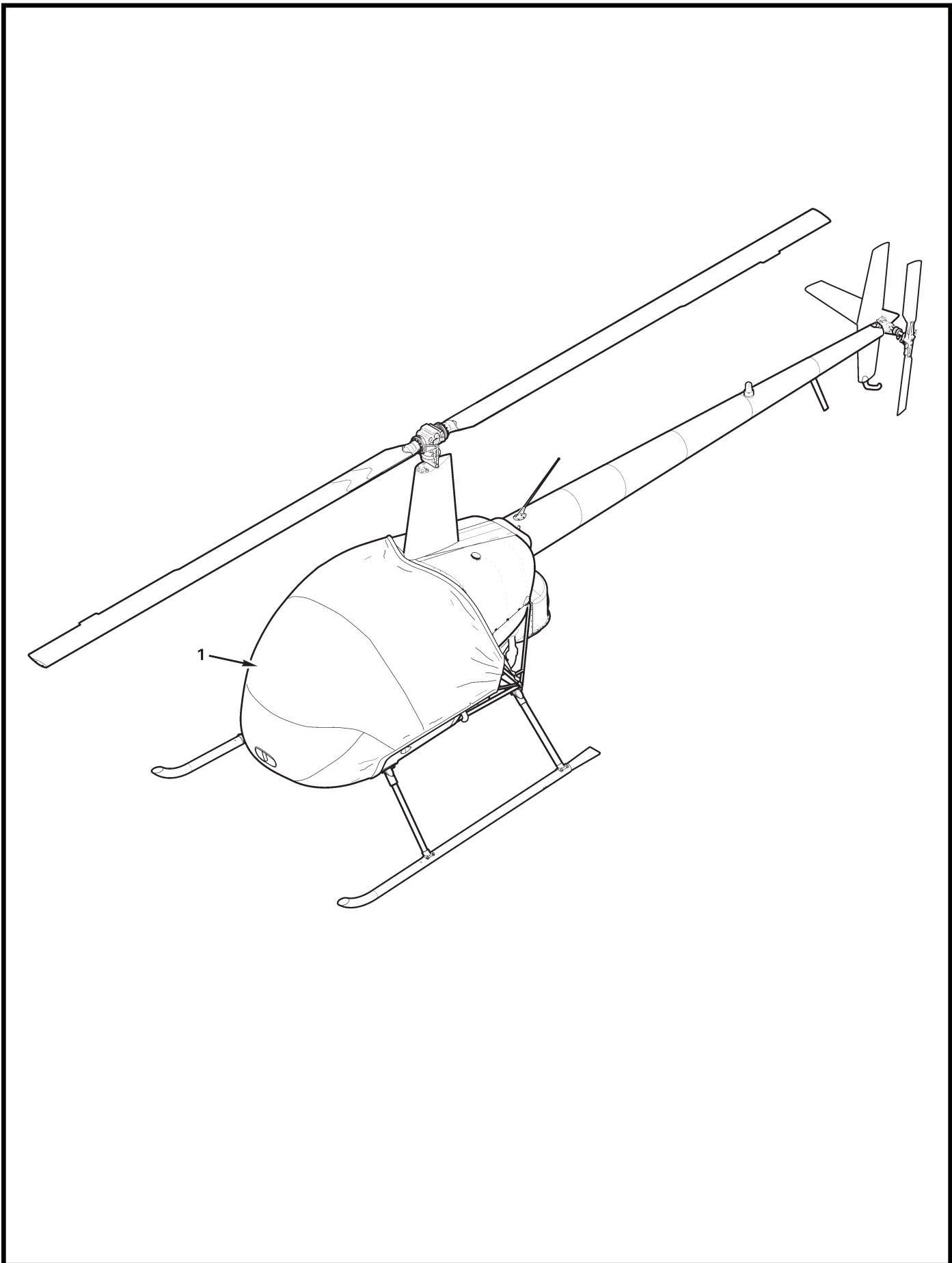


FIGURE AND INDEX NUMBER	PART NUMBER	DESCRIPTION	PARTS AVAIL	QTY PER ASSY
10-3-1	BCC-R22-000	<p style="text-align: center;">CABIN COVER</p> Cover – Windshield	X	1
	BCC-R22-700	Cover – Tuna Boat (Includes extended windshield cover, main rotor blade covers, tail rotor cover, main rotor hub cover, and engine cover. Not shown.)	X	1
NOTES				

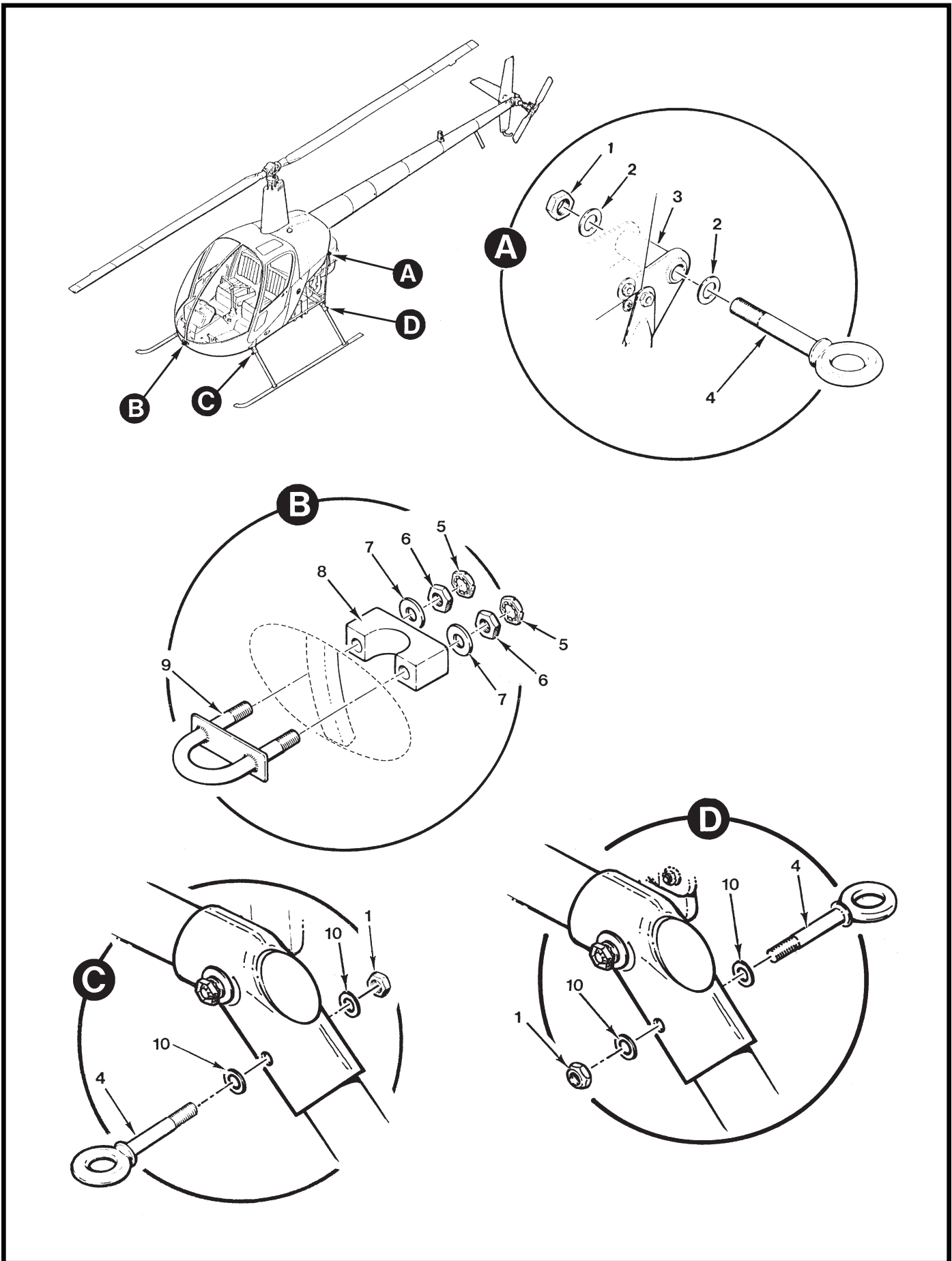


FIGURE AND INDEX NUMBER	PART NUMBER	DESCRIPTION	PARTS AVAIL	QTY PER ASSY
TIE-DOWN INSTALLATION				
10-5-1	21FKF-616	Nut (or 27FKF-616)	X	4
2	NAS1149F0663P	Washer	X	4
3	A047-1	Upper Frame Assembly (Ref, see also Figure 53-9)		
4	A964-2	Eyebolt	X	4
5	B330-16	Palnut	X	2
6	AN316C5R	Nut	X	2
7	NAS1149F0532P	Washer	X	2
8	A969-4	Brace	X	1
9	A969-5	U-Bolt Assembly	X	1
10	NAS1149F0632P	Washer	X	A/R
* * *				
11	B124-2	Tie-Down – Field Installation (For R22s with A020-2 Frame Assembly. Includes items 1, 4, 5, 6, 7 [2], 8, 9, and 10 [8].)	X	1
NOTES				

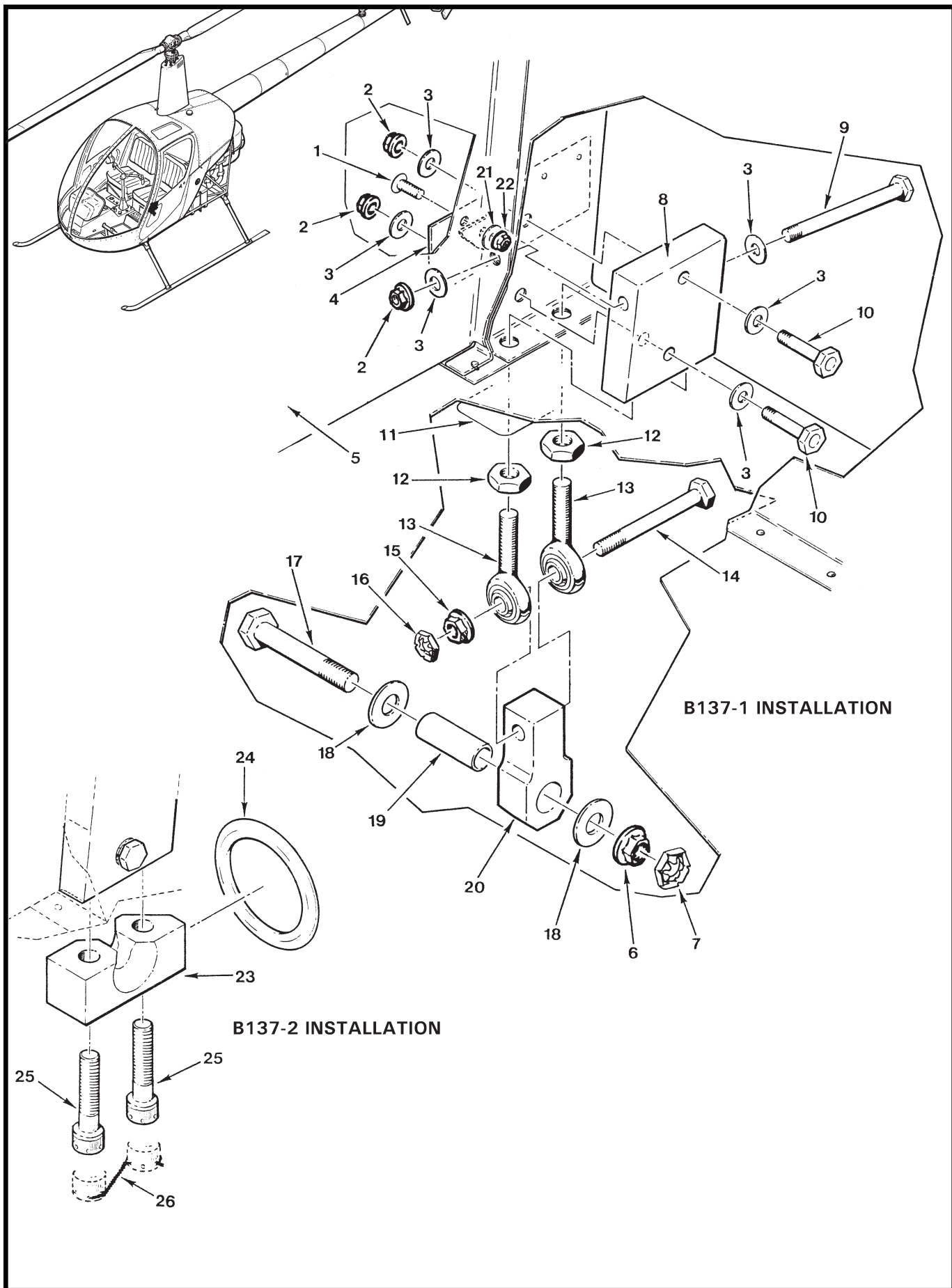


FIGURE AND INDEX NUMBER	PART NUMBER	DESCRIPTION	PARTS AVAIL	QTY PER ASSY
		HARDPOINT HINGE AND TIE-DOWN RING INSTALLATIONS		
10-7-1	MS27039C0806	Screw	X	1
2	D210-3	Nut	X	3
3	NAS1149F0332P	Washer	X	6
4	B135-1	Doubler	X	1
5	A292-1	Keel Panel (Ref)		
6	D210-6	Nut	X	1
7	B330-19	Palnut	X	1
8	B134-2	Block	X	1
9	NAS6603-29	Bolt	X	1
10	NAS6603-9	Bolt	X	2
11	A654-55	Decal (load limit)	X	1
12	AN316-5R	Nut	X	2
13	A101-4	Rod End	X	2
14	NAS6604-24	Bolt	X	1
15	D210-4	Nut	X	1
16	B330-13	Palnut	X	1
17	NAS6606-17	Bolt	X	1
18	A214-1	Washer	X	2
19	B139-1	Journal	X	1
20	B136-2	Support	X	1
21	NAS1149FN816P	Washer	X	1
22	MS21042L08	Nut	X	1
23	B253-1	Anchor	X	1
24	3779T43	Ring	X	1
25	NAS1351-5H-20P	Cap Screw	X	2
26	MS20995C32	0.032-inch dia Safety Wire	X	A/R
		* * *		
27	MT350-1	Drill Guide (not shown.)	X	1
28	M39-0630-10	Clip (Hole plug; install when not in use. Not shown.)	X	2

NOTES

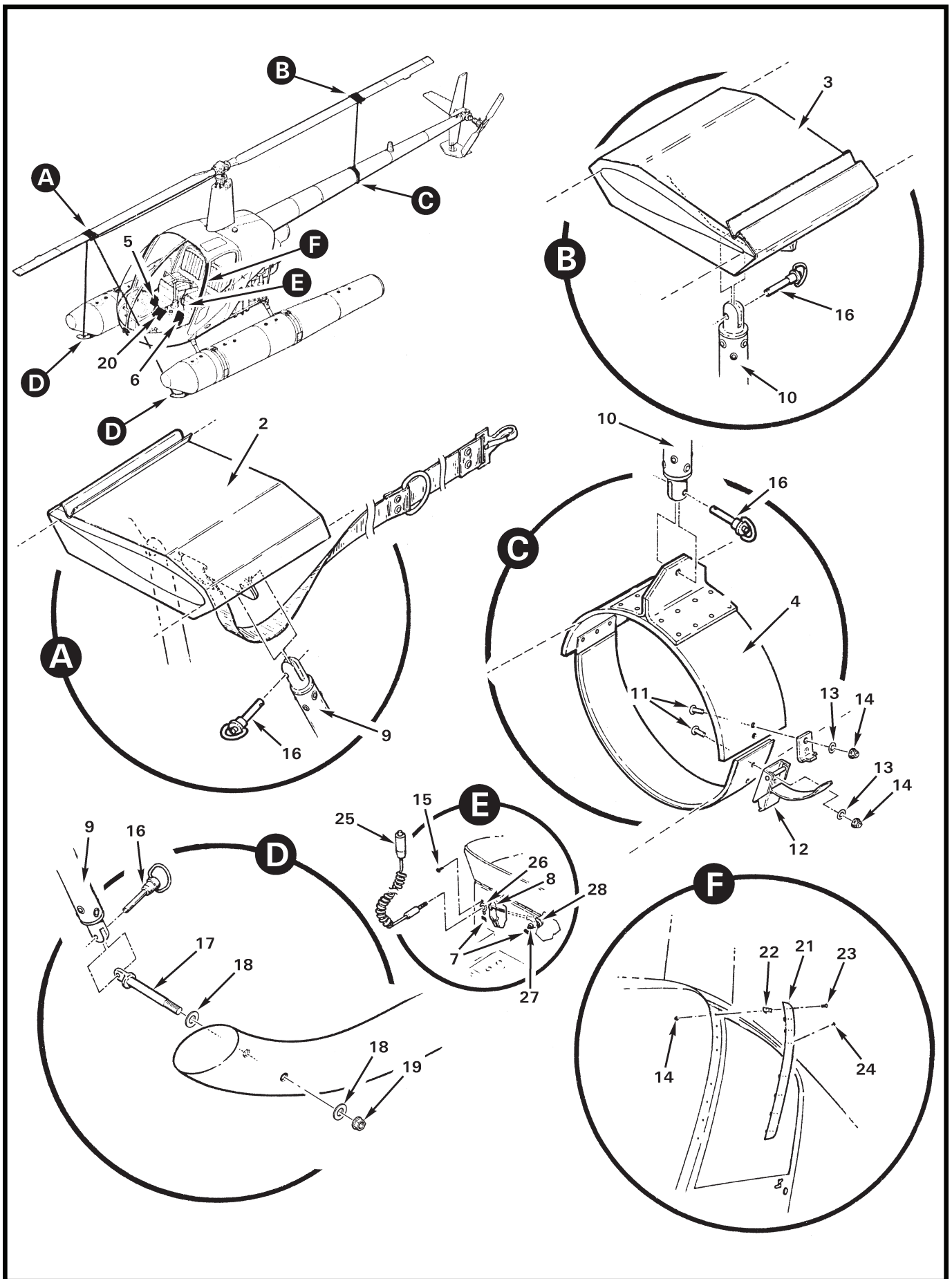


FIGURE AND INDEX NUMBER	PART NUMBER	DESCRIPTION	PARTS AVAIL	QTY PER ASSY
MARINER ACCESSORIES				
10-9-1	MT349-1	Main Rotor Blade Support Assembly (includes MT349-2 and MT349-3 support assemblies)	X	1
	MT349-2	Support Assembly – Aft (Incl items 3, 4, 10, and 16)	X	1
	MT349-3	Support Assembly – Forward (Incl items 2, 9, and 16)	X	1
2	MT346-1*	Cradle Assembly (forward blade)	X	1
3	MT346-2*	Cradle Assembly (aft blade)	X	1
4	MT348-1*	Clamp Assembly (Incl items 11 thru 14)	X	1
5	363X*	Vega Radar Transponder	O	1
6	IC-3230A*	ICOM 2 Meter FM Transceiver	O	1
7	A654-86	Decal – “Transmit”	X	2
8	MS25171-2S	Nipple	X	1
9	MT347-5*	Strut Assembly	X	2
10	MT347-4*	Strut Assembly	X	1
11	MS27039C0806	Screw	X	3
12	97-51-215-12	Latch (includes lug)	X	1
13	NAS1149FN816P	Washer	X	3
14	MS21042L08	Nut	X	20
15	MS35206-215	Screw	X	2
16	92384A034	Pin	X	6
17	B218-1	Eyebolt (alternate part no. AN44-24A)	X	2
18	NAS1149F0532P	Washer	X	4
19	MS21042L5	Nut	X	2
20	IC M55*	ICOM Marine VHF Transceiver (or IC M56*)	O	1
	B225	Face – Avionics (Ref)		
21	B228-1*	Wind Deflector (LH or RH)	X	2
22	B228-2*	Angle	X	16
23	MS27039C0808	Screw	X	16
24	MS20470AD4	Rivet (to attach angle)	X	32
25	B121-1*	Remote Transmit Switch	X	1
26	TJ-120	Jack	X	1
27	B227-2	Switch	X	1
28	MS25171-1S	Nipple	X	1

NOTES * Tuna spotter accessory.

Intentionally Blank