

CHAPTER 10
PARKING AND STORAGE

<i>Figure</i>	<i>Title</i>	<i>Page</i>
10-1	Main Rotor Blade Tie-Downs	10.0
10-3	Helicopter Cabin Covers	10.2
10-5	Hardpoint Hinge and Tie-Down Ring Installations	10.4
10-7	Main Rotor Blade Support Installation	10.6
10-9	Cover Assembly – Exhaust	10.8

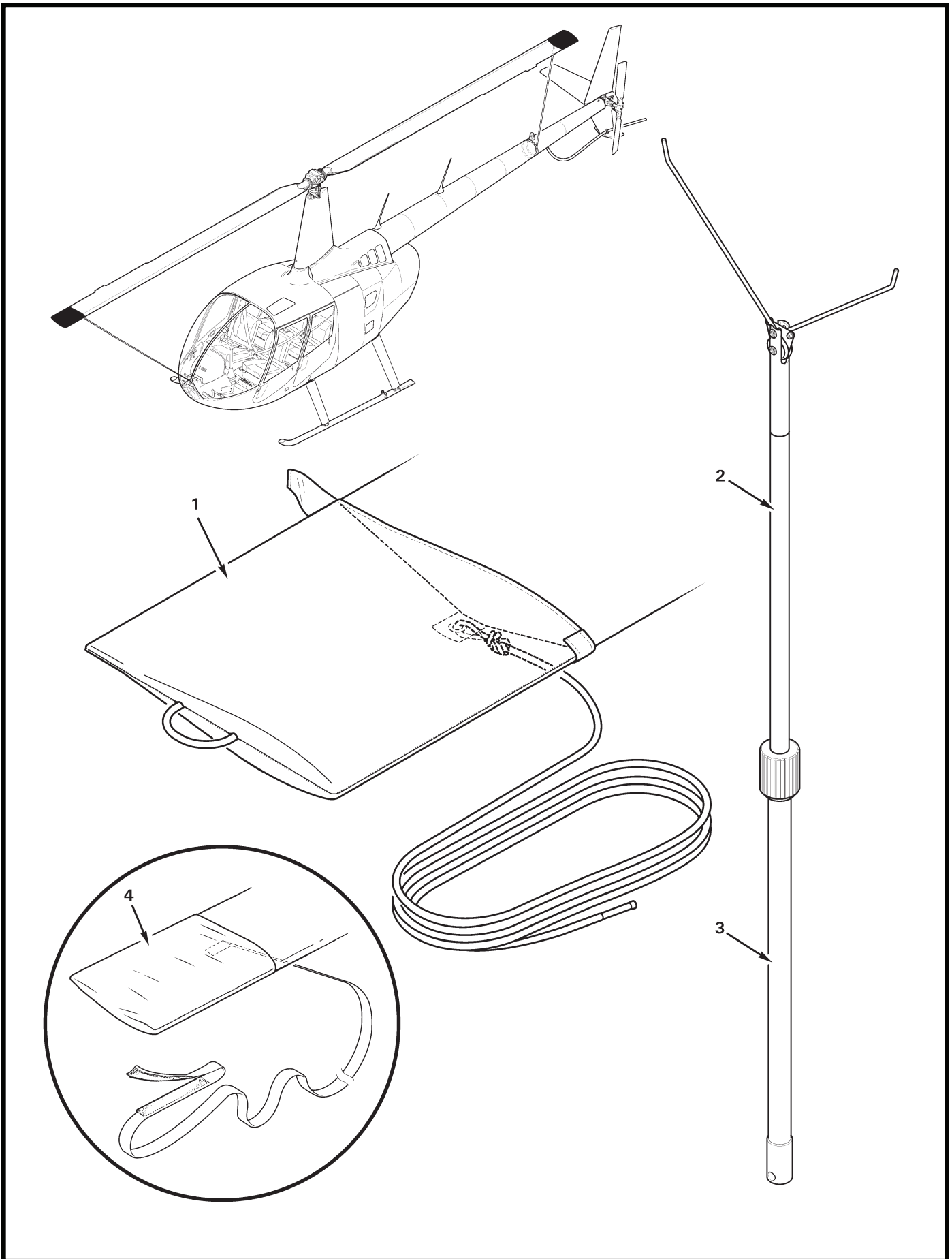


FIGURE AND INDEX NUMBER	PART NUMBER	DESCRIPTION	PARTS AVAIL	QTY PER ASSY
MAIN ROTOR BLADE TIE-DOWNS				
10-1-1	MT290-3	Main Rotor Blade Tie-Down (Revision "H" and subsequent, nylon rope. Set of two.)	X	1
	2 MT570-1	Main Rotor Blade Tie-Down Installation Tool (Incl item 3)	X	1
	3 7743T61	Extension (telescopic)	X	1
4	MT290-3	Main Rotor Blade Tie-Down (Revision "G" and prior, nylon webbing with hook and loop tape; no longer available.)		
NOTES				

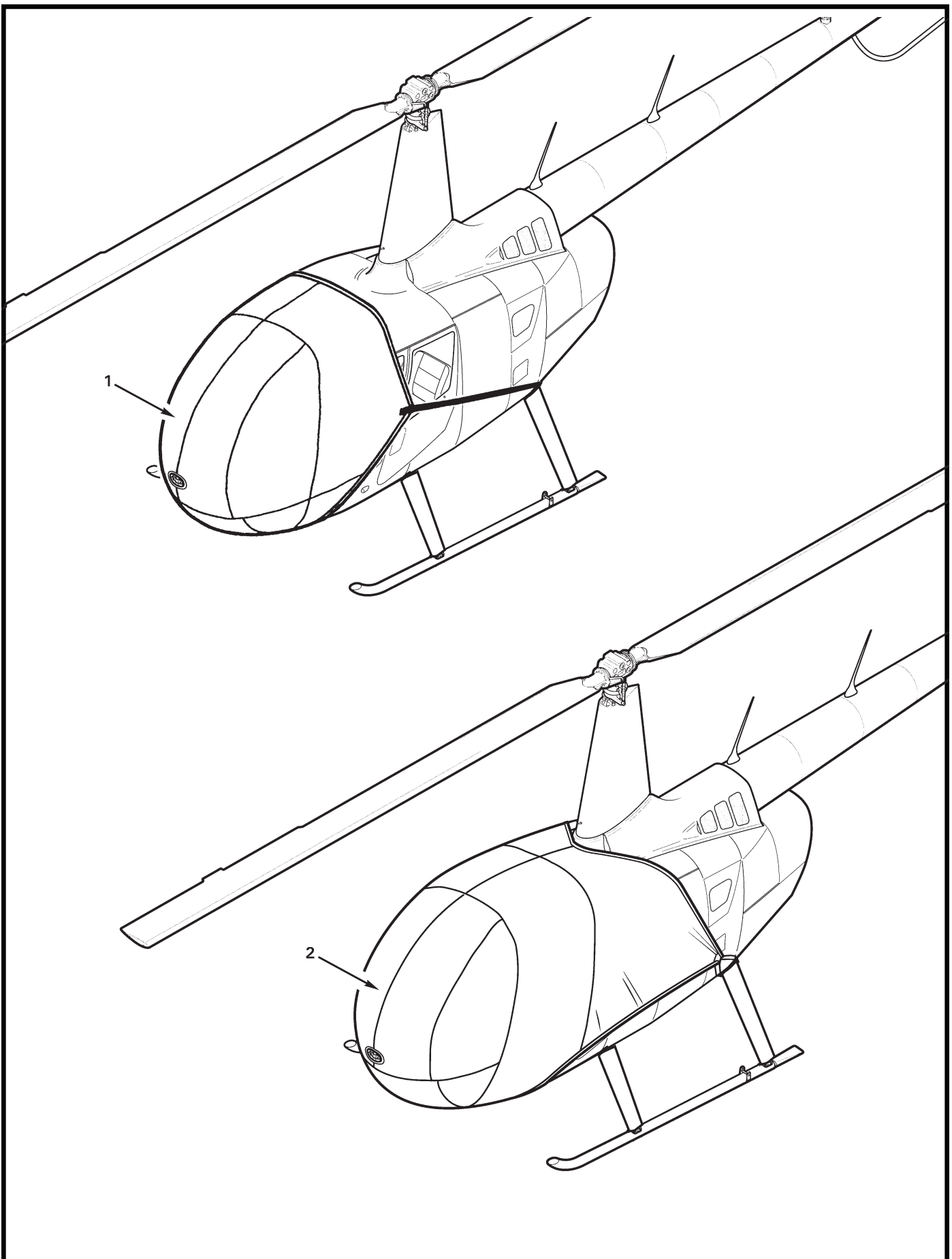


FIGURE AND INDEX NUMBER	PART NUMBER	DESCRIPTION	PARTS AVAIL	QTY PER ASSY
HELICOPTER CABIN COVERS				
10-3-1	R66-001	Bubble Cover	X	1
2	R66-000	Full Cover (optional)	X	1
NOTES				

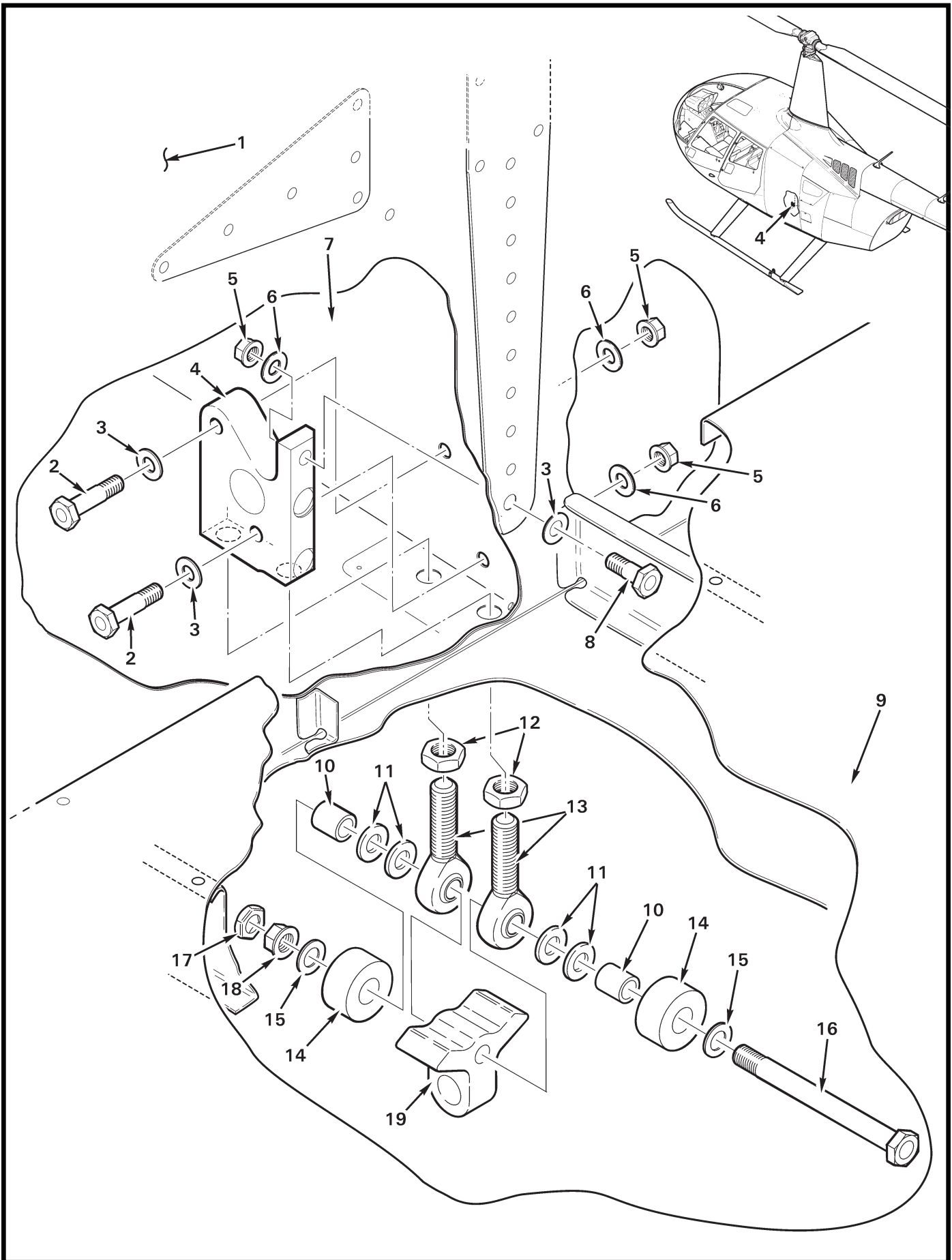


FIGURE AND INDEX NUMBER	PART NUMBER	DESCRIPTION	PARTS AVAIL	QTY PER ASSY
HARDPOINT HINGE AND TIE-DOWN RING INSTALLATIONS				
10-5-1	G259-1	Bulkhead Panel (Ref)		
2	NAS6604-12	Bolt	X	2
3	NAS1149F0432P	Washer	X	3
4	G134-1	Block	X	1
5	MS21042L4	Nut	X	3
6	NAS1149F0463P	Washer	X	3
7	F292-1	Keel Panel (LH, Ref)		
8	NAS6604-6	Bolt	X	1
9	G241-1	Floor (Ref, baggage compartment)		
10	C130-49	Spacer	X	2
11	MS20002-5	Washer	X	4
12	AN316-6R	Nut	X	2
13	D173-2	Rod End	X	2
14	D136-3	Bumper	X	2
15	NAS1149F0532P	Washer	X	2
16	NAS6605-48	Bolt	X	1
17	B330-16	Palnut	X	1
18	MS21042L5	Nut	X	1
19	D136-2	Support	X	1

NOTES

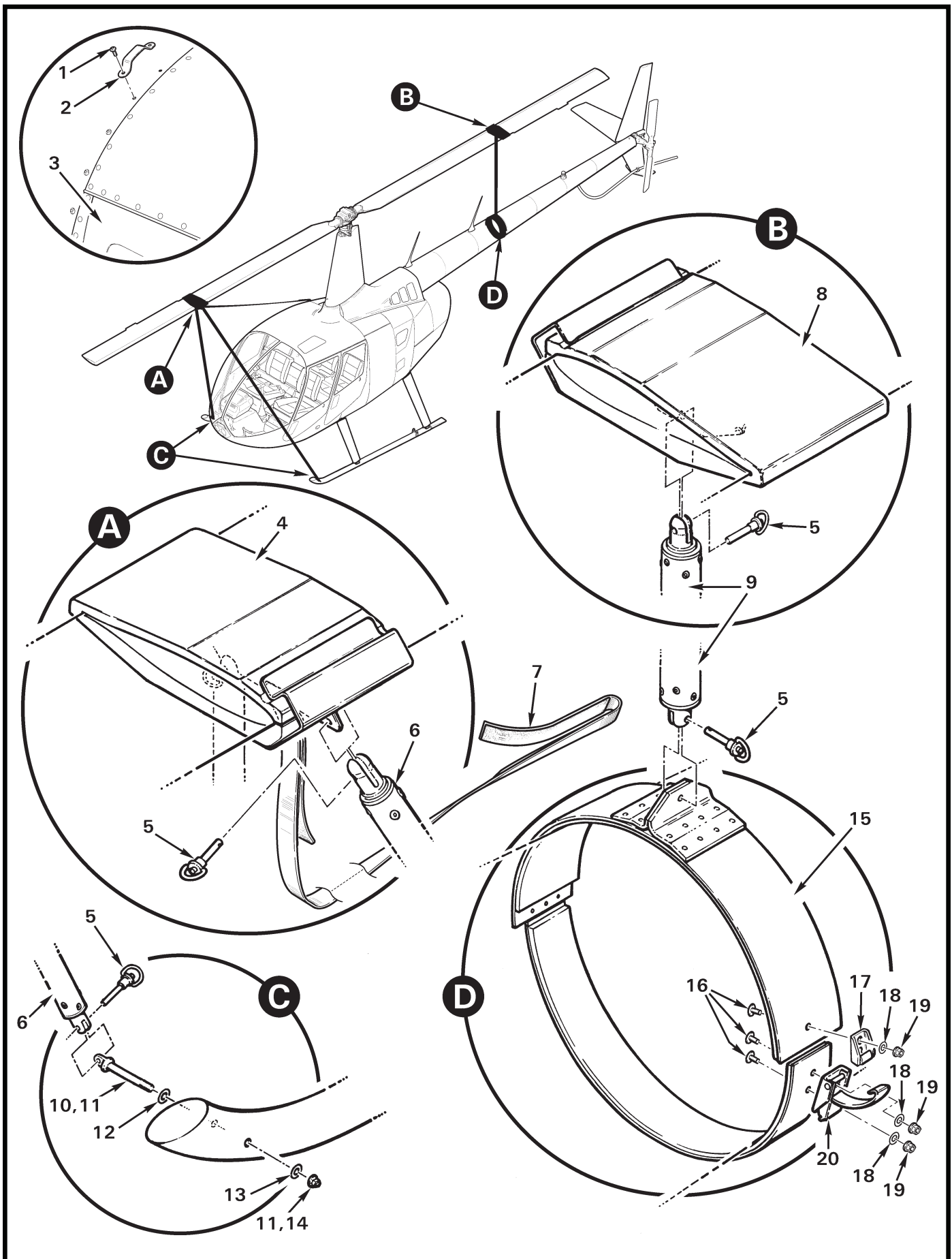


FIGURE AND INDEX NUMBER	PART NUMBER	DESCRIPTION	PARTS AVAIL	QTY PER ASSY
MAIN ROTOR BLADE SUPPORT INSTALLATION				
10-7-1	MS27039C0807	Screw	X	2
2	D127-3	Cleat	X	1
3	C026	Door (aft RH, Ref)		
4	MT564-1	Cradle Assembly (forward)	X	1
5	92384A034	Pin	X	6
6	MT347-8	Strut Assembly (forward)	X	2
7	MT568-3	Strap Assembly	X	1
8	MT564-2	Cradle Assembly (aft)	X	1
9	MT347-7	Strut Assembly (aft)	X	1
10	B218-2	Eye Bolt (install using item 11)	X	2
11	B270-1	Sealant	X	A/R
12	NAS1149F0532P	Washer (under head)	X	2
13	NAS1149F0563P	Washer (under nut)	X	2
14	B340-13	Nut (install using item 11)	X	2
15	MT348-7	Clamp Assembly (Incl items 16 thru 20)	X	1
16	AN525-832R6	Screw	X	3
17	—	Lug	O	1
18	NAS1149FN816P	Washer	X	3
19	MS21042L08	Nut	X	3
20	97-50-215-12	Latch (Incl item 17)	X	1

NOTES

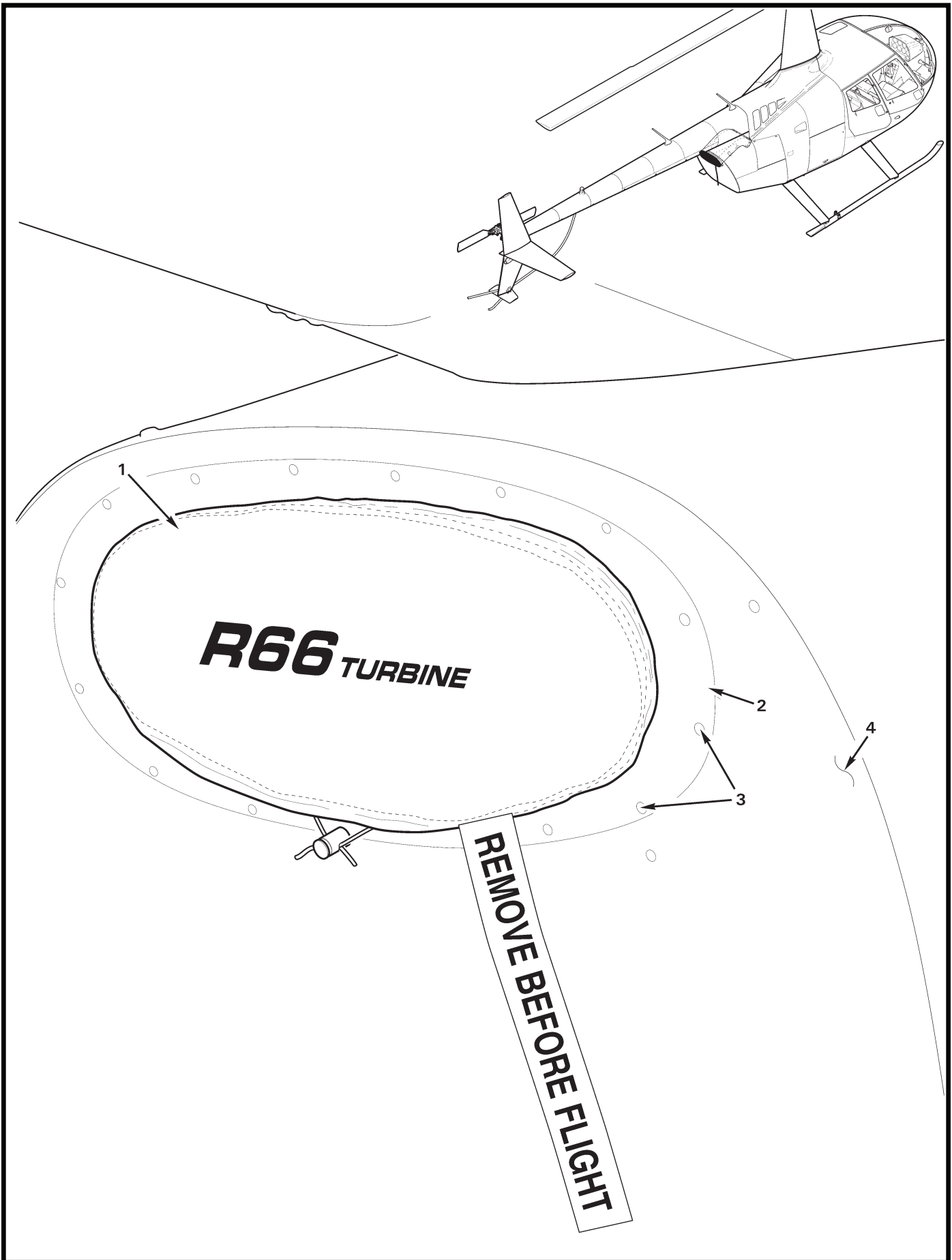


FIGURE AND INDEX NUMBER	PART NUMBER	DESCRIPTION	PARTS AVAIL	QTY PER ASSY
COVER ASSEMBLY – EXHAUST				
10-9-1	MT293-1	Cover Assembly	X	1
	2 G039-1	Ring (Ref)		
	3 MS20470AD3	Rivet (Ref)		
	4 G040	Aft Engine Cowling (Ref)		
NOTES				

Intentionally Blank