

CHAPTER 15  
FURNISHINGS

<u>Section</u>	<u>Title</u>	<u>Page</u>
15.000	Description . . . . .	15.1
15.100	Seat Harnesses . . . . .	15.3
15.110	Four-Point Harness Assembly . . . . .	15.4
15.200	Seat and (Aft) Seat Back Assemblies . . . . .	15.5
15.210	Back Rest Assembly Replacement . . . . .	15.5
15.300	Carpet . . . . .	15.7
15.310	Forward Cabin Floor Carpet . . . . .	15.7
15.320	Adhered Carpet . . . . .	15.7
15.400	Insulation and Headliner Replacement . . . . .	15.7
15.500	Miscellaneous Furnishings . . . . .	15.8
15.510	Pilot's Operating Handbook (POH) Strap Replacement	15.8
15.520	License Holder Replacement . . . . .	15.8
15.530	Map Pocket Replacement . . . . .	15.8
15.600	Emergency Equipment . . . . .	15.8
15.610	Emergency Locator Transmitter (ELT) . . . . .	15.8
15.620	Fire Extinguisher . . . . .	15.10

Intentionally Blank

CHAPTER 15  
FURNISHINGS

15.000 Description

*The seats are not adjustable but later pilot-side pedals are adjustable. Each helicopter is supplied with a cushion which can be placed behind the pilot to position him forward. This allows shorter pilots to reach the pedals, the cyclic stick in its most forward position, and the controls on the center console.*

*Each seat is equipped with a combined seat belt and inertia reel shoulder strap. The inertia reel is normally free but will lock if there is sudden movement as would occur in an accident.*

*Four-point harnesses are optional for the front seats. Later four-point harnesses are equipped with webbing stops located above the inertia reels. The stops limit retraction of the harnesses and should be adjusted such that the harnesses are comfortable without excessive slack.*

*A baggage compartment is located under each seat. Seat cushions hinge forward for access to these compartments. Loading instructions are located on a placard inside each baggage compartment and in the Pilot's Operating Handbook.*

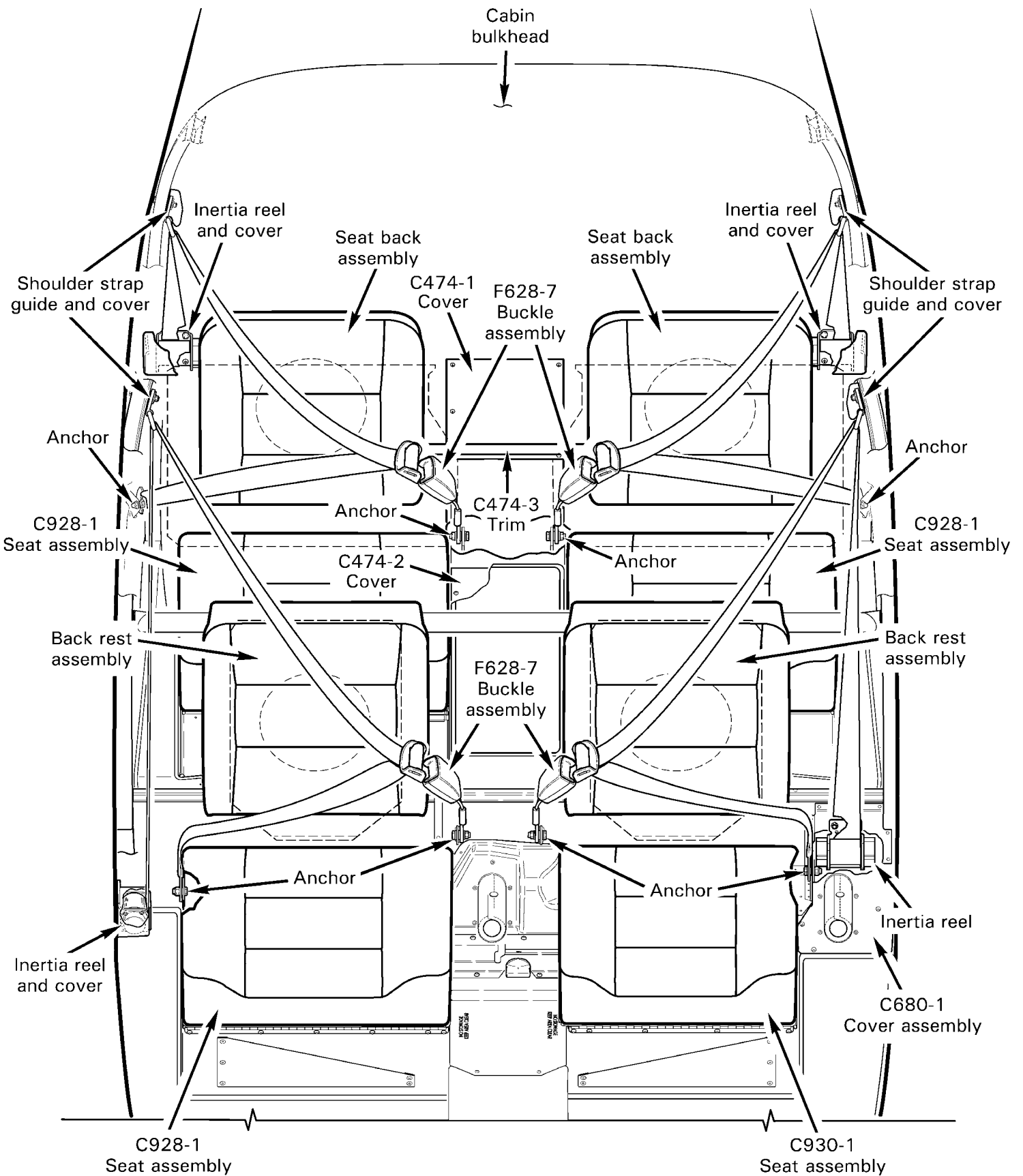


FIGURE 15-1 SEAT HARNESSES, SEAT ASSEMBLIES, AND BACK RESTS

### 15.100 Seat Harnesses

#### **A. Seat Harness Removal**

1. Refer to Figure 15-1. As required, remove C680-1 (removable collective) cover assembly. Hinge seat assemblies forward.
2. Remove hardware securing F628-7 buckle assemblies to inboard anchors, and hardware securing lap belts to outboard anchors.
3. Remove shoulder strap guide covers, then remove hardware securing guides to door frames.
4. Remove inertia reel covers, then remove hardware securing reels to cabin. Remove seat harnesses.

#### **B. Seat Harness Installation**

1. Refer to Figure 15-1. Install hardware securing inertia reels to cabin. Install reel covers.
2. Install hardware securing shoulder strap guides to door frames. Orient bolt head flats parallel to door post within 5°. Standard torque fasteners per Section 1.320. Install guide covers.
3. a. Rotate F628-7 buckle assemblies 35°-40° forward and install hardware securing buckle assemblies to inboard anchors. Standard torque fasteners per Section 1.320.  
b. Install hardware securing C628-4 buckle assemblies to inboard anchors. Standard torque fasteners per Section 1.320. Using a calibrated spring scale, measure force required to rotate buckle assembly at buckle slot about its fastener. Force required to rotate buckle is 1.5 - 2.5 lb. If force is less than 1.5 lb., disassemble buckle fastener, replace A041-6 spring washer or lap (shorten) A130-52 spacer as required, and repeat step.

**CAUTION**

Verify no sharp edges or burrs on buckle assembly locking bar or latch plate.

4. Ensure belts are not twisted; install hardware securing lap belts to outboard anchors. Standard torque fasteners per Section 1.320.
5. If removed, install C680-1 (removable collective) cover assembly. Hinge seat assemblies aft.

15.110 Four-Point Harness Assembly**NOTE**

Four-point harness installation for front seats is optional equipment.

**A. Removal**

1. As required, remove C680-1 (removable collective) cover assembly. Hinge seat assemblies forward.
2. Remove hardware securing four-point harness assembly lap belts to inboard and outboard anchors.
3. Remove hole plugs secured to forward side of back rest panels.
4. Remove inertia reel covers, then remove hardware securing reels to cabin. Pull connector and buckle assemblies through support tube padding cover strap and remove harnesses.

**B. Installation**

1. Install hardware securing four-point harness assembly inertia reels to cabin. Install reel covers, and hole plugs in forward side of back rest panels. Verify security.
2. Pull connector and buckle assemblies through support tube padding cover strap.
3. Ensure belts are not twisted; install hardware securing lap belts to outboard anchors. Standard torque fasteners per Section 1.320. Verify security.
4. If removed, install C680-1 (removable collective) cover assembly. Hinge seat assemblies aft.

### 15.200 Seat and (Aft) Seat Back Assemblies

#### **A. Seat Assembly Removal and Installation**

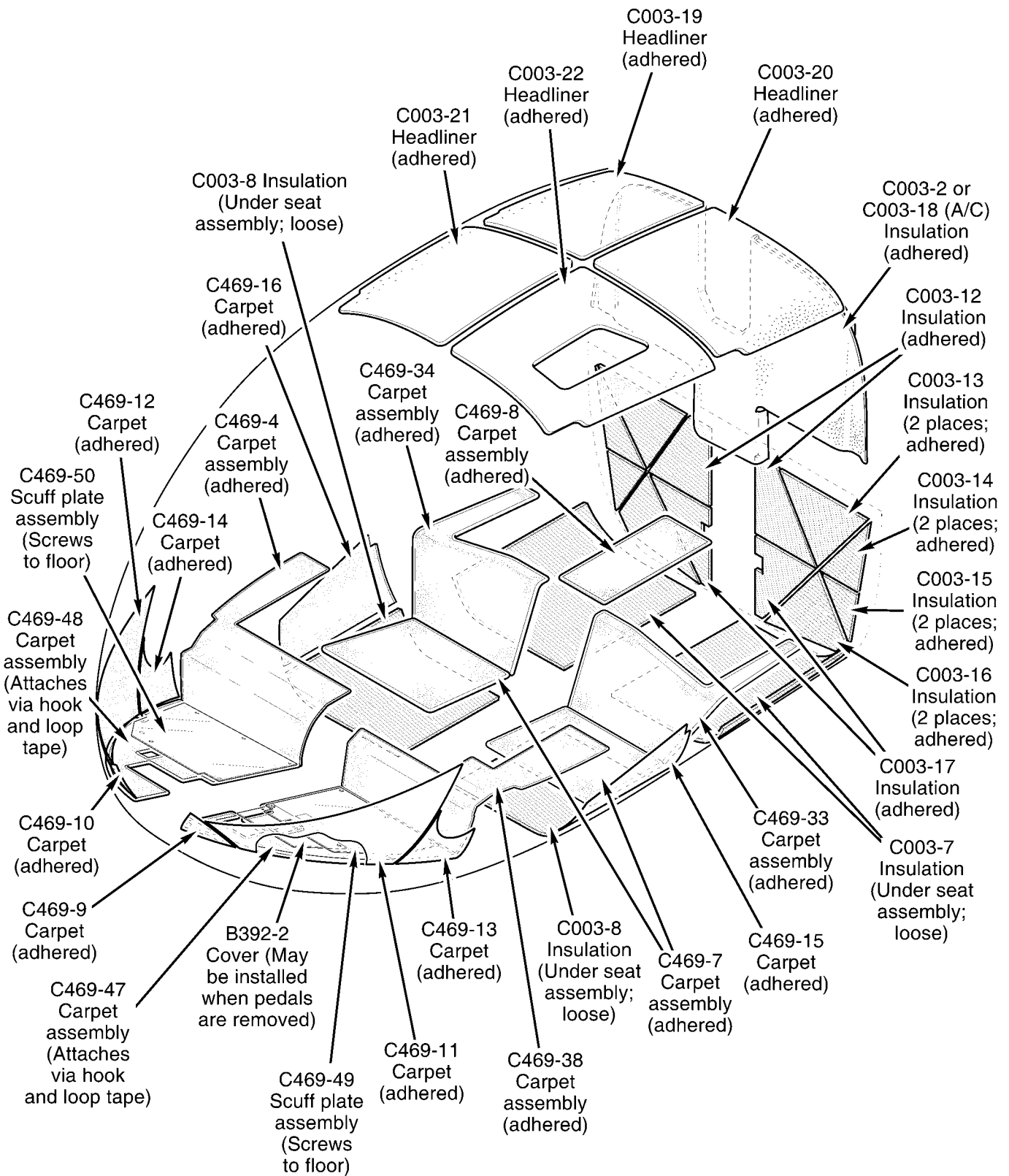
1. Refer to Figure 15-1. Remove hardware securing seat assembly forward hinge to seat box. Remove seat assembly.
2. Install seat assembly, and install hardware securing seat assembly forward hinge to seat box. Verify security.

#### **B. (Aft) Seat Back Assembly Removal and Installation**

1. Refer to Figure 15-1. Remove hardware securing C474-1 cover, C474-3 trim, and C474-2 cover to cabin. Remove covers and trim.
2. Remove hardware securing (aft) seat back assembly to cabin bulkhead. Remove seat back assembly.
3. Install (aft) seat back assembly, and install hardware securing seat back assembly to cabin bulkhead. Verify security.
4. Install C474-1 cover, C474-3 trim, and C474-2 cover, and install hardware securing covers and trim to cabin. Verify security.

### 15.210 Back Rest Assembly Replacement

1. Aft Back Rest: Remove seat back assembly per Section 15.200.
2. Refer to Figure 15-1. Drill out rivets securing back rest assembly cushion to back rest panel and remove cushion. Deburr holes.
3. Remove old adhesive residue from cabin support tube with plastic wedge. Wipe surface with a clean cloth, wet with acetone.
4. Center and straighten new cushion on back rest panel. Match drill cushion panel through back rest panel #30 holes and deburr holes. Clean up debris.
5. Attach cushion to back rest panel with rivets. Verify security.
6. a. Forward Back Rest: Apply B270-18 adhesive to underside of cushion flap and to mating portion of support tube. Pull flap around tube, smooth wrinkles, and trim excess flap. Remove excess adhesive prior to curing.  
b. Aft Back Rest: Install back rest assembly per Section 15.200.



**FIGURE 15-2 CARPET AND INSULATION**



15.300 Carpet15.310 Forward Cabin Floor Carpet**A. Removal and Installation**

1. Refer to Figure 15-2. Remove adjustable and/or removable pedals, as required. If installed, remove hardware securing B392-3 cover to cabin floor and remove cover.
2. Remove hardware securing scuff plates to floor and remove scuff plates. Detach carpet assembly from floor via hook and loop tape (Velcro).
3. Install carpet assembly, and attach carpet to floor via hook and loop tape.
4. Install scuff plates, and install hardware securing scuff plates to floor.
5. Install adjustable and/or removable pedals, as required. As required, install B392-3 cover, and install hardware securing cover to floor.

15.320 Adhered Carpet**A. Removal and Installation****WARNING**

**Ensure adequate ventilation when using solvents and adhesives.**

**CAUTION**

Use caution when removing adhered carpet if carpet is intended for reuse.

1. Refer to Figure 15-2. Starting at corners, gently peel back carpet by hand, or with a plastic wedge or putty knife. Dampen old adhesive with Dupont Prep-Sol (or equivalent) to facilitate removal.
2. Verify proper carpet fit and trim as required (do not trim carpet welt). Apply B270-8 adhesive to bonding surface and carpet backing. Press carpet to surface, smooth wrinkles, and remove excess adhesive prior to curing.

15.400 Insulation and Headliner Replacement**WARNING**

**Ensure adequate ventilation when using solvents and adhesives.**

**NOTE**

Use caution not to damage surface underneath insulation when removing insulation with tools. Insulation is installed with adhesive, except under seat assemblies. Order new insulation as required; reuse of removed insulation is not recommended.

1. Refer to Figure 15-2. Peel off insulation by hand. Using a plastic wedge or putty knife, carefully remove residual insulation and old adhesive. Wipe surface with a clean cloth, wet with acetone.
2. Verify proper insulation fit and trim as required. Apply B270-8 adhesive to bonding surface and insulation backing. Press insulation to surface, smooth wrinkles, and remove excess adhesive prior to curing.

### 15.500 Miscellaneous Furnishings

#### 15.510 Pilot's Operating Handbook (POH) Strap Replacement

1. Remove Pilot's Operating Handbook (POH). Drill out rivets securing POH retaining strap to cabin and remove strap. Deburr holes and clean up debris.
2. Cleco new retaining strap to cabin. Progressively remove clecos and install rivets. Verify security. Install POH.

#### 15.520 License Holder Replacement

1. Remove aircraft documents from license holder. Drill out rivets securing license holder to cabin and remove license holder. Deburr holes and clean up debris.
2. Cleco new license holder to cabin. Progressively remove clecos and install rivets. Verify security. Insert aircraft documents into license holder, and tuck flap under windshield frame.

#### 15.530 Map Pocket Replacement

1. As required, remove seat assembly per Section 15.200.
2. Drill out rivets securing map pocket to seat box and remove pocket, washers, and retaining strips. Deburr holes and clean up debris.
3. Fold outboard pocket edge around A913-1 strip, align holes, and cleco to seat box. Fold inboard pocket edge around A913-2 strip, align holes, and cleco to seat box. Trim excess material.
4. Progressively remove clecos and install washers and rivets. Verify security.
5. If removed, install seat assembly per Section 15.200.

### 15.600 Emergency Equipment

#### 15.610 Emergency Locator Transmitter (ELT)

**NOTE**

ELT installation is optional equipment.

*The Emergency Locator Transmitter (ELT) installation consists of a transmitter with internal battery pack, an external antenna, and a remote switch/annunciator. The transmitter is mounted to the upper steel tube frame and is accessible through the center right-side cowl door. The remote switch/annunciator is located left of the cyclic stick.*

*The ELT is operated by a switch on the transmitter and by the remote switch. The transmitter switch has been set in the ARM position at installation and should always be in this position for flight. The remote switch/annunciator is a three position switch with indicator light. This switch should be in the ARMED position for flight. With both switches set to armed, the ELT will begin transmitting when subjected to a high "G" load. When the unit is transmitting, the red indicator light illuminates.*

## 15.600 Emergency Equipment

### 15.610 Emergency Locator Transmitter (ELT; continued)

*Moving the remote switch to ON activates the transmitter. Use the ON position if an emergency landing is imminent and time permits.*

*If the ELT is inadvertently activated, use the momentary RESET & TEST position of the remote switch to stop transmission and reset the unit. The red indicator will extinguish when unit is reset.*

*Register an ELT when first purchased, when contact information changes, or when aircraft ownership, or registration changes. For registration information, visit the COSPAS-SARSAT website at: <http://cospas-sarsat.org>.*

*Kannad 406 AF-Compact ELTs are interchangeable between aircraft. A dongle contains a memory chip that must be programmed with aircraft-specific information prior to installation for the ELT to function. The dongle may be removed and shipped to RHC or a Kannad service center for reprogramming.*

*Refer to ELT Kannad 406 AF-Compact/406 AF-Compact (ER) Installation and Operation Manual for maintenance requirements and procedures. Additional ELT information is available on the RHC website at: <http://www.robinsonhelicopter.com/supportelt.htm>.*

#### NOTE

Do not cut B359-2 releasable, reusable ty-rap.

#### A. ELT Removal and Installation

1. Turn BATTERY switch OFF. Open aft right access door.
2. Disconnect dongle, or wire harness lead, and antenna lead from ELT transmitter.
3. Pull red tab to remove B359-2 ty-rap. Detach hook and loop tape, or unlatch strap, securing transmitter to bracket and remove transmitter.
4. Install ELT transmitter, and attach hook and loop tape, or latch strap, securing transmitter to bracket. Install B359-2 ty-rap and cinch ty-rap until snug without over-tightening. Verify security.
5. Connect dongle, or wire harness lead, and antenna lead to transmitter. Verify security.

#### B. KANNAD ELT Dongle Removal and Installation

1. Turn BATTERY switch OFF. Open aft right access door.
2. Cut and discard ty-raps as required, disconnect A837-10 (dongle) harness assembly from airframe harness at connectors, and from ELT transmitter, and remove A837-10 harness assembly.
3. Connect programmed A837-10 (dongle) harness assembly to airframe harness at connectors, and to ELT transmitter, and install ty-raps as required. Cinch ty-raps until snug without over-tightening, and trim tips flush with heads. Verify security.

15.620 Fire Extinguisher**NOTE**

Fire extinguisher installation is optional equipment.

*Inspect fire extinguisher monthly according to manufacturer's instructions. Maintenance instructions are located on extinguisher bottle. Record inspection and maintenance dates and findings as required.*

**A. Strap and Pocket Assembly Replacement**

1. Detach strap assembly from pocket assembly, and detach pocket assembly straps via hook and loop tape. Remove fire extinguisher.
2. As required, open upper console. If installed, remove hardware securing HID landing light left ballast to left console and secure ballast away from workspace.
3. Drill out rivets securing strap assembly and pocket assembly to cabin or console and remove strap and pocket. Deburr holes and clean up debris.
4. Cleco new strap assembly and pocket assembly to cabin or console. Progressively remove clecos and install washers and rivets. Verify security.
5. If removed, install hardware securing HID landing light left ballast to left console. Verify security. If opened, close upper console.
6. Install fire extinguisher and attach pocket assembly straps around extinguisher via hook and loop tape. Route strap assembly through extinguisher head and attach to pocket assembly via hook and loop tape. Verify security.