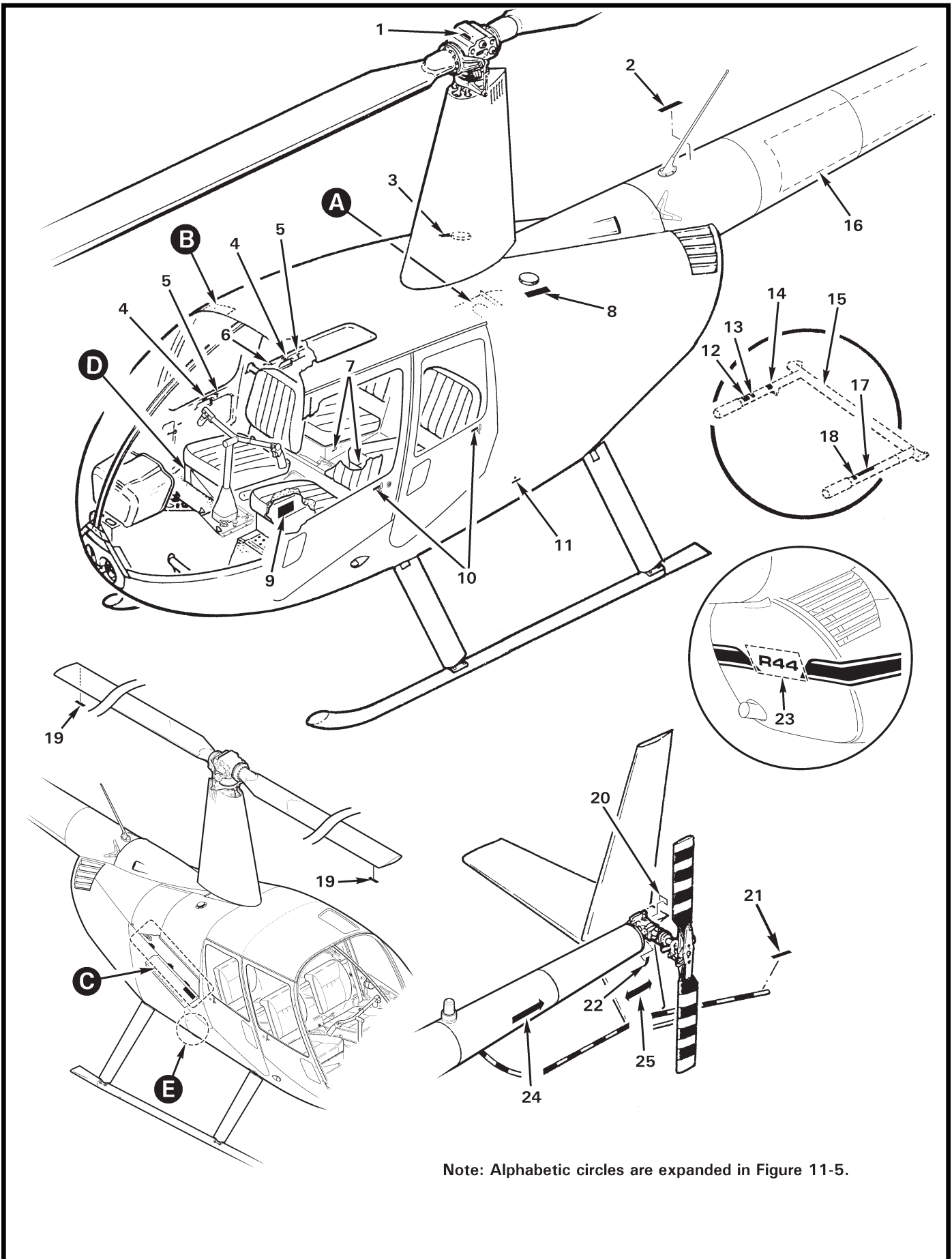


CHAPTER 11

PLACARDS AND MARKINGS

<i>Figure</i>	<i>Title</i>	<i>Page</i>
11-1	Placards and Markings	11.0
11-5	Placards and Markings	11.4
11-7	Placards and Markings (Japanese)	11.6



Note: Alphabetic circles are expanded in Figure 11-5.

FIGURE AND INDEX NUMBER	PART NUMBER	DESCRIPTION	PARTS AVAIL	QTY PER ASSY
PLACARDS AND MARKINGS*				
11-1-1	A654-18	Decal – “Level Here”	X	1
	B841-19	Brazilian Version	X	1
2	C654-13	Decal – Level Instructions	X	1
	B841-45	Brazilian Version	X	1
3	C654-14	Decal – Level Instructions (white letters)	X	1
	B841-46	Brazilian Version (white letters)	X	1
	C654-6	Decal – Fuel Fill Instructions (aux tank)	X	1
	B841-43	Brazilian Version	X	1
	B842-52	Chinese Version	X	1
	B830-39	Russian Version	X	1
4	C654-5	Decal – Fuel Fill Instructions (aux tank; white letters)	X	1
	B841-42	Brazilian Version (white letters)	X	1
	B842-47	Chinese Version (white letters)	X	1
	B830-40	Russian Version (white letters)	X	1
	A654-9	Decal – Door “Open” (LH)	X	2
	B841-14	Brazilian Version	X	2
	B842-12	Chinese Version	X	2
	B830-24	Russian Version	X	2
5	A654-10	Decal – Door “Open” (RH)	X	2
	B841-15	Brazilian Version	X	2
	B842-13	Chinese Version	X	2
	B830-25	Russian Version	X	2
	A654-8	Decal – Door “Latch”	X	4
6	B841-13	Brazilian Version	X	4
	B842-37	Chinese Version	X	4
	B830-33	Russian Version	X	4
	F654-18	Decal – “Push To Lock, Do Not Lock In Flight” (aft doors; replaces C654-20 [obsolete])	X	2
7	B841-60	Brazilian Version	X	2
	B842-51	Chinese Version	X	2
	B830-63	Russian Version (equivalent to C654-20)	X	2
	C654-17	Decal – “Intercom”	X	2

NOTES * Country-specific decals available only to dealers in noted country.

Continues

FIGURE AND INDEX NUMBER	PART NUMBER	DESCRIPTION	PARTS AVAIL	QTY PER ASSY
PLACARDS AND MARKINGS* (Cont'd)				
11-1-8	C654-3	Decal – Fuel Fill Instructions (main tank)	X	1
	B841-40	Brazilian Version	X	1
	B842-48	Chinese Version	X	1
	C654-4	Decal – Fuel Fill Instructions (main tank; white letters)	X	1
9	B841-41	Brazilian Version (white letters)	X	1
	B842-49	Chinese Version (white letters)	X	1
	C654-1	Decal – Baggage Compartment ([1] each compartment)	X	4
	B841-38	Brazilian Version	X	4
10	B842-46	Chinese Version	X	4
	B830-62	Russian Version	X	4
	A654-11	Decal – Door “Open” (LH, black letters)	X	2
	B841-16	Brazilian Version	X	2
	B842-14	Chinese Version	X	2
	B830-24	Russian Version	X	2
	A654-12	Decal – Door “Open” (RH, black letters)	X	2
	B841-17	Brazilian Version	X	2
	B842-15	Chinese Version	X	2
	B830-25	Russian Version	X	2
11	C654-7	Decal – “Static Port”	X	2
	B830-67	Russian Version	X	2
	C654-8	Decal – “Static Port” (white letters)	X	2
	B830-67	Russian Version (white letters)	X	2
12	A654-79	Decal – “On-Off, Throttle Open” (governor switch, ship S/N 0001 thru 9999)	X	1
	D682-8	Decal – “On-Off/Start, Throttle Open” (governor/engine starter switch, ship S/N 10001 and higher)	X	1
13	A654-6	Decal – “Throttle Open” (earlier R44s, this location)	X	1
14	A654-7	Decal – “Friction Increase”	X	1
15	C012-2	Collective Stick Assembly (Ref, see Figure 67-21)		
16	R5691	Decal – Registration Letters/Numbers	X	A/R
	R7934	Decal – Registration Letters/Numbers (stencil set, black or white)	X	1
17	A654-21	Decal – “No Stowage...”	X	2
	B841-21	Brazilian Version	X	4
	B842-42	Chinese Version	X	4
	B830-50	Russian Version	X	4

NOTES * Country-specific decals available only to dealers in noted country.

Continues

FIGURE AND INDEX NUMBER	PART NUMBER	DESCRIPTION	PARTS AVAIL	QTY PER ASSY
PLACARDS AND MARKINGS* (Cont'd)				
11-1-18	A654-6	Decal – “Throttle Open”	X	1
19	A654-25	Decal – “Never Pull Down”	X	2
	B841-23	Brazilian Version	X	2
	B842-18	Chinese Version	X	2
	B830-61	Russian Version	X	2
20	F654-13	Decal (tail rotor gearbox fill and oil specification)	X	1
21	C654-18	Decal – “No Hand Hold”	X	1
	B841-47	Brazilian Version	X	1
	B830-85	Russian Version	X	1
22	110-2	Telatemp (temperature recorder, 140° – 190°F)	X	1
23	R8216	Decal – “R44” (aft cowling, stencil)	X	1
24	A654-3	Decal – “Danger”	X	2
	B841-39	Brazilian Version	X	2
	B842-21	Chinese Version	X	2
	B830-23	Russian Version	X	2
25	C654-2	Decal – “Danger”	X	2
	B841-12	Brazilian Version	X	2
	B842-11	Chinese Version	X	2
	B830-22	Russian Version	X	2

NOTES * Country-specific decals available only to dealers in noted country.

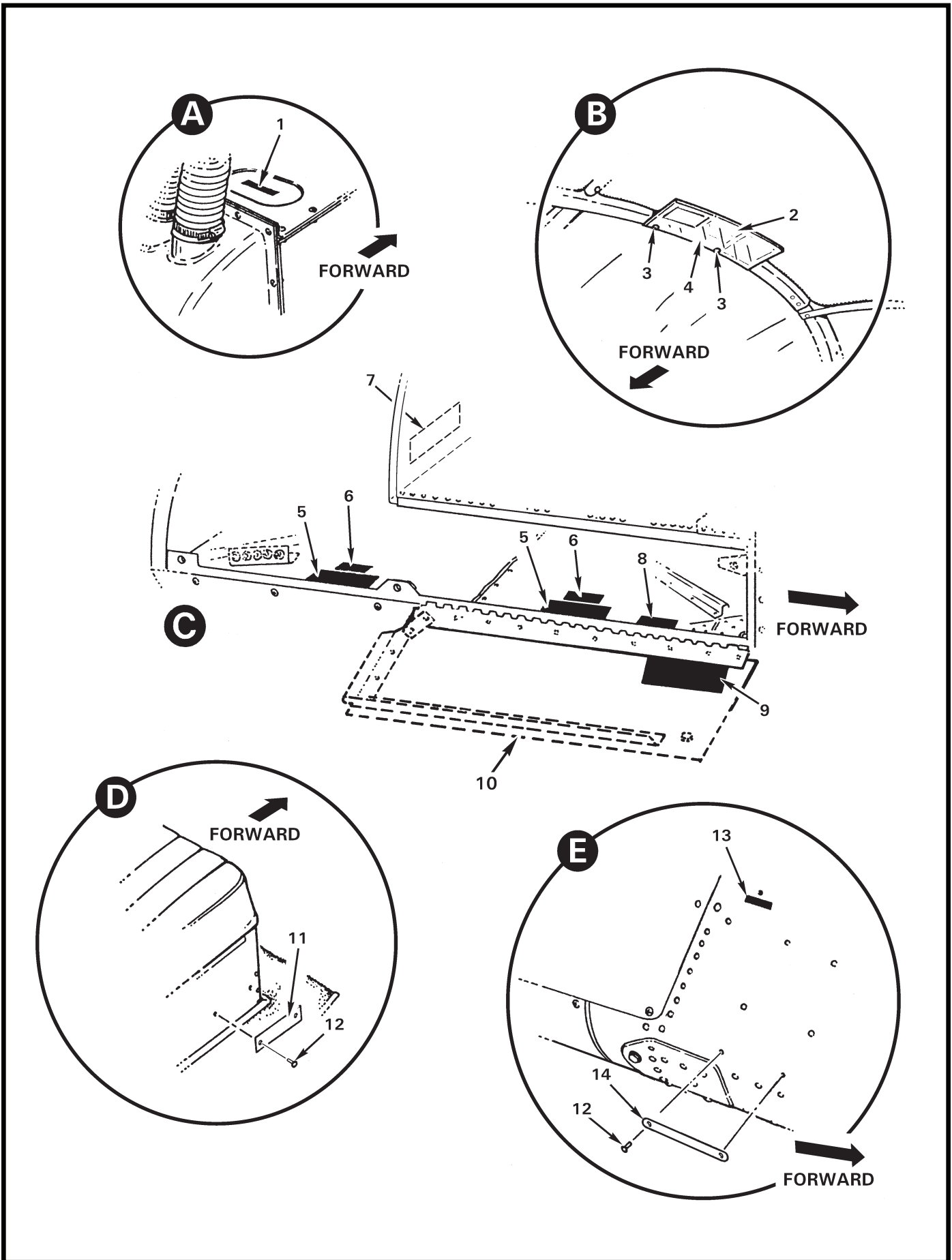


FIGURE AND INDEX NUMBER	PART NUMBER	DESCRIPTION	PARTS AVAIL	QTY PER ASSY
PLACARDS AND MARKINGS*				
11-5-1	A654-38	Decal – “Push to Open”	X	1
	B841-25	Brazilian Version	X	1
	B830-23	Russian Version	X	1
2	C654-15**	Decal – Flight Limitations (Astro/Raven, altitude in feet; for Clipper)	X	1
	D682-10**	Decal – Flight Limitations (ship S/N 0001 thru 9999; altitude in meters; approved for Russian version)	X	1
	D682-14**	Decal – Flight Limitations (Raven II, altitude in feet; for Clipper II)	X	1
	D682-16**	Decal – Flight Limitations (ship S/N 10001 and higher; altitude in meters; approved for Russian version)	X	1
3	B204-1	Rivet (blind)	X	2
4	A725-3**	Mount	X	1
5	A654-21	Decal – “No Stowage”	X	2
	B841-21	Brazilian Version	X	2
	B842-42	Chinese Version	X	2
	B830-50	Russian Version	X	2
6	A654-19	Decal – “No Step”	X	2
	B841-20	Brazilian Version	X	2
	B830-41	Russian Version	X	2
7	F654-13	Decal (hydraulic reservoir, main/tail rotor gearbox fill and oil specification)	X	1
	B841-58	Brazilian Version	X	1
8	A654-30	Decal – “Step Here”	X	1
	B841-24	Brazilian Version	X	1
	B830-42	Russian Version	X	1
9	A654-93	Decal (fuel drain instructions)	X	1
	B830-56	Russian Version	X	2
10	D042-4	Door Assembly (Ref)		
11	A754-1	Patent Plate	O	1
12	MS20470AD3	Rivet	X	2
13	C654-7	Decal – “Static Port”	X	2
	C654-8	Decal – “Static Port” (white letters)	X	2
	B830-67	Russian Version (light or dark ships)	X	2
14	C672-1	Data Plate	O	1

NOTES * Country-specific decals available only to dealers in noted country.
 ** For earlier R44s.

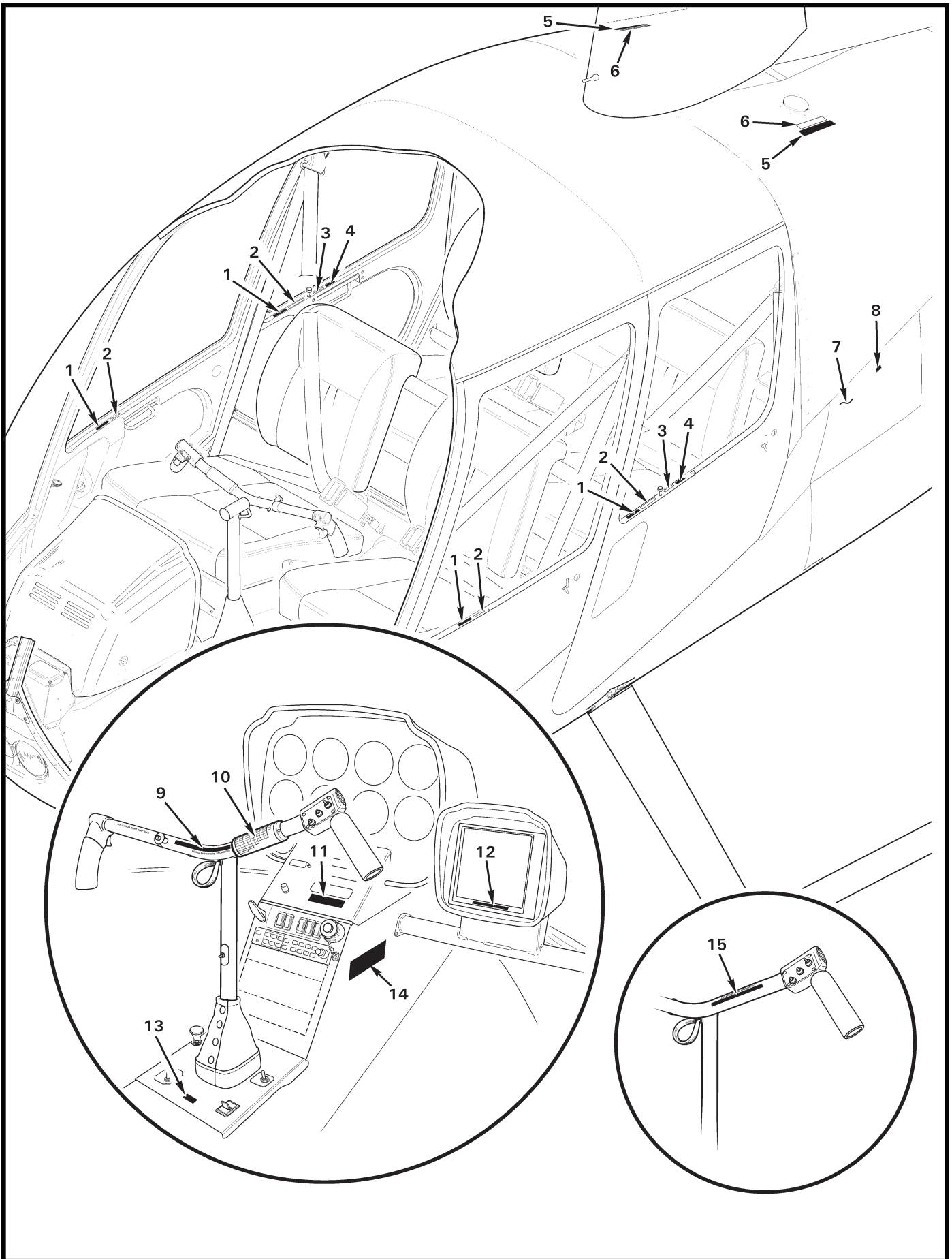


FIGURE AND INDEX NUMBER	PART NUMBER	DESCRIPTION	PARTS AVAIL	QTY PER ASSY
PLACARDS AND MARKINGS (JAPANESE)*				
11-7-1	B840-25	Decal – “TO CLOSE SLIDE HANDLE...”(Japanese version of item 2)	X	4
2	A654-9	Decal – “OPEN” (Ref; LH doors)		
	A654-10	Decal – “OPEN” (Ref; RH doors)		
3	F654-18	Decal – “PUSH TO LOCK/DO NOT LOCK IN FLIGHT” (Ref)		
4	B840-26	Decal – Door Locking Instructions (Japanese version of item 3)		
5	B840-14	Decal – Fuel Grade (Japanese version of item 6; white lettering) . .	X	2
	B840-15	Decal – Fuel Grade (Japanese version of item 6)	X	2
6	C654-3	Decal – Fuel Grade (Ref)		
	C654-4	Decal – Fuel Grade (Ref)		
7	C380-5	Door (Ref)		
8	B840-21	Decal – Engine Oil (white lettering)	X	A/R
	B840-22	Decal – Engine Oil	X	A/R
9	B840-20	Decal – Low-G Pushovers Prohibited (Japanese version)	X	1
10	G725-2	Tube (Ref; for ships with flight limitations placard located on cyclic grip)		
11	B840-28	Decal (white strobe light procedures)	X	A/R
12	B840-23	Decal – This GPS is Approved for VFR Only (Japanese version)	X	1
13	A654-17	Decal – “NO SMOKING” (Ref)		
14	B840-17	Decal – Flight Limitations (Japanese version)	X	1
15	B840-19	Decal – Low-G Pushovers Prohibited (Japanese version; for ships without item 10 installed)	X	1

NOTES * Country-specific decals available only to dealers in noted country.

Intentionally Blank