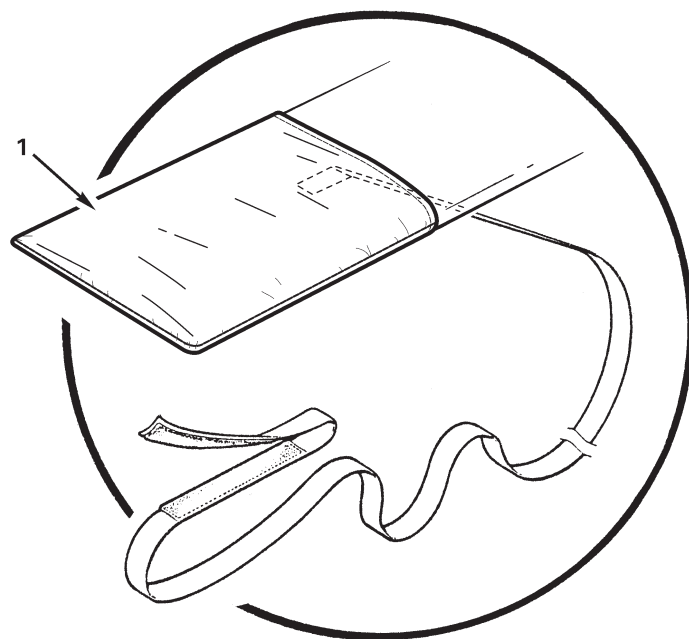
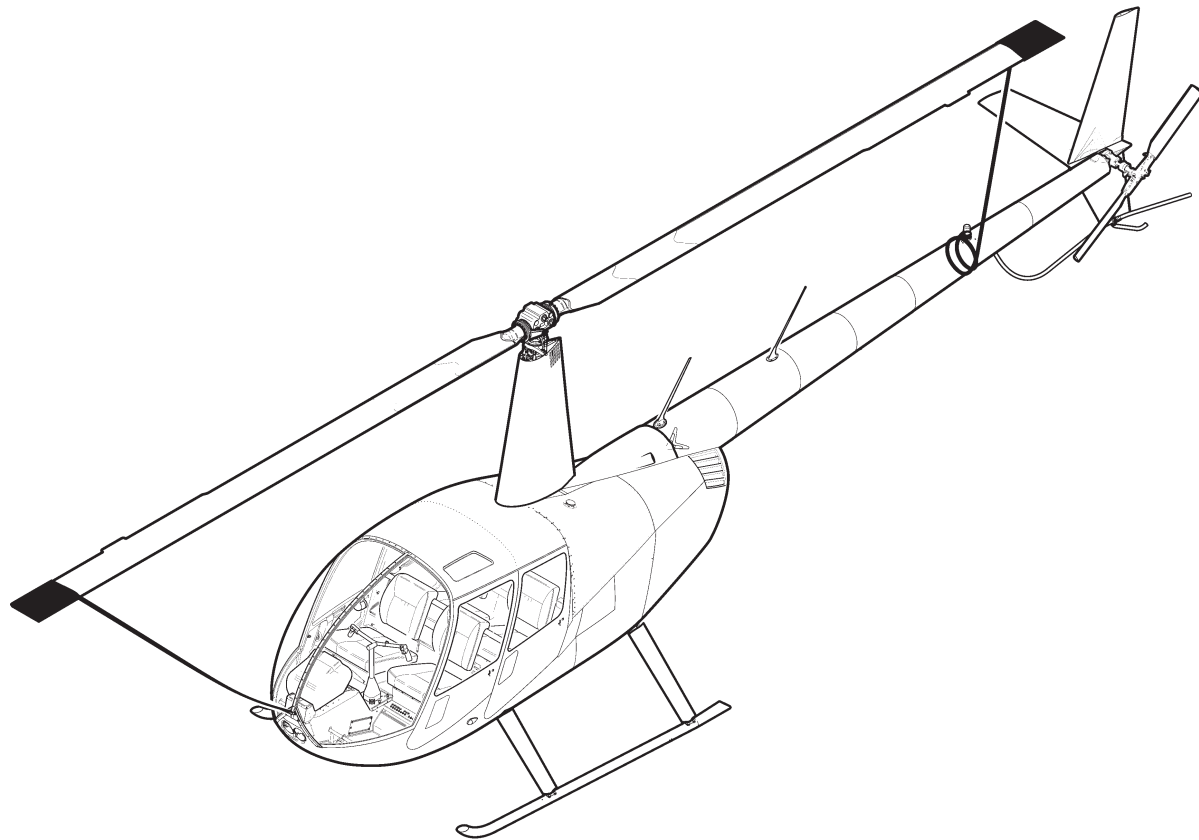
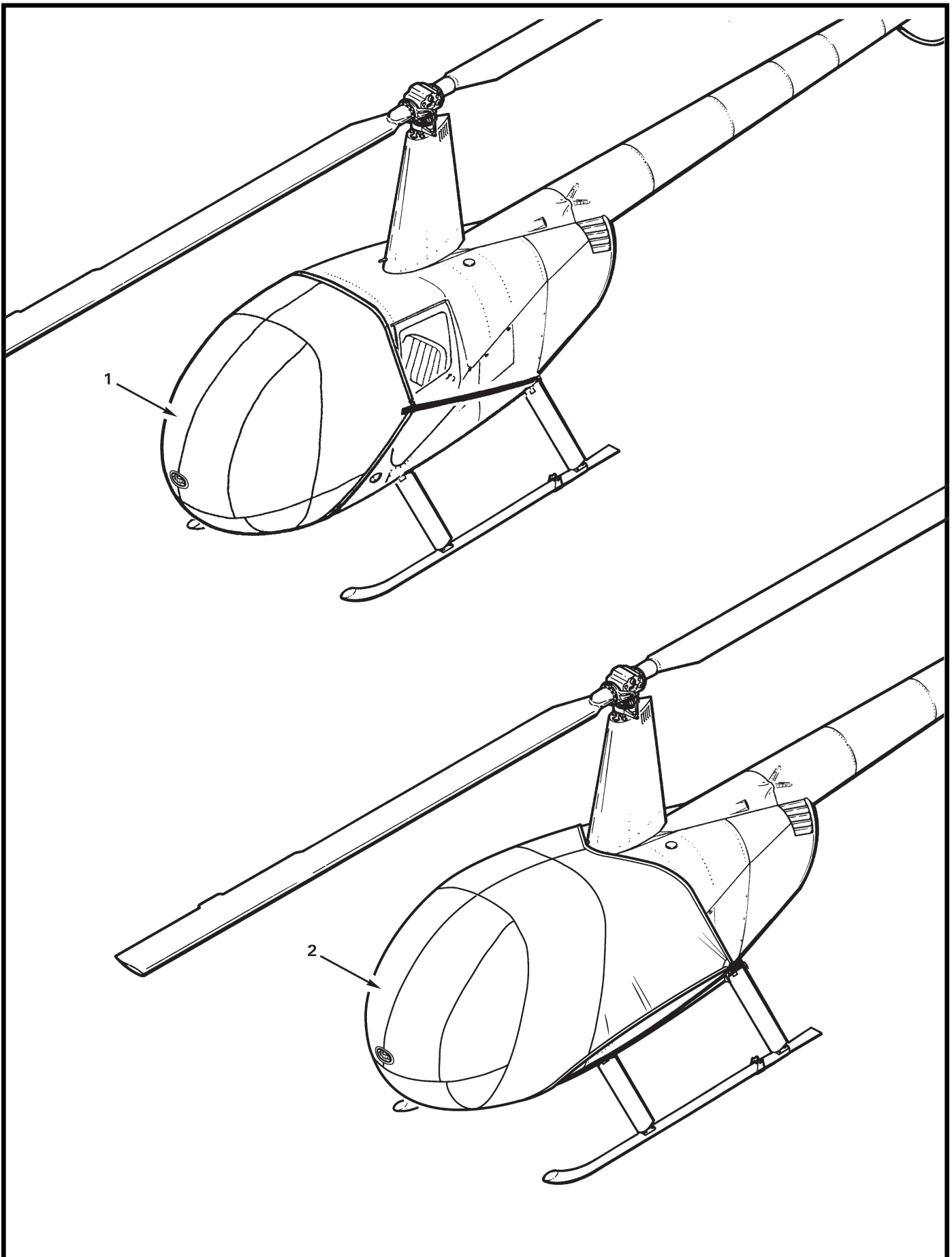


CHAPTER 10
PARKING AND STORAGE

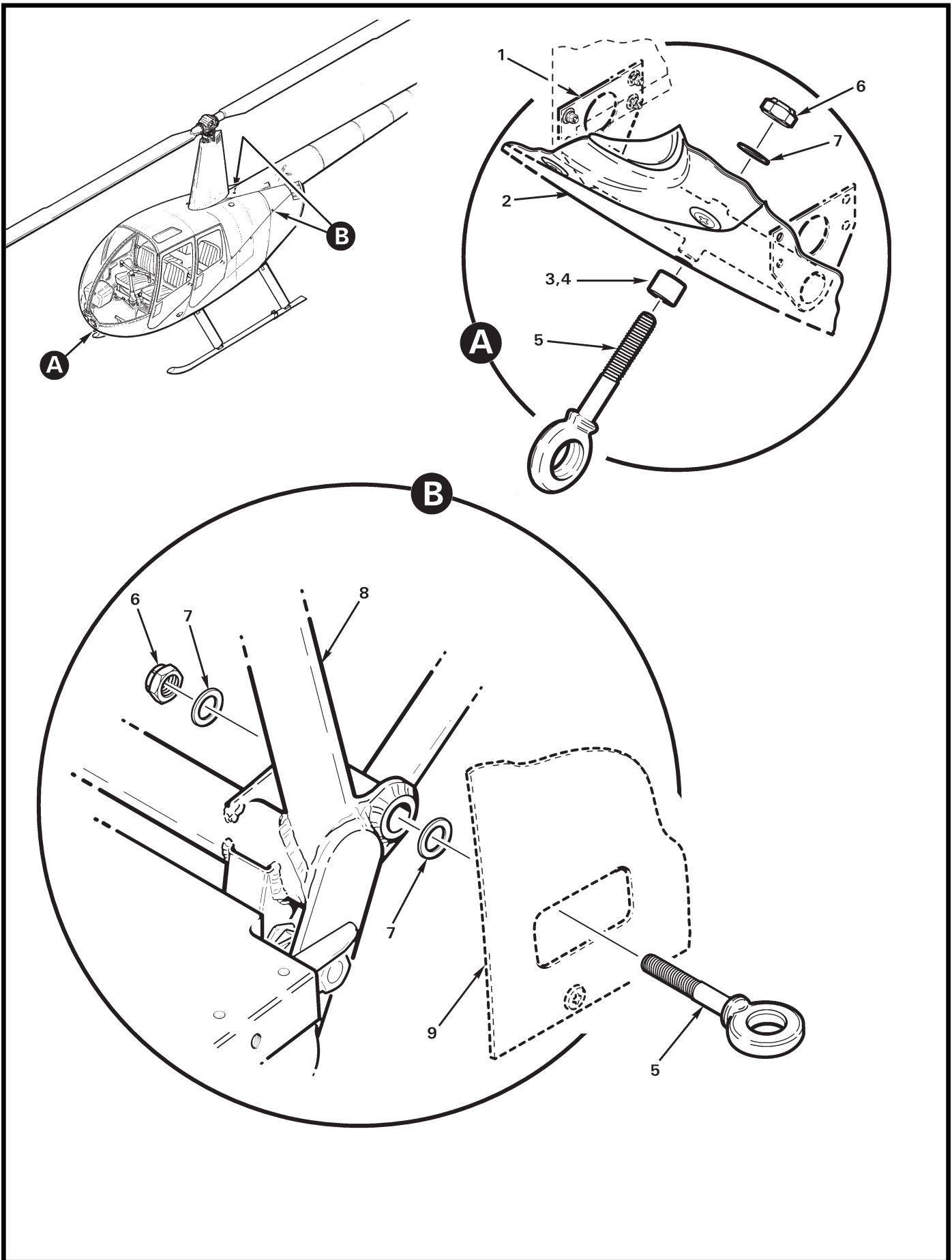
| <i>Figure</i> | <i>Title</i> | <i>Page</i> |
|---------------|---|-------------|
| 10-1 | Main Rotor Blade Tie-Downs | 10.0 |
| 10-3 | Cabin Covers | 10.2 |
| 10-5 | Tie-Down Installation | 10.4 |
| 10-7 | Hardpoint Hinge and Tie-Down Ring Installations | 10.6 |
| 10-9 | Main Rotor Blade Support Installation | 10.8 |



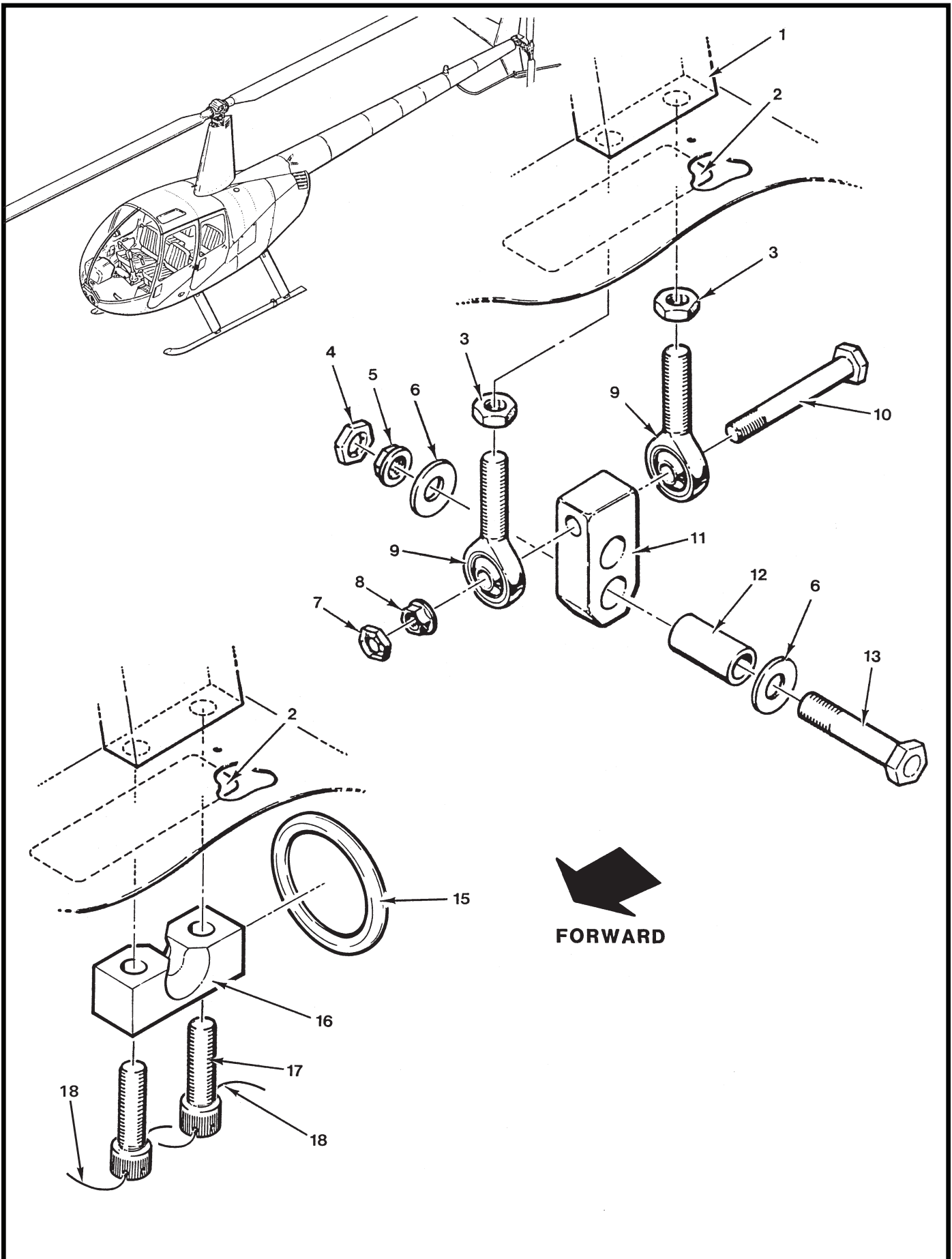
| FIGURE AND INDEX NUMBER | PART NUMBER | DESCRIPTION | PARTS AVAIL | QTY PER ASSY |
|-------------------------|-------------|---|-------------|--------------|
| 10-1-1 | MT290-2 | <p>MAIN ROTOR BLADE TIE-DOWNS</p> <p>Main Rotor Blade Tie-Down (set of two)</p> | X | 1 |
| NOTES | | | | |



| FIGURE AND INDEX NUMBER | PART NUMBER | DESCRIPTION | PARTS AVAIL | QTY PER ASSY |
|-------------------------|-------------|--|-------------|--------------|
| CABIN COVERS | | | | |
| 10-3-1 | R44-004 | Bubble Cover | X | 1 |
| 2 | R44-000 | Full Cover (optional) | X | 1 |
| 3 | R44-005 | Full Cover (ENG/Police ships; not shown) | X | 1 |
| NOTES | | | | |

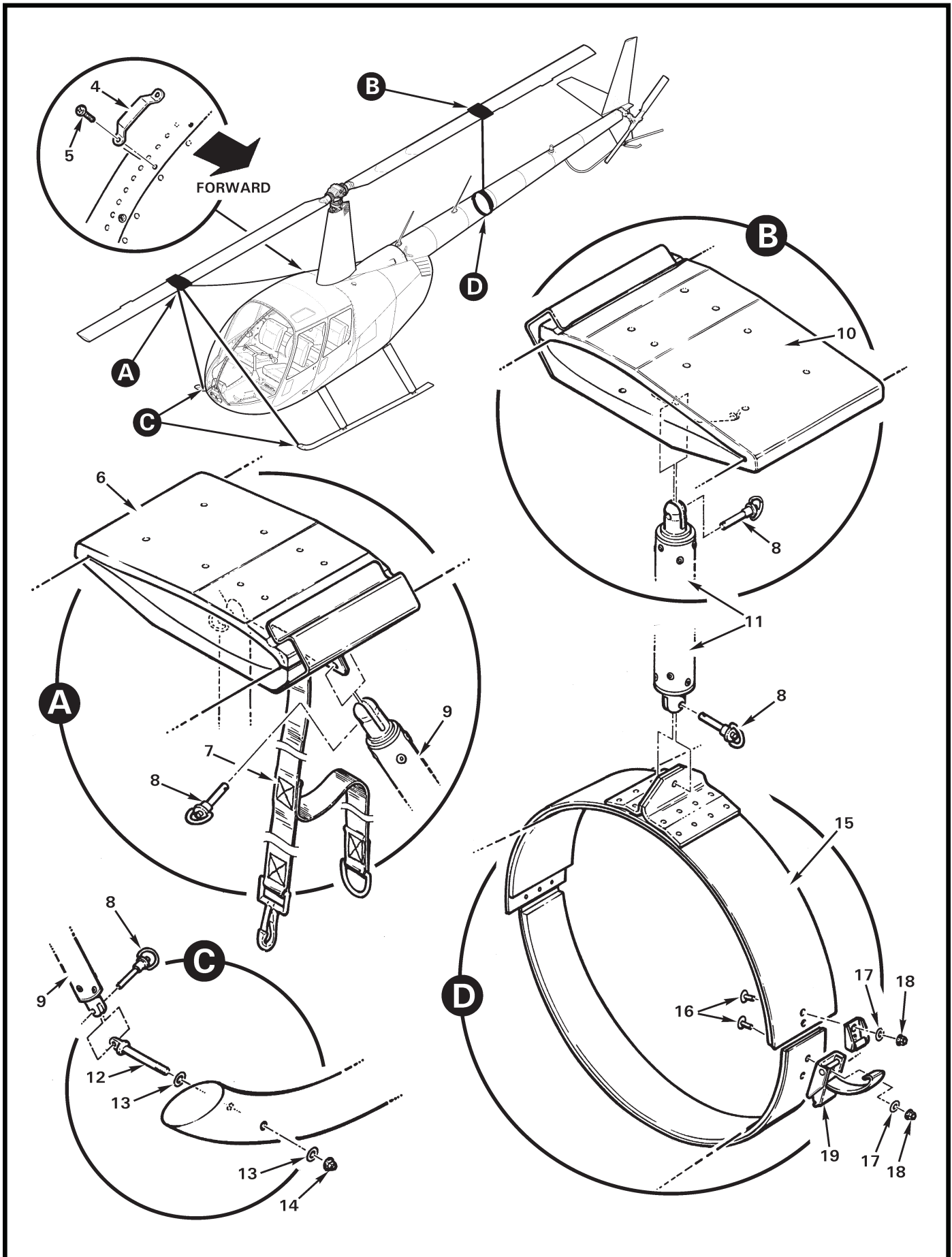


| FIGURE AND INDEX NUMBER | PART NUMBER | DESCRIPTION | PARTS AVAIL | QTY PER ASSY |
|------------------------------|---------------|---|-------------|--------------|
| TIE-DOWN INSTALLATION | | | | |
| 10-5-1 | D125-5 | Weldment (Ref) | | |
| 2 | C272 | Chin (Ref) | | |
| 3 | C130-38 | Spacer (install using item 4) | X | 1 |
| 4 | B270-1 | Sealant (2-oz tube) | X | A/R |
| 5 | A964-2 | Eyebolt | X | 3 |
| 6 | 21FKF-616 | Nut | X | 3 |
| 7 | NAS1149F0632P | Washer | X | 5 |
| 8 | C020-2 | Frame Assembly - Upper (Ref) | | |
| 9 | C706-3 | Panel (LH, Ref) | | |
| | D040-7 | Door (RH, Ref; not shown) | | |
| NOTES | | | | |



| FIGURE AND INDEX NUMBER | PART NUMBER | DESCRIPTION | PARTS AVAIL | QTY PER ASSY |
|-------------------------|---------------|---|-------------|--------------|
| | | HARDPOINT HINGE AND TIE-DOWN RING INSTALLATIONS | | |
| 10-7-1 | D134-1 | Block (Ref) | | |
| 2 | C654-9 | Decal | X | 1 |
| 3 | AN316-6R | Nut | X | 2 |
| 4 | B330-19 | Palnut | X | 1 |
| 5 | MS21042L6 | Nut | X | 1 |
| 6 | A214-1 | Washer | X | 2 |
| 7 | B330-16 | Palnut | X | 1 |
| 8 | MS21042L5 | Nut | X | 1 |
| 9 | D173-1 | Rod End | X | 2 |
| 10 | NAS6605-26 | Bolt | X | 1 |
| 11 | D136-1 | Support | X | 1 |
| 12 | B139-1 | Journal | X | 1 |
| 13 | NAS6606-17 | Bolt | X | 1 |
| 14 | KI-86 | Hardpoint Hinge Installation Kit (Incl items 2 thru 13) | X | 1 |
| 15 | 3779T84 | Ring | X | 1 |
| 16 | B253-2 | Anchor | X | 1 |
| 17 | NAS1351-6H20P | Screw | X | 2 |
| 18 | MS20995C032 | 0.032 in. dia. Safety Wire | X | A/R |

NOTES



| FIGURE AND INDEX NUMBER | PART NUMBER | DESCRIPTION | PARTS AVAIL | QTY PER ASSY |
|--|---------------|---|-------------|--------------|
| MAIN ROTOR BLADE SUPPORT INSTALLATION | | | | |
| 10-9-1 | MT349-4 | Main Rotor Blade Support Assembly (Incl items 2 and 3) | X | 1 |
| 2 | MT349-6 | Support Assembly - Forward (Incl items 6, 8 [4], and 9) | X | 1 |
| 3 | MT349-5 | Support Assembly - Aft (Incl items 8 [2], 10, 11, and 15) | X | 1 |
| 4 | D127-2 | Cleat | X | 1 |
| 5 | MS27039C0807 | Screw | X | 2 |
| 6 | MT345-1 | Cradle Assembly (forward blade; includes item 7) | X | 1 |
| 7 | MT345-5 | Strap Assembly | X | 1 |
| 8 | 92384A034 | Pin | X | 6 |
| 9 | MT347-8 | Strut Assembly (LH and RH) | X | 2 |
| 10 | MT345-2 | Cradle Assembly (aft blade) | X | 1 |
| 11 | MT347-7 | Strut Assembly (aft) | X | 1 |
| 12 | AN44-31A | Eye Bolt | X | 2 |
| 13 | NAS1149F0532P | Washer | X | 4 |
| 14 | MS21042L5 | Nut | X | 2 |
| 15 | MT348-7 | Clamp Assembly (Incl items 16 thru 19) | X | 1 |
| 16 | AN525-832R6 | Screw | X | 3 |
| 17 | NAS1149FN816P | Washer | X | 3 |
| 18 | MS21042L08 | Nut | X | 3 |
| 19 | 97-50-215-12 | Latch (includes lug) | X | 1 |

NOTES

Intentionally Blank