

# R66 TURBINE POLICE HELICOPTER



The R66 POLICE HELICOPTER offers law enforcement a reliable, high-performance turbine helicopter that is economical and easy to maintain.

The four-place R66 Police Helicopter meets the latest FAA crashworthiness regulations. Its aerodynamic fuselage optimizes airspeed and fuel economy allowing the helicopter to remain on station for up to three hours. Turn-key ready, the R66 Police Helicopter comes equipped with the latest in navigation and surveillance technology.

- GTR 225A COM
- FLIR Imaging System
- Two 6-Channel Audio Controllers
- Fold Away 10.4-Inch Color Monitor
- Garmin G500H PFD/MFD (compatible with optional autopilot)
- 25-30 Million Candlepower Searchlight
- Garmin GTN 650 Touchscreen GPS/COM (installed in pilot-side console)
- Garmin GTX 335 Transponder

A wide variety of upgrades and options are also available including: searchlight-to-FLIR slaving system, 5-point shoulder harness system (front seats), P/A speaker and siren, LoJack provisions, moving map systems, Garmin Synthetic Vision Technology, a selection of UHF, VHF, and 800 MHz police radios, SAS/autopilot, radar altimeter, air conditioning, and auxiliary fuel tank.



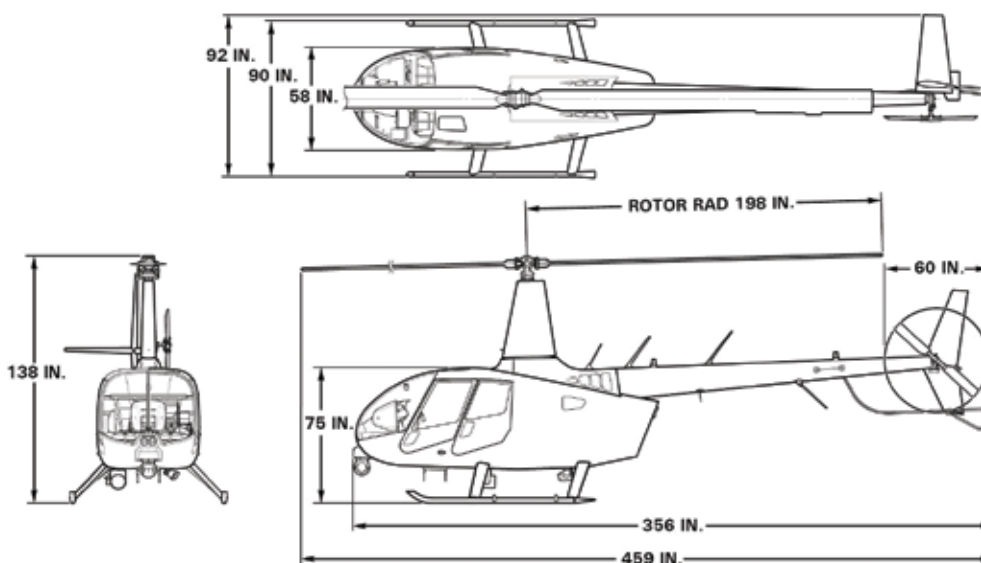
Color monitor shown with optional moving map system. Center console shown with Garmin G500H PFD/MFD, Technisonic A711L audio controller, optional Technisonic TDFM 9000 transceiver, Genesys HeliSAS, GTX 345 transponder, and radar altimeter. Pilot-side console with Technisonic A711L audio controller and optional Garmin GTN 750 GPS/COM/NAV.

# R66 TURBINE POLICE HELICOPTER

## SPECIFICATIONS

Engine	Rolls Royce RR300 turbine
Horsepower	300 shp turboshaft; derated to 270 shp for takeoff and 224 shp continuous
Maximum Gross Weight	2700 lb (1225 kg)
Approximate Empty Weight (including oil, avionics and standard police package)	1449 lb (657 kg)
Fuel Capacity (73.6 gal)	493 lb (224 kg)
Pilot, Passengers and Cargo with Standard Fuel	758 lb (344 kg)
Cruise Speed at Maximum Gross Weight	up to 110 kts (127 mph)
Maximum Range (no reserve)	approx 325 nm (602 km)
Hover Ceiling IGE at Max. Gross Weight	over 10,000 ft
Hover Ceiling OGE at Max. Gross Weight	over 10,000 ft
Rate of Climb	over 1000 fpm
Maximum Operating Altitude	14,000 ft
Electrical System	28 volt

## DIMENSIONS



## STANDARD INSTRUMENTS

- Airspeed indicator
- Altimeter
- Rotor/engine dual tachometer
- Vertical speed indicator
- Magnetic compass
- Torque meter
- N1 tachometer
- MGT gage
- Oil temp and pressure gages
- Fuel gage
- Ammeter
- Digital OAT gage/voltmeter
- Hourmeters
- Quartz clock

## STANDARD EQUIPMENT

- Hydraulic power controls
- Bladder fuel tank
- Integrated oil filter with bypass indicator
- Engine air filter with bypass indicator
- Main gearbox oil filter
- 160 amp starter generator
- Engine compressor rinse nozzle
- Electronic engine monitoring unit (EMU)
- Engine anti-ice system
- Cabin heater and defogger
- Rotor brake
- Intercom switches
- Avionics master switch
- Tinted windows
- Leather seats
- 3-point shoulder harnesses
- Pilot-side adjustable pedals
- Door locks
- Belly hardpoint
- LED anti-collision and navigation lights
- Dual HID landing lights
- LED panel and map lights
- Ground handling wheels
- Rotor blade tie-downs
- Windshield cover
- Travel bag

**ROBINSON HELICOPTER COMPANY**  
 2901 Airport Drive • Torrance, CA • 90505 • USA  
 Phone: 310-539-0508 • Fax: 310-539-5198  
[www.robinsonheli.com](http://www.robinsonheli.com)

© Robinson Helicopter Company. Robinson and R66 are registered trademarks of Robinson Helicopter Company. **February 2017**