

**R66 SERVICE BULLETIN SB-17A**

(provides updated compliance information for R66 SB-17)

**DATE:** 22 January 2016

**REV A:** 07 November 2016

**TO:** R66 Owners, Operators, and Maintenance Personnel

**SUBJECT:** F642-1 Shaft Replacement

**ROTORCRAFT AFFECTED:** R66 Helicopters equipped with F642-1 revision C and prior shaft weldments (originally installed on R66 S/N 0001 thru 0172), as well as spare F642-1 revision C and prior shaft weldments.

**UPDATED COMPLIANCE INFORMATION:** Original compliance time was no later than 15 March 2016. Compliance time is unchanged. Rev A allows installation of either an F642-6 or F642-7 shaft because F642-6 shafts may no longer be available.

**BACKGROUND:** An F642-1 shaft weldment cracked at the vane flange. This bulletin requires F642-1 revision C and prior shafts to be upgraded to either F642-6 or F642-7 shaft weldments.

---

**COMPLIANCE PROCEDURE:**

1. Refer to Figure 1. Visually inspect forward end of installed F642 shaft weldment for a visible change in diameter. Shafts with a change in diameter at location shown are revision D or subsequent and therefore are not affected by this bulletin; no further action is required.
2. If installed shaft does not have a change in diameter at location shown, remove shaft per R66 Maintenance Manual (MM) § 63-10, order one R9535 kit from [RHC Customer Service](#), and install kit per MM § 63-10. (For kits which contain F642-7 shaft, use NAS6604-5 bolts to attach shaft to flex plates.)
3. Balance shaft per MM § 18-70 in conjunction with chart in Figure 2.
4. Make appropriate maintenance record entries. No change to helicopter weight and balance.

**APPROXIMATE COST:**

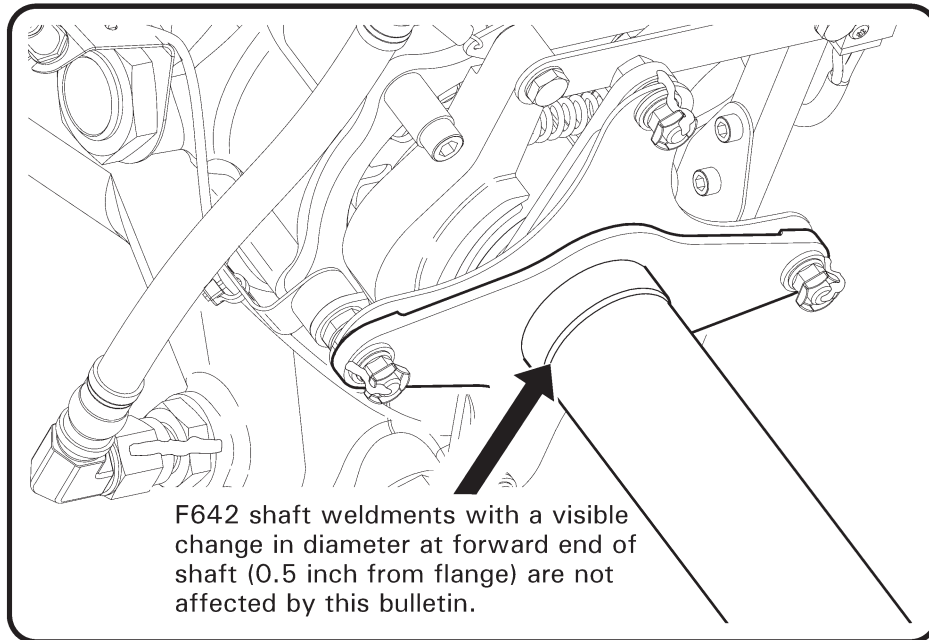
Parts: \$900 for one R9535 kit.

**(Earlier) R9535 kits with F642-6 shafts include:** (8) B330-13 palnut, (8) D210-4 nut, (1) F642-6 shaft weldment, (16) NAS1149F0432P washer, (8) NAS1149F0463P washer, & (8) NAS6604-6 bolt.

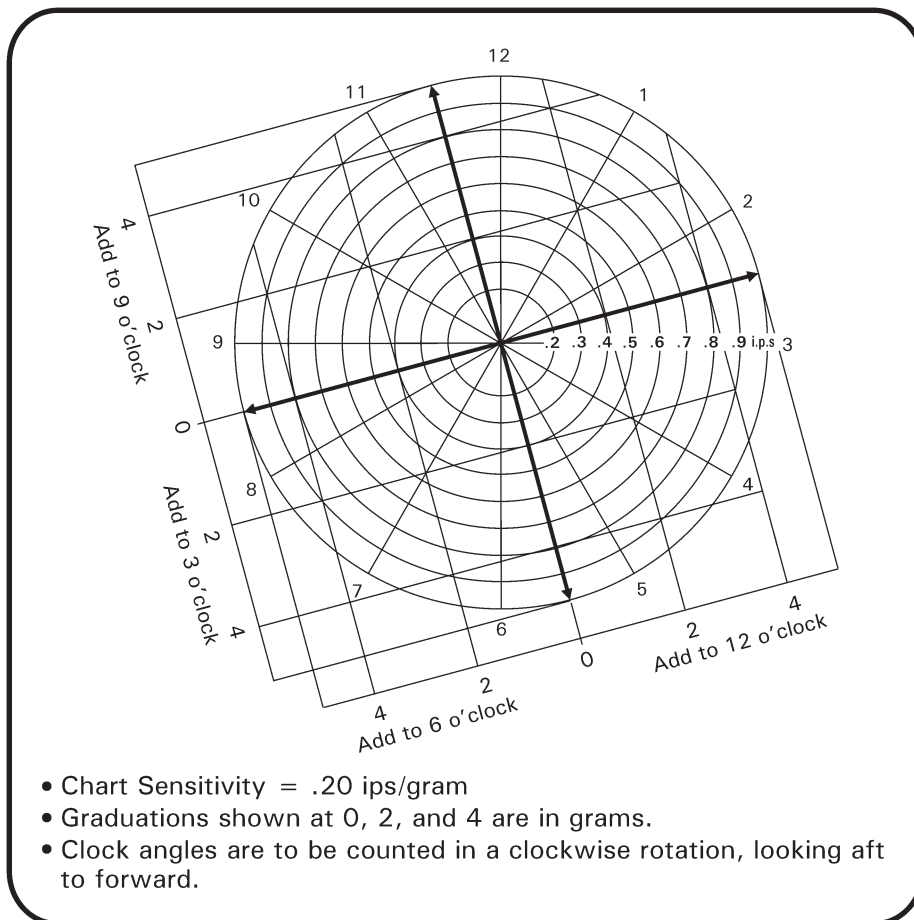
**R9535 kits with F642-7 shafts include:** (8) B330-13 palnut, (8) D210-4 nut, (1) F642-7 shaft weldment, (16) NAS1149F0432P washer, (8) NAS1149F0463P washer, (4) NAS6604-5 bolt, & (4) NAS6604-6 bolt.

Labor: Approximately 5-6 man-hours for kit installation.

(OVER)



**FIGURE 1**



**FIGURE 2**

THE DESIGN ENGINEERING ASPECTS OF THIS BULLETIN HAVE BEEN SHOWN TO COMPLY WITH APPLICABLE FEDERAL AVIATION REGULATIONS AND ARE FAA APPROVED.