

CHAPTER 99  
SPECIAL TOOLS

<i>Figure</i>	<i>Title</i>	<i>Page</i>
99-1	Field Kits . . . . .	99.1
99-3	R66 Technical Publications . . . . .	99.3
—	Special Tools . . . . .	99.5
99-7	Shipping Crates . . . . .	99.7
99-9	Shipping Crates . . . . .	99.9

Intentionally Blank

FIGURE AND INDEX NUMBER	PART NUMBER	DESCRIPTION	PARTS AVAIL	QTY PER ASSY
FIELD KITS				
99-1-1	KI-6601*	R66-series Minimum Spare Parts Kit		
	2 R8480*	2000-Hour Maintenance and Inspection Kit		
	3 KI-6603*	R66 Interior Furnishings Installation Field Kit		
	4 R7983*	R66 C017-5 Swashplate Installation Field Kit		
<p>NOTES * See <a href="http://www.robinsonheli.com">www.robinsonheli.com</a> for the latest kit contents.</p>				

Intentionally Blank

FIGURE AND INDEX NUMBER	PART NUMBER	DESCRIPTION	PARTS AVAIL	QTY PER ASSY
<b>R66 TECHNICAL PUBLICATIONS</b>				
99-3-1	R8345	R66 Maintenance Manual (Incl items 2 thru 4) . . . . .	X	1
2	R8346	R66 Maintenance Manual – Binder . . . . .	X	1
3	R8348	R66 Maintenance Manual – Tabs . . . . .	X	1
4	R8347	R66 Maintenance Manual – Insert . . . . .	O	1
5	R8349	R66 Illustrated Parts Catalog (Incl items 6 thru 8) . . . . .	X	1
6	R8350	R66 Illustrated Parts Catalog – Binder . . . . .	X	1
7	R8352	R66 Illustrated Parts Catalog – Tabs . . . . .	X	1
8	R8351	R66 Illustrated Parts Catalog – Insert . . . . .	O	1
9	R8656	Maintenance Record – Binder . . . . .	X	1
10	R8650	Maintenance Record – Tabs . . . . .	X	1
11	R8478	Maintenance Record – Insert (Incl item 12) . . . . .	X	1
12	R8479	Maintenance Record – Component Cards (pack of 20) . . . . .	X	1
13	R8344	R66 Pilots Operating Handbook (Incl items 14 thru 16) . . . . .	X	1
14	R8342	R66 Pilots Operating Handbook – Binder . . . . .	X	1
15	R7226	R66 Pilots Operating Handbook – Tabs . . . . .	X	1
16	R8343	R66 Pilots Operating Handbook – Insert . . . . .	O	1
<b>NOTES</b>				

Intentionally Blank

FIGURE AND INDEX NUMBER	PART NUMBER	DESCRIPTION	PARTS AVAIL	QTY PER ASSY
		<p style="text-align: center;">SPECIAL TOOLS</p> <p>Special tools have been moved to the R66 MM Chapter 99.</p>		
NOTES				

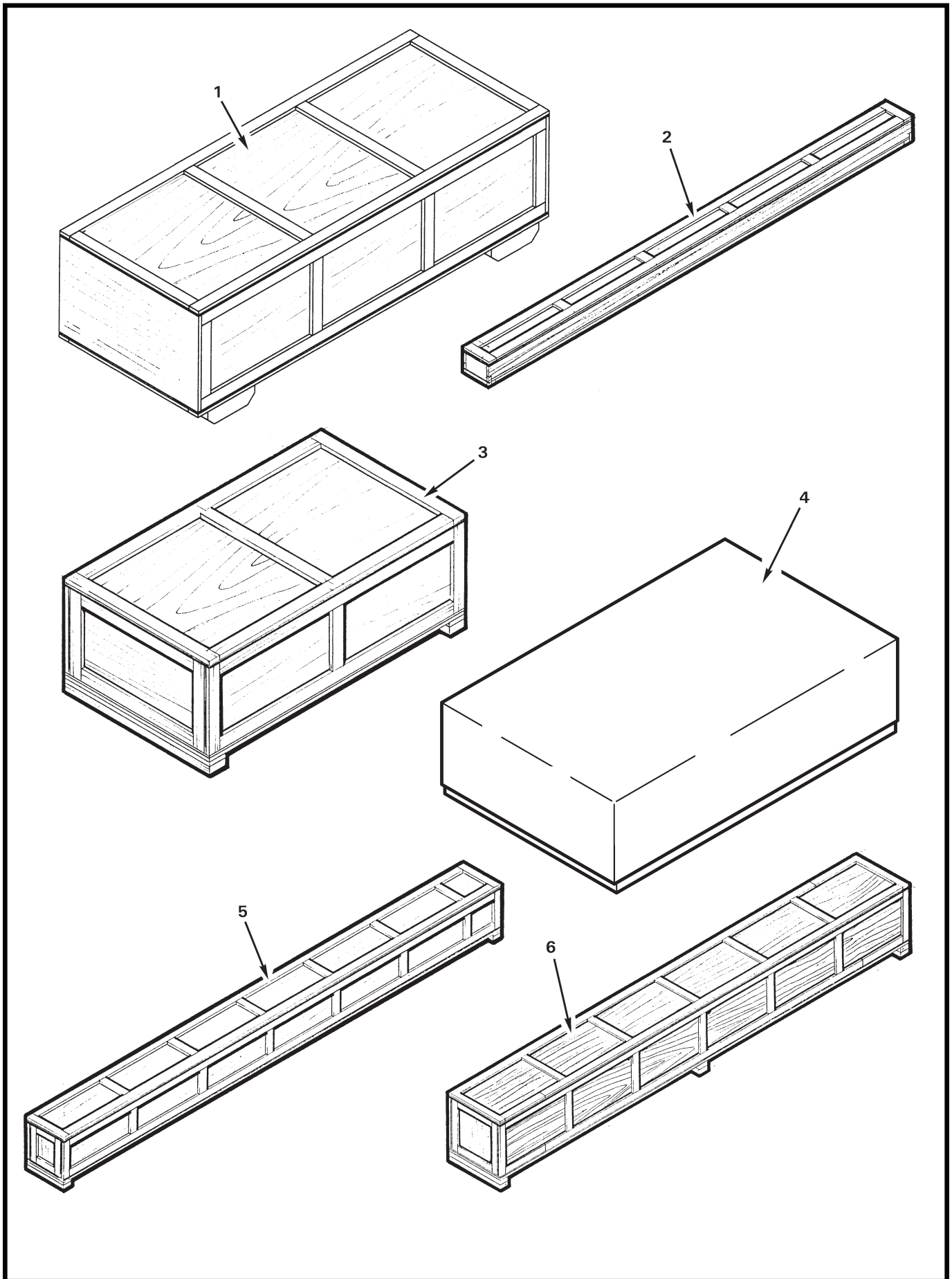




FIGURE AND INDEX NUMBER	PART NUMBER	DESCRIPTION	PARTS AVAIL	QTY PER ASSY
<b>SHIPPING CRATES*</b>				
99-7-1	R7982	Main Rotor Gearbox Crate (68 in. x 80 in. x 180 in.) . . . . .	X	1
2	R5385	Push-Pull Tube/Tail Rotor Drive Shaft Crate . . . . .	X	1
3	R5386	Cabin Door Crate (23 in. x 34 in. x 60 in.; holds [1] bubble or [2] regular doors) . . . . .	X	1
4	R5170	Windshield Box (71 in. x 41 in. x 25 in.; cardboard. Holds up to four windshields.) . . . . .	X	1
5	R5352	Main Rotor Blade Crate (21 in. x 17 in. x 206.50 in.) . . . . .	X	1
6	R5388	Tailcone Crate (27 in. x 24 in. x 192 in.) . . . . .	X	1

NOTES \* Dimensions are approximate and expressed in inches. Dimensions given describe height, width, and length.

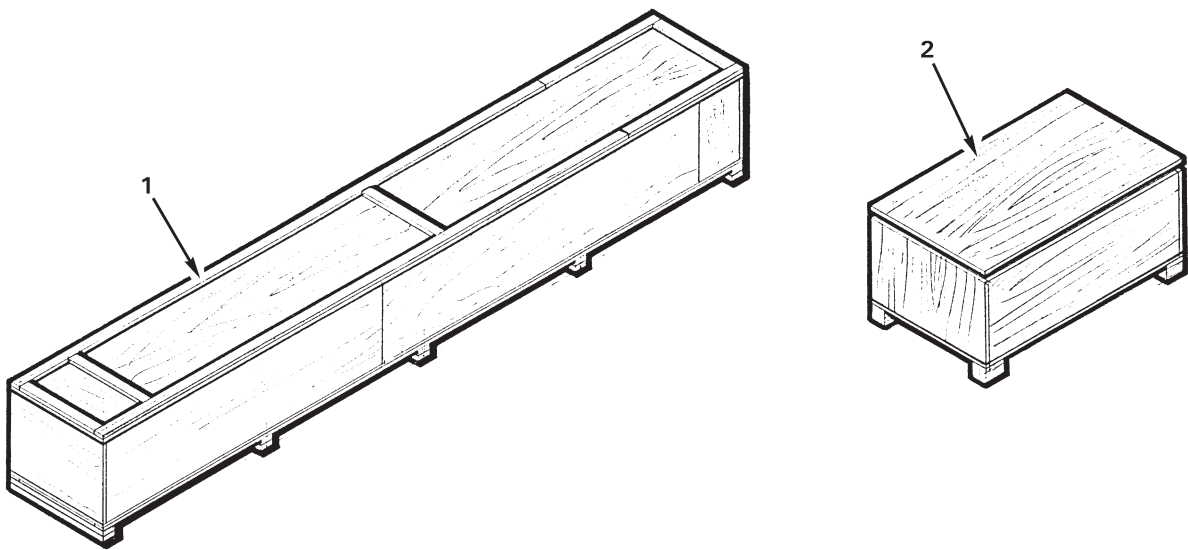


FIGURE AND INDEX NUMBER	PART NUMBER	DESCRIPTION	PARTS AVAIL	QTY PER ASSY
SHIPPING CRATES*				
99-9-1	R7418	Main Rotor Blade/Tailcone Crate (28 in. x 30 in. x 208 in.) . . . .	X	1
2	MT899-1	Tow Cart Crate (31 in. x 37 in. x 63.50 in.) . . . . .	X	1

NOTES \* Dimensions are approximate and expressed in inches.  
 Dimensions given describe height, width, and length.

Intentionally Blank