

CHAPTER 75  
ENGINE AIR SYSTEMS

<u>Figure</u>	<u>Title</u>	<u>Page</u>
75-1	Inducer Bleed System - Vent Box Installation . . . . .	75.0

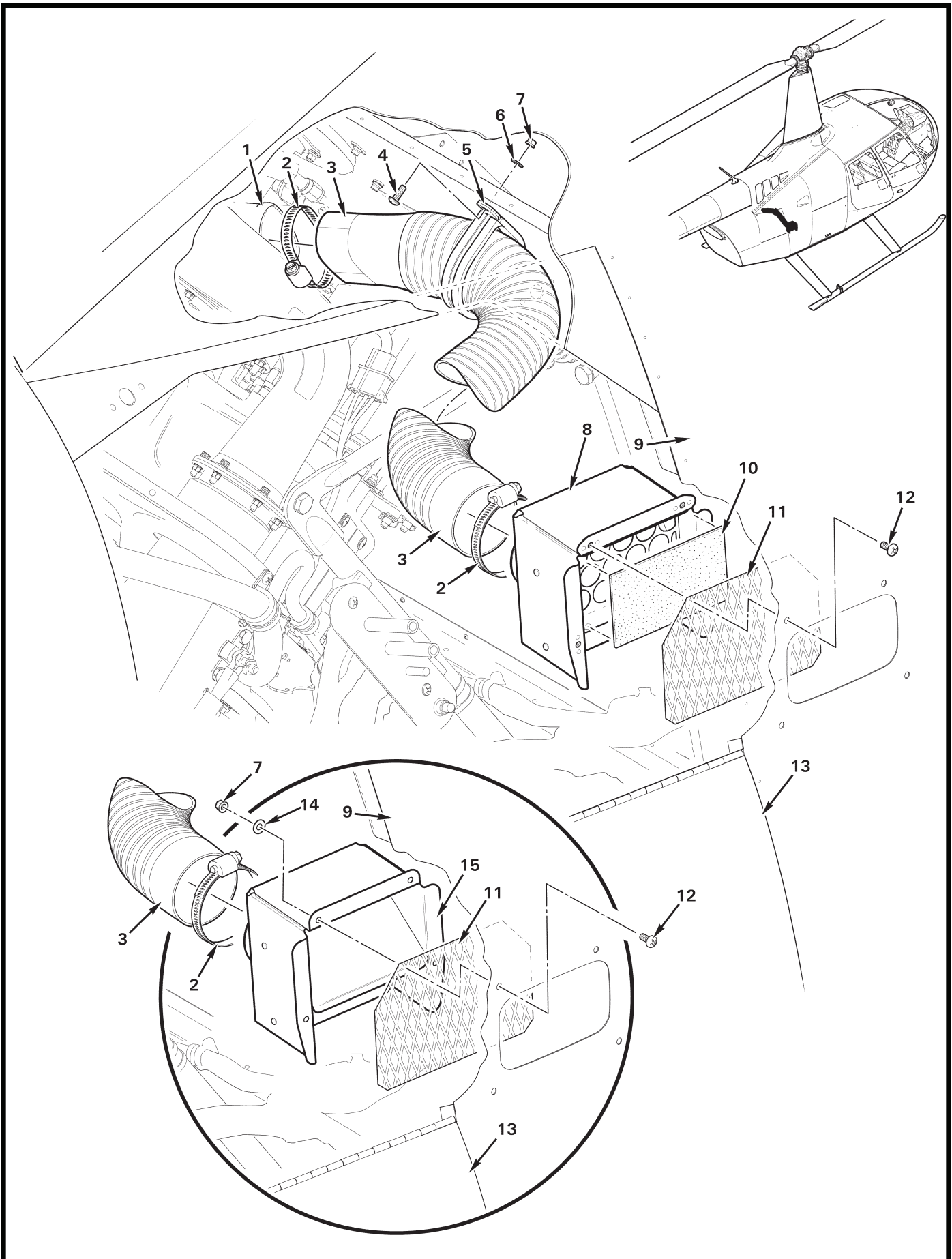


FIGURE AND INDEX NUMBER	PART NUMBER	DESCRIPTION	PARTS AVAIL	QTY PER ASSY
<b>INDUCER BLEED SYSTEM - VENT BOX INSTALLATION</b>				
75-1-1	F009-1	Engine (Ref)		
2	B277-32	Clamp . . . . .	X	2
3	A785-37	Hose . . . . .	X	1
4	MS27039C0806	Screw . . . . .	X	1
5	MS21919WCH38	Clamp . . . . .	X	1
6	NAS1149FN832P	Washer . . . . .	X	1
7	MS21042L08	Nut (G918-1 Rev "D" and higher [1]; G918-1 Rev "C" and prior [5]) . . . . .	X	5
8	G918-1	Box Assembly (Rev "D" and higher. Includes nutplates and retainer.) . . . . .	X	1
9	G004-8	Panel (Ref)		
10	F771-7	Filter (Not used with G918-1 Rev "C" and prior.) . . . . .	X	1
11	G918-5	Screen . . . . .	X	1
12	MS27039C0807	Screw . . . . .	X	4
13	G040-5	Door (Ref)		
14	NAS1149FN816P	Washer . . . . .	X	4
15	G918-1	Box Assembly (Rev "C" and prior. Does not include nutplates or retainer.) . . . . .	X	1

NOTES

Intentionally Blank