

CHAPTER 64

TAIL ROTOR

<i>Figure</i>	<i>Title</i>	<i>Page</i>
64-1	Tail Rotor Assembly	64.0

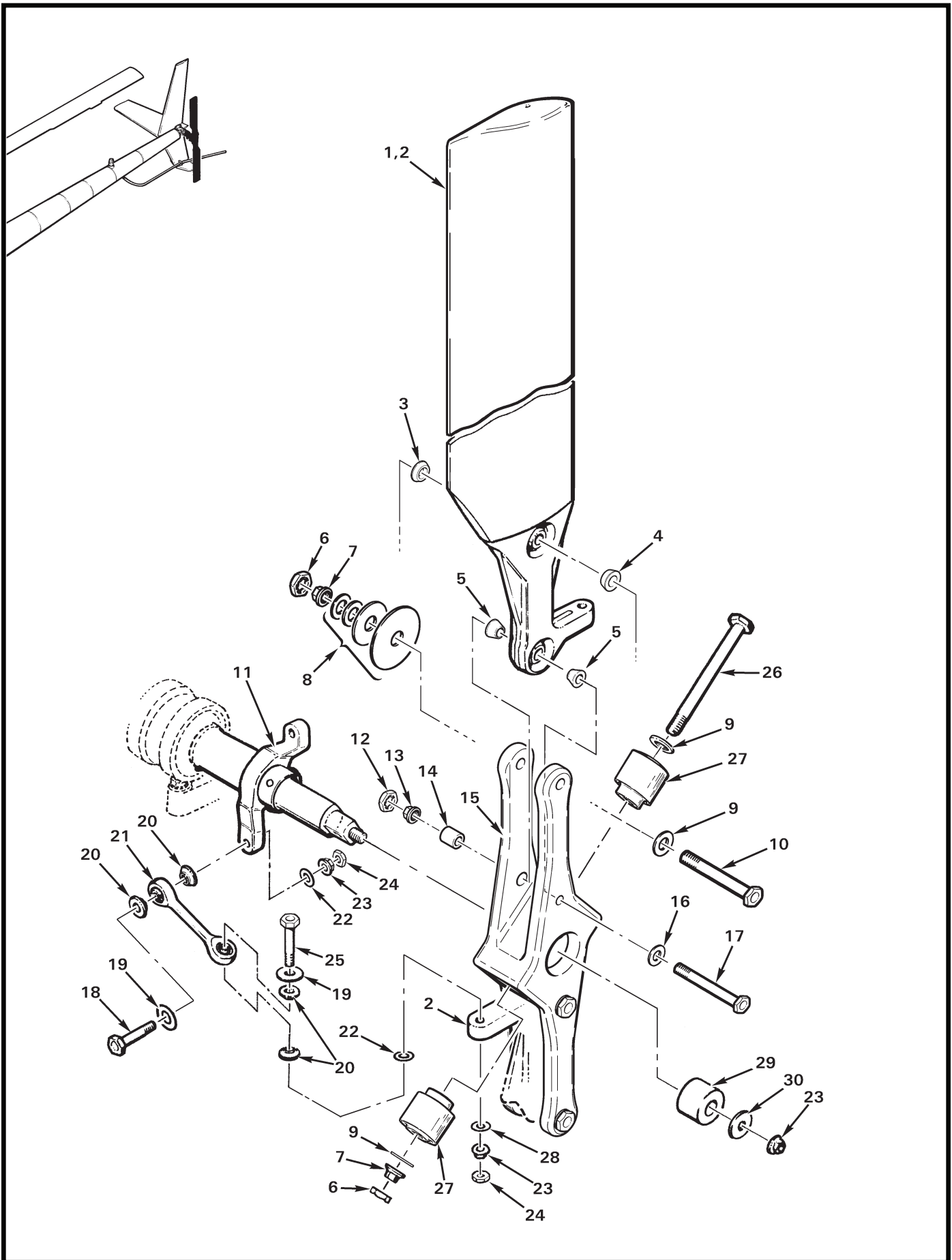


FIGURE AND INDEX NUMBER	PART NUMBER	DESCRIPTION	PARTS AVAIL	QTY PER ASSY
TAIL ROTOR ASSEMBLY				
64-1-1	C008-10	Tail Rotor Assembly (Incl items 2 thru 10, and 12 thru 17) . . .	X	1
2	F029-1	Blade Assembly (Critical part; see R66 MM § 1-60)	O	2
3	F137-1	Spacer	X	2
4	F137-2	Spacer	X	2
5	C137-1	Spacer	X	4
6	B330-19	Palnut	X	2
7	D210-6	Nut	X	3
8	NAS1149F0663P	Washer (or NAS1149F0632P, NAS1149D0632J, NAS1149D0663J, C141-23, or C141-24; any combination as required for balance; [4] required)	X	4
9	NAS1149F0632P	Washer	X	4
10	NAS6606-36	Bolt	X	2
11	C031-1	Pitch Control Assembly (Ref, see also Figure 65-9)		
12	B330-16	Palnut	X	2
13	D210-5	Nut	X	2
14	C138-2	Bushing	X	2
15	G062-1	Hub Assembly (Incl items 6 [1], 7, 9, 26, and 27)	X	1
	G062-2	Hub	O	1
16	NAS1149F0532P	Washer	X	1
17	NAS6605-34	Bolt	X	2
18	NAS6604-16	Bolt	X	2
19	A214-3	Washer	X	4
20	A115-1	Spacer	X	8
21	B345-4**	Link	X	2
22	NAS1149F0432P	Washer	X	4
23	D210-4	Nut	X	5
24	B330-13	Palnut	X	4
25	NAS6604-17 to -22	Bolt (increase length to add washer weights)	X	2
26	NAS6606-53	Bolt	X	1
27	B361-2*	Bearing	X	2
28	NAS1149F0463P	Washer (or NAS1149F0432P, A141-14, NAS1149D0463J, NAS1149D0432J, or A214-3 as required for balance)	X	A/R
29	C119-2	Bumper (black)	X	1
30	A141-14	Washer	X	1

NOTES * MT556-11 tools required to install bearing. See MM Chapter 99.
 ** B345-4 tail rotor pitch link shaft can be different diameters (0.250 in. or 0.300 in.). Balance tail rotor per R66 MM if a different diameter pitch link is installed.

Intentionally Blank