

CHAPTER 28  
FUEL SYSTEM

<i>Figure</i>	<i>Title</i>	<i>Page</i>
28-1	Fuel Bladder Assembly . . . . .	28.0
28-3	Fuel Bladder Assembly - Aft Components . . . . .	28.2
28-7	Drain Assembly Installation . . . . .	28.6
28-9	Fuel Valve and Hoses Installation . . . . .	28.8

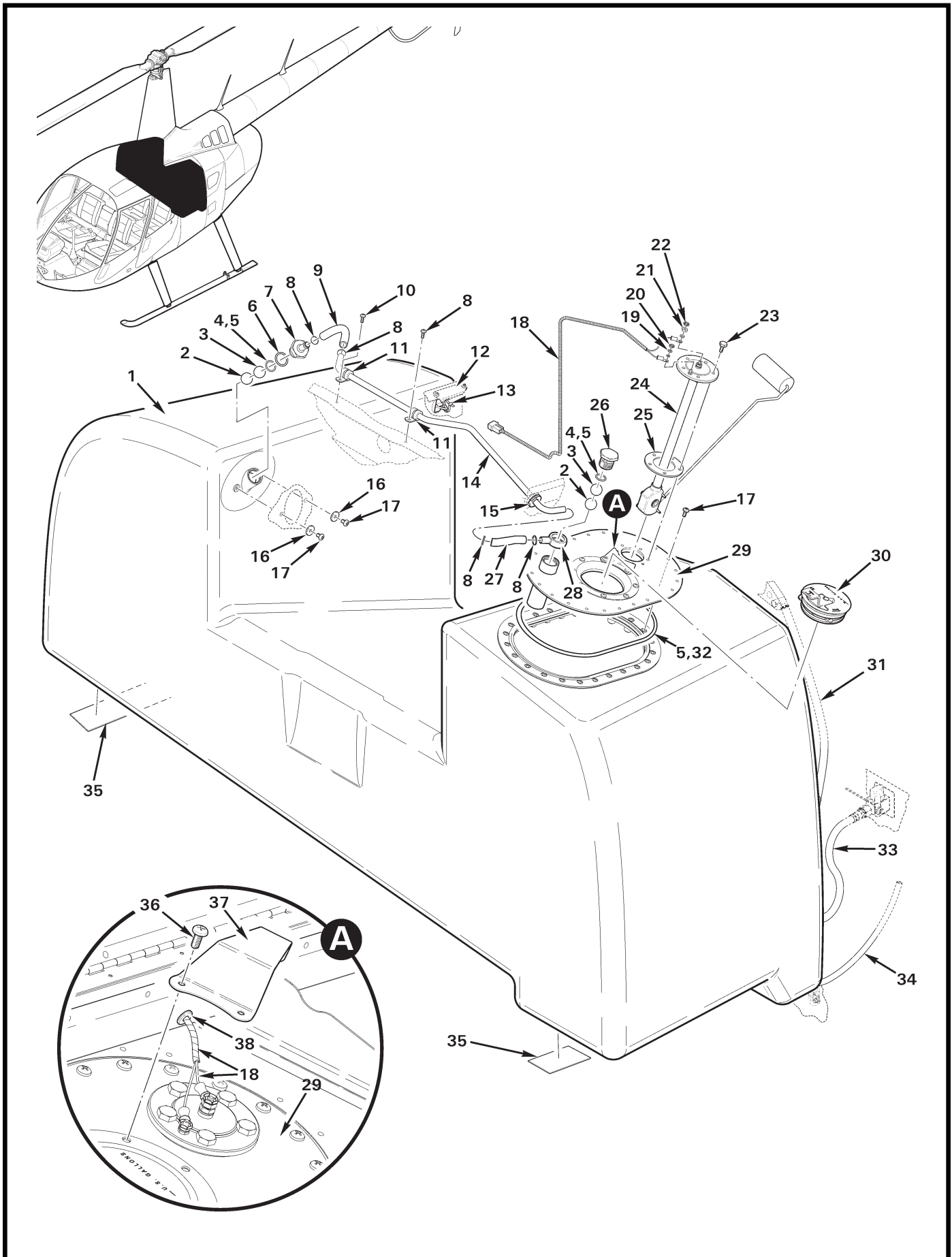


FIGURE AND INDEX NUMBER	PART NUMBER	DESCRIPTION	PARTS AVAIL	QTY PER ASSY
<b>FUEL BLADDER ASSEMBLY</b>				
28-1-1	G028-1	Bladder Assembly (Incl item 35) . . . . .	X	1
2	B208-6	Ball (red anodized) . . . . .	X	2
3	B208-5	Ball (gold anodized; earlier balls were blue) . . . . .	X	2
4	A215-015	O-Ring (install using item 5) . . . . .	X	2
5	A257-6	Grease . . . . .	X	A/R
6	MS29512-10	Packing (o-ring) . . . . .	X	2
7	G254-2	Fitting . . . . .	X	2
8	MS20995C32	0.032 in. dia Safety Wire . . . . .	X	A/R
9	A729-2	Tube . . . . .	X	1
10	MS27039C0807	Screw . . . . .	X	2
11	MS21919WDG6	Clamp . . . . .	X	2
12	G915-5	Hangar Tab (Ref)		
13	MS3367-7-9	Ty-Rap . . . . .	X	1
14	F731-3	Tube . . . . .	X	1
15	MS35489-11	Grommet . . . . .	X	1
16	A141-17	Washer . . . . .	X	2
17	MS27039C1-06	Screw . . . . .	X	26
18	F049-04	Harness Assembly (fuel sender) . . . . .	X	1
19	44-121 *	Nut (small) . . . . .	O	1
20	B330-5	Palnut (small) . . . . .	X	1
21	0044-00408 *	Nut (large) . . . . .	O	2
22	B330-6	Palnut (large) . . . . .	X	1
23	B289-1	Bolt . . . . .	X	5
24	F550-1	Fuel Quantity Sender (Incl items 19, 21, and 25) . . . . .	X	1
25	15-423	Gasket . . . . .	X	1
26	G254-6	Retainer . . . . .	X	1
27	A729-40	Tube . . . . .	X	1
28	G254-8	Fitting . . . . .	X	1
29	F250-1	Cover Assembly . . . . .	X	1
30	F689-1	Cap . . . . .	X	1
31	A729-45	Tube (Ref, see Figure 28-5)		
32	MS29513-270	Packing (o-ring, install using item 5) . . . . .	X	1
33	D205-21	Hose Assembly (Ref, see Figure 28-9)		
34	A729-43	Tube (drain; Ref, see Figure 28-5)		
35	B175-3	Hook Tape . . . . .	X	A/R

NOTES \* Rochester Gauges, Inc. part no.

Continues

FIGURE AND INDEX NUMBER	PART NUMBER	DESCRIPTION	PARTS AVAIL	QTY PER ASSY
FUEL BLADDER ASSEMBLY (Cont'd)				
28-1-36	MS27039C1-07	Screw . . . . .	X	2
37	G271-1	Guard . . . . .	X	1
38	MS35489-1	Grommet . . . . .	X	1

NOTES

Intentionally Blank

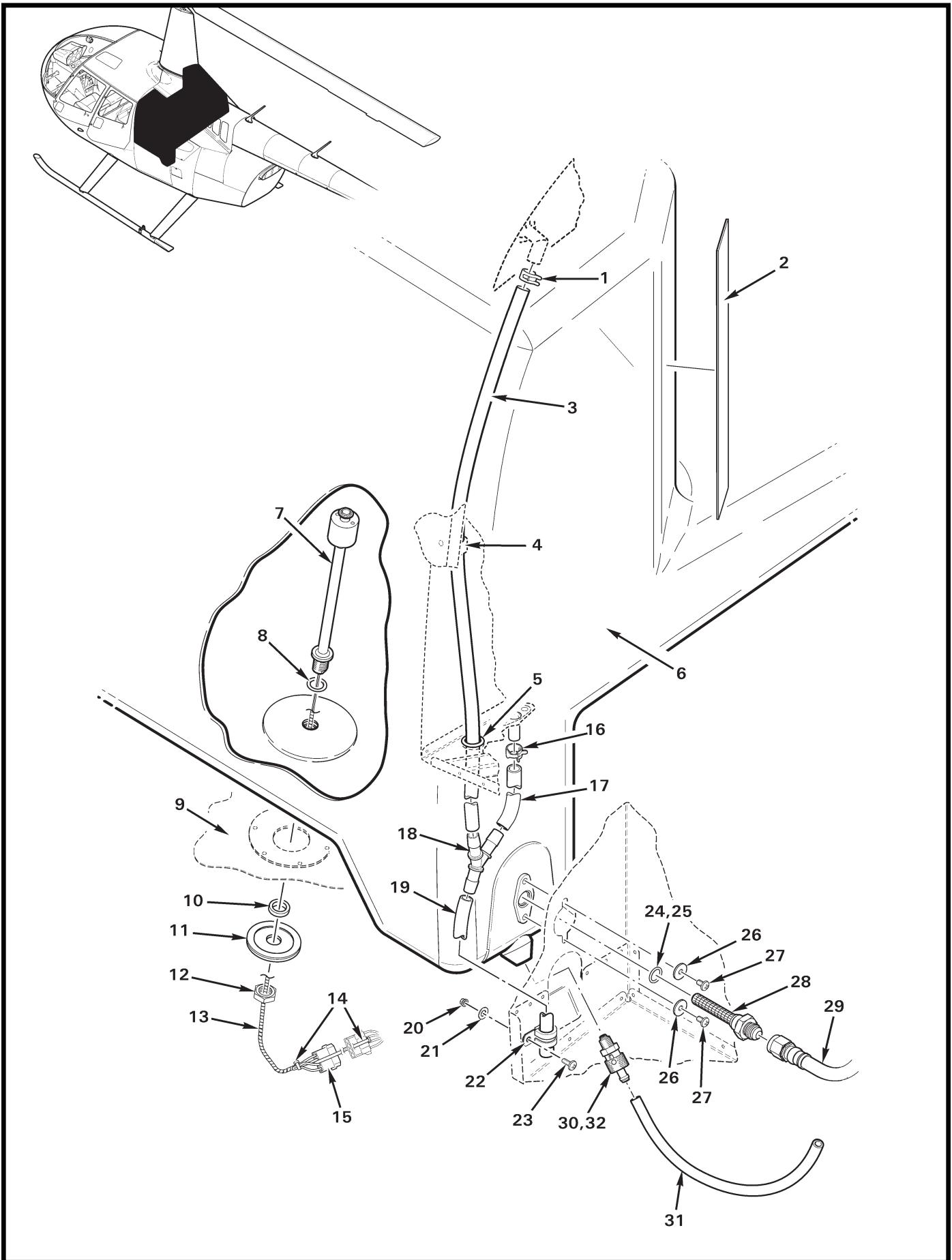


FIGURE AND INDEX NUMBER	PART NUMBER	DESCRIPTION	PARTS AVAIL	QTY PER ASSY
<b>FUEL BLADDER ASSEMBLY – AFT COMPONENTS</b>				
28-5-1	D277-9	Clamp . . . . .	X	1
2	B175-3	Hook Tape . . . . .	X	A/R
3	A729-44	Tube . . . . .	X	1
4	G258-5	Clip (Ref)		
5	NAS557-8A	Grommet . . . . .	X	1
6	G028-1	Bladder . . . . .	X	1
7	A521-2	Switch Assembly – Low Fuel (Incl items 13 thru 15) . . . . .	X	1
8	MS29512-05	Packing (o-ring) . . . . .	X	1
9	G250-1	Tray (Ref)		
10	G915-8	Spacer . . . . .	X	1
11	G915-9	Washer . . . . .	X	1
12	AN924-5D	Nut . . . . .	X	1
13	B161-2	Spirap . . . . .	X	A/R
14	MS3367-4-9	Ty-Rap . . . . .	X	2
15	B263-16	Housing . . . . .	X	1
	B263-1	Pin (pin no. 2 and 4) . . . . .	X	2
	B263-3	Pin (pin no. 1 and 3) . . . . .	X	2
16	D277-8	Clamp . . . . .	X	1
17	A729-66	Tube . . . . .	X	1
18	A457-2	Wye . . . . .	X	1
19	A729-39	Tube . . . . .	X	1
20	MS21042L08	Nut . . . . .	X	1
21	NAS1149FN816P	Washer . . . . .	X	1
22	MS21919WDG8	Clamp . . . . .	X	1
23	MS27039C0806	Screw . . . . .	X	1
24	MS29512-06	Packing (o-ring; install using item 25) . . . . .	X	1
25	A257-6	Grease . . . . .	X	A/R
26	A141-17	Washer . . . . .	X	2
27	MS27039C1-06	Screw . . . . .	X	2
28	B254-3	Strainer – Fuel . . . . .	X	1
29	D205-21	Hose (Ref, see Figure 28-9)		
30	A761-2	Valve – Drain (install using item 32 sealant on threads) . . . . .	X	1
31	A729-43	Tube . . . . .	X	1
32	B270-6	Sealant . . . . .	X	A/R

NOTES

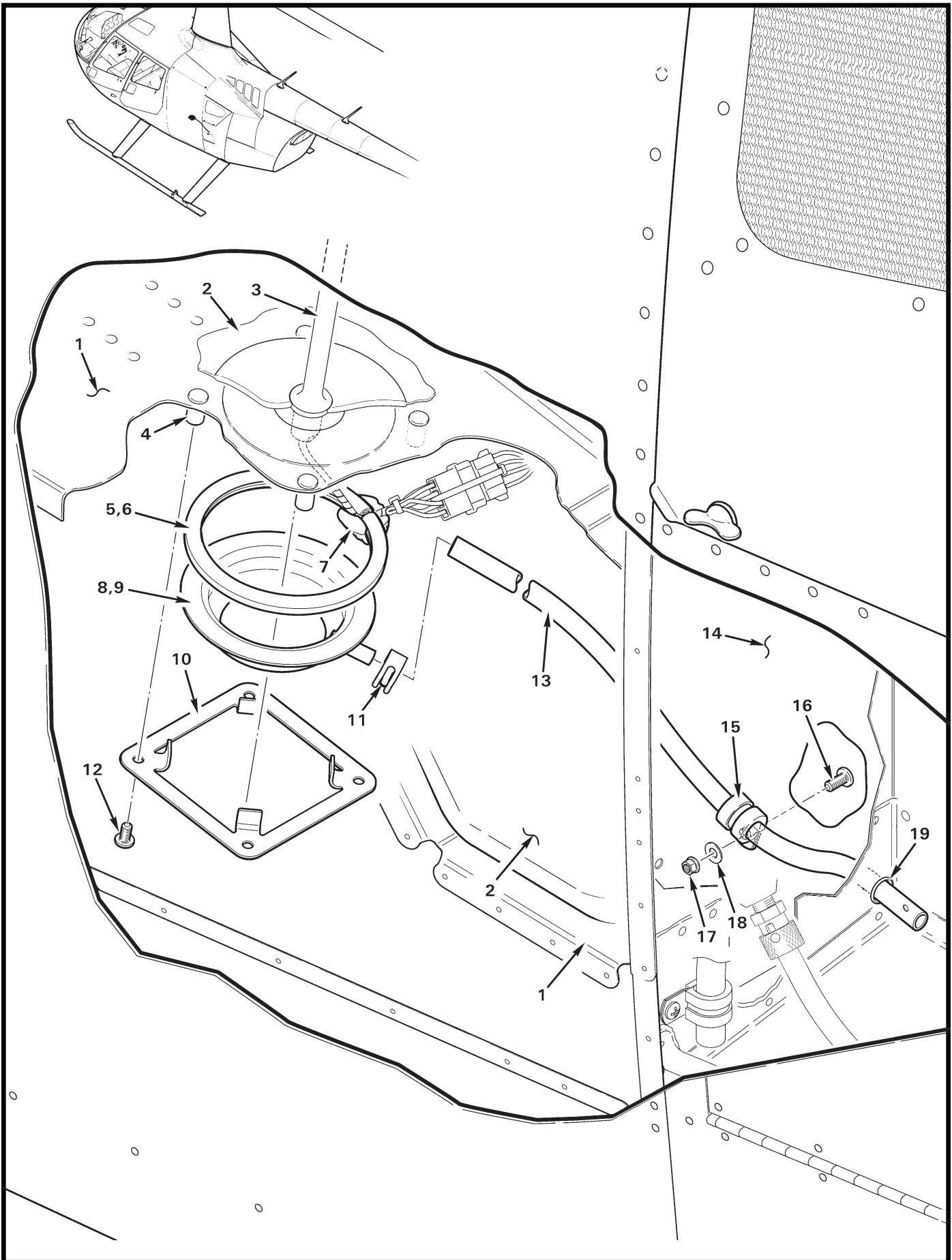




FIGURE AND INDEX NUMBER	PART NUMBER	DESCRIPTION	PARTS AVAIL	QTY PER ASSY
<b>DRAIN ASSEMBLY INSTALLATION</b>				
28-7-1	G250-1	Tray (fuel tank sump, Ref)		
2	G028-1	Bladder – Fuel Tank (Ref)		
3	A521-2	Switch Assembly – Low Fuel (Ref)		
4	B318-1	Stand off (Ref) . . . . .	O	4
5	A226-10	Seal (install using item 6) . . . . .	X	A/R
6	B270-18	Adhesive . . . . .	X	A/R
7	B270-5	Sealant (at G930-1 wires pass-thru) . . . . .	X	A/R
8	G930-1	Drain Assembly (Incl items 5, 6, and 9) . . . . .	X	1
9	G930-2	Housing (Ref)		
10	G930-4	Retainer . . . . .	X	1
11	D277-6	Clamp . . . . .	X	A/R
12	MS27039C0805	Screw . . . . .	X	4
13	A729-55	Tube . . . . .	X	1
14	G251-1	Panel (Ref, baggage compartment)		
15	MS21919WDG6	Clamp . . . . .	X	1
16	MS27039C0806	Screw . . . . .	X	1
17	MS21042L08	Nut . . . . .	X	1
18	NAS1149FN816P	Washer . . . . .	X	1
19	NAS557-6A	Grommet . . . . .	X	1

NOTES

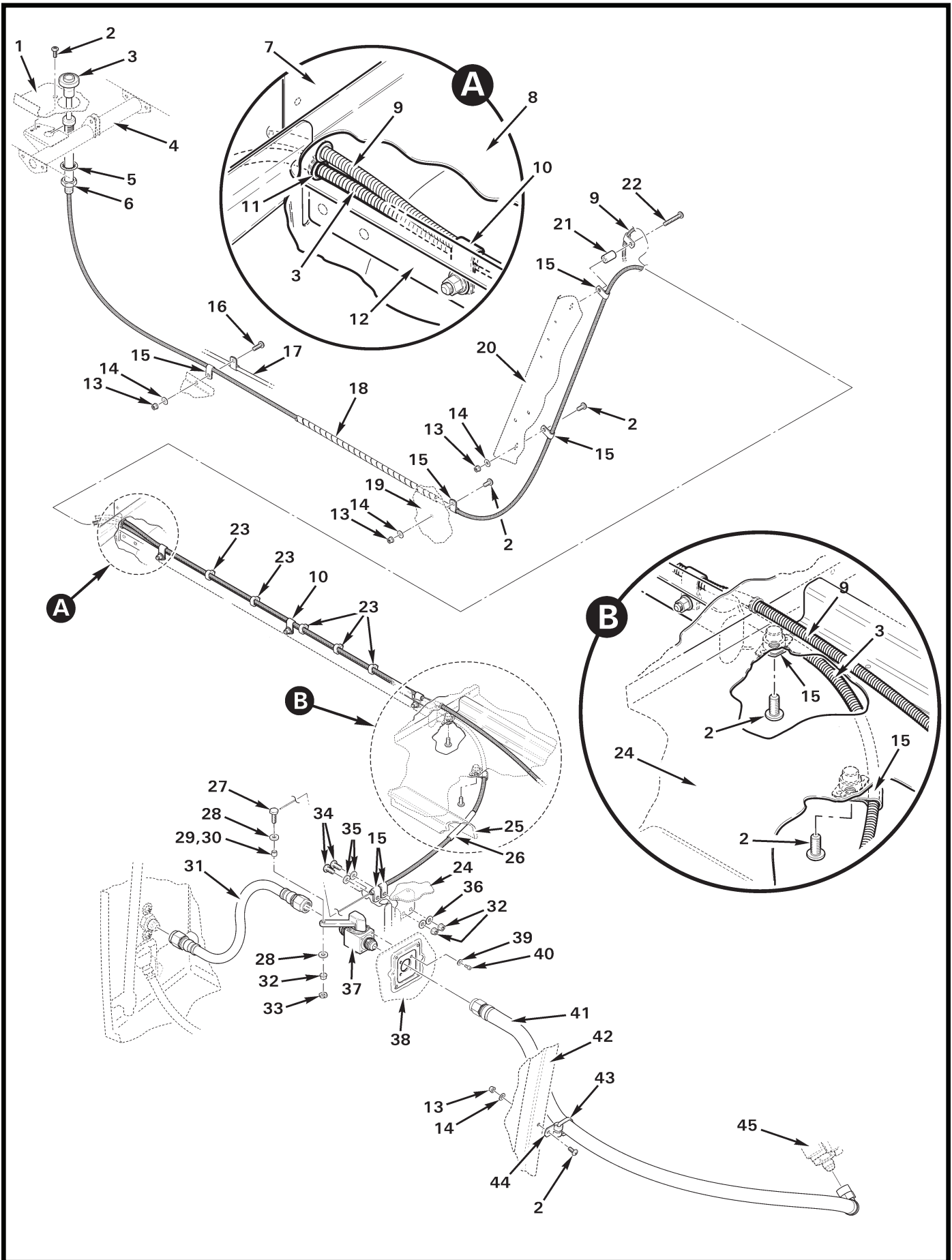


FIGURE AND INDEX NUMBER	PART NUMBER	DESCRIPTION	PARTS AVAIL	QTY PER ASSY
<b>FUEL VALVE AND HOSES INSTALLATION</b>				
28-9-1	F445-1	Cover Assembly (Ref)		
2	MS27039C0806	Screw . . . . .	X	6
3	A522-11	Control - Fuel Shutoff Valve (Incl items 5 and 6) . . . . .	X	1
4	F348-1	Anchor Assembly (Ref)		
5	—	Washer . . . . .	O	1
6	—	Nut . . . . .	O	1
7	F386-2	Cover (Ref)		
8	G252-1	Panel (cargo compartment ceiling, Ref)		
9	C522-11	Control (actuator, Ref)		
10	AN742-3	Clamp (Ref; secures item 9)		
11	NAS557-3A	Grommet . . . . .	X	1
12	G255-3	Stiffener (Ref)		
13	MS21042L08	Nut . . . . .	X	4
14	NAS1149FN816P	Washer . . . . .	X	4
15	AN742-3	Clamp . . . . .	X	8
16	MS27039C0808	Screw . . . . .	X	1
17	A522-14	Control - Cabin Heat (Ref)		
18	B161-4	Spirap . . . . .	X	A/R
19	F293-1	Panel - Keel (forward, LH; Ref)		
20	F351-1	Brace (aft seat back, LH; Ref)		
21	A130-50	Spacer . . . . .	X	1
22	MS27039C0817	Screw . . . . .	X	1
23	MS3367-7-9	Ty-Rap (secures items 3 and 9 together) . . . . .	X	6
24	G239-1	Panel (Ref)		
25	G240-7	Channel (Ref)		
26	B158-6	Heat Shrink . . . . .	X	A/R
27	A462-4	Fitting . . . . .	X	1
28	NAS1149E0363R	Washer . . . . .	X	2
29	A130-48	Spacer (install using item 30) . . . . .	X	1
30	A257-1	Grease . . . . .	X	A/R
31	D205-21	Hose Assembly . . . . .	X	1
32	MS21042L3	Nut . . . . .	X	3
33	B330-7	Palnut . . . . .	X	1
34	MS27039C1-07	Screw . . . . .	X	2
35	NAS1149F0363P	Washer . . . . .	X	2

NOTES

Continues

FIGURE AND INDEX NUMBER	PART NUMBER	DESCRIPTION	PARTS AVAIL	QTY PER ASSY
FUEL VALVE AND HOSES INSTALLATION (Cont'd)				
28-9-36	NAS1149F0332P	Washer . . . . .	X	2
37	F670-1	Valve - Fuel Shutoff . . . . .	X	1
38	F233-1	Firewall (Ref)		
39	NAS1149FN432P	Washer . . . . .	X	4
40	NAS1352-04-4	Screw . . . . .	X	4
41	B283-12	Hose Assembly . . . . .	X	1
42	G923-1	Stiffener (Ref)		
43	MS3367-5-9	Ty-Rap . . . . .	X	1
44	MS21919WDG3	Clamp . . . . .	X	1
45	—	Fuel Inlet (engine; Ref)		

NOTES