

CHAPTER 22

AUTOPILOT

<i>Figure</i>	<i>Title</i>	<i>Page</i>
22-1	(Pitch) Servo Assembly Installation and Components	22.0
22-5	(Roll) Servo Assembly Installation	22.4
22-7	Flight Control Computer Installation	22.6

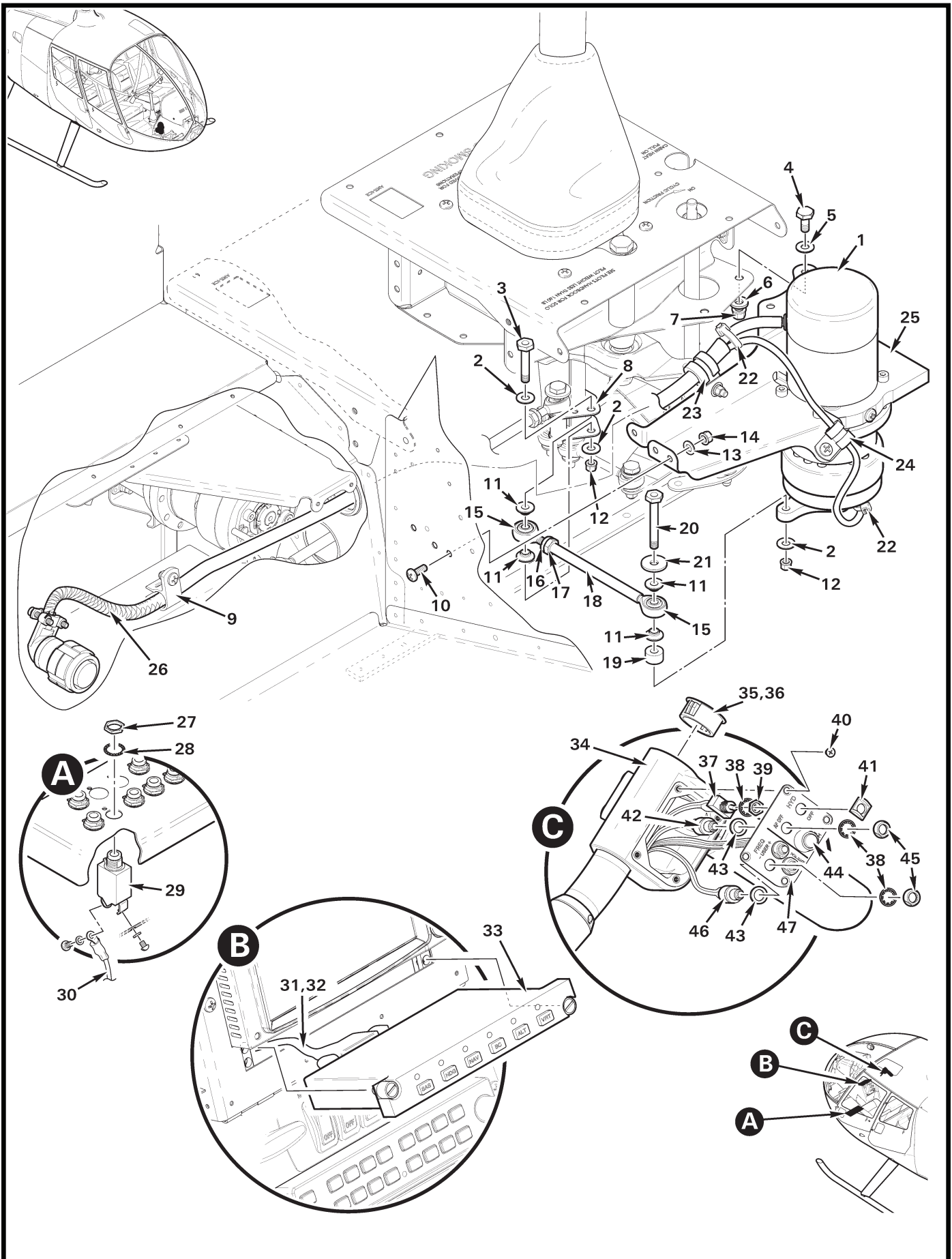


FIGURE AND INDEX NUMBER	PART NUMBER	DESCRIPTION	PARTS AVAIL	QTY PER ASSY
		(PITCH) SERVO ASSEMBLY INSTALLATION AND COMPONENTS		
22-1-1	D354-3	Servo Assembly (Pitch; includes item 22 thru 26)	X	1
2	NAS1149F0332P	Washer	X	2
3	NAS6603-11	Bolt	X	1
4	NAS6603-3	Bolt	X	2
5	NAS1149F0332P	Washer	X	4
6	NAS1149F0363P	Washer	X	2
7	D210-3	Nut	X	2
8	D320-8	Cyclic Stick Assembly	O	1
9	M23190/1-2	Clamp	X	1
10	MS27039C0806	Screw	X	3
11	A341-1	Spacer	X	4
12	D210-3	Nut	X	2
13	NAS1149FN832P	Washer	X	3
14	MS21042L08	Nut	X	3
15	A127-3	Rod End	X	2
16	B330-7	Palnut	X	2
17	AN315-3R	Nut	X	2
18	A336-8	Tube	X	1
19	C130-50	Spacer	X	1
20	NAS6603-18	Bolt	X	1
21	A141-17	Washer	X	1
22	MS3367-4-9	Ty-Rap	X	A/R
23	MS21919WDG6	Clamp	X	1
24	MS21919WDG3	Clamp	X	1
25	D353-4	Brace	O	1
26	B266-8	Sleeving	X	A/R
27	—	Nut	X	1
28	—	Lockwasher	X	1
29	B297-5	Circuit Breaker (5 amp; includes items 27 and 28)	X	1
30	-2103	Wire (Ref)		
31	D323-2	Harness Assembly (Incl item 32)	X	1
32	B269-8	Receptacle	X	1
	B269-22	Backshell	X	1
33	01309-01-01	Control Panel	X	1

NOTES

Continues

FIGURE AND INDEX NUMBER	PART NUMBER	DESCRIPTION	PARTS AVAIL	QTY PER ASSY
(PITCH) SERVO ASSEMBLY INSTALLATION AND COMPONENTS (Cont'd)				
22-1-34	C058-16	Grip Assembly (Incl items 35 thru 37, 40, 42, 44, 46, and 47)	X	1
35	2703	Hole Plug (install using item 36)	X	1
36	B270-15	Adhesive	X	A/R
37	B300-3	Switch Assembly – “HYD OFF” (Incl items 38 and 39)	X	1
38	B227-3	Lockwasher	X	1
39	—	Nut	O	1
40	MS24693-S1	Screw	X	4
41	D443-7	Guard	X	1
42	B227-7	Switch Assembly – “AP OFF” (Incl items 38, 43, and 45)	X	1
43	94773A770	Washer	X	1
44	B227-8	Switch – Trim	X	1
45	B227-4	Dress Nut	X	1
46	B227-2	Switch Assembly (Incl items 38, 43, and 45)	X	3
47	C214-27	Plate	X	1

NOTES

Intentionally Blank

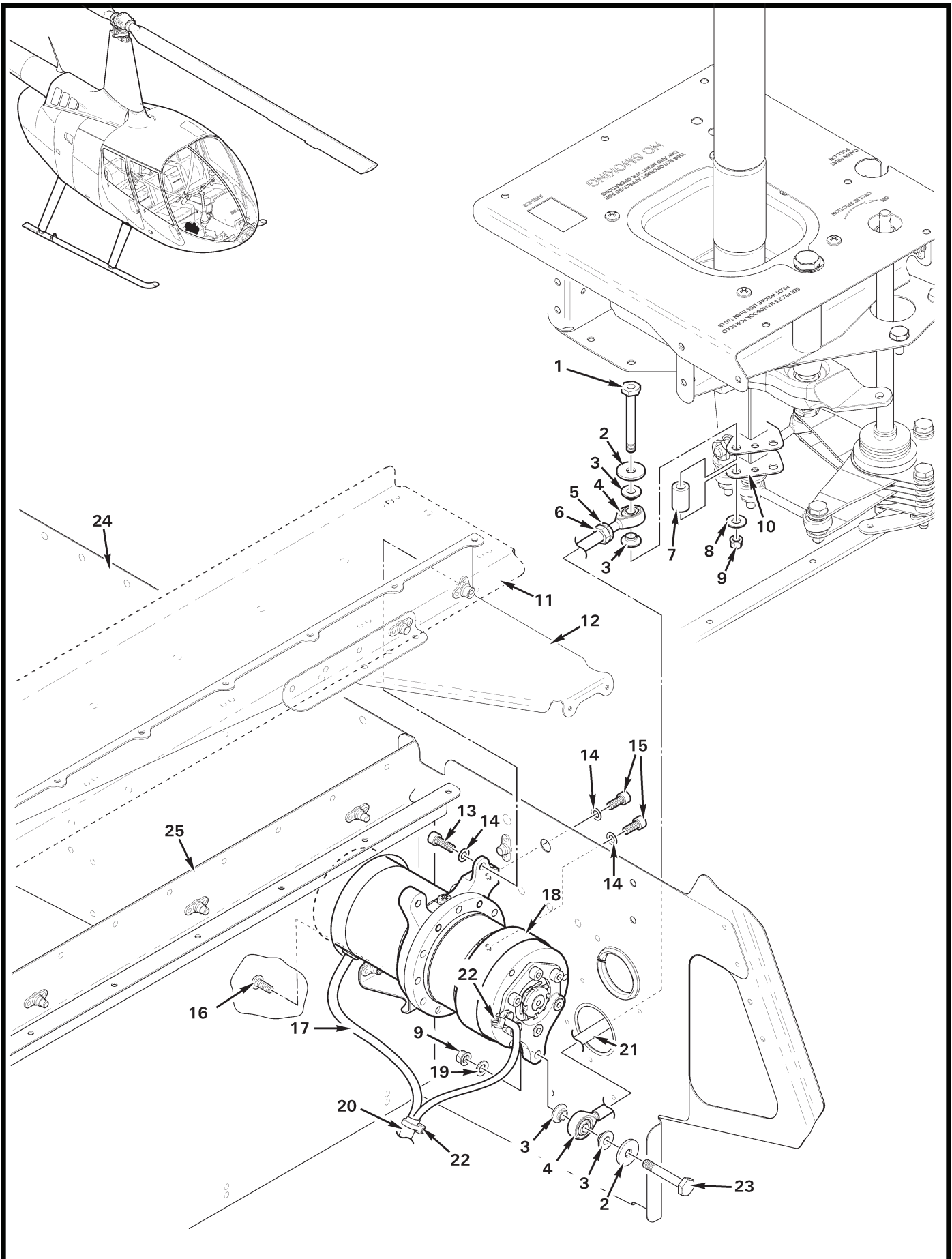


FIGURE AND INDEX NUMBER	PART NUMBER	DESCRIPTION	PARTS AVAIL	QTY PER ASSY
(ROLL) SERVO ASSEMBLY INSTALLATION				
22-5-1	NAS6603-21	Bolt	X	1
2	A141-17	Washer	X	2
3	A341-1	Spacer	X	4
4	A127-3	Rod End	X	2
5	B330-7	Palnut	X	2
6	AN315-3R	Nut	X	2
7	C130-51	Spacer	X	1
8	NAS1149F0332P	Washer	X	1
9	D210-3	Nut	X	3
10	D320-1	Stick Assembly – Cyclic (Ref)		
11	F391-1	Cover Assembly	X	1
12	D353-5	Brace Assembly	X	1
13	NAS1352-08-8P	Screw	X	2
14	NAS620-8L	Washer	X	4
15	NAS1352-08-6P	Screw	X	2
16	MS27039C0806	Screw	X	1
17	B274-610	Braid	X	A/R
	B158-6	Heat Shrink	X	A/R
18	D354-4	Servo Assembly (Roll; includes items 17, 20 and 22)	X	1
19	NAS620-10L	Washer	X	1
20	B266-8	Sleeving	X	A/R
21	A336-8	Tube	X	1
22	MS3367-4-9	Ty-Rap	X	A/R
23	NAS6603-14	Bolt	X	1
24	F293-2	Keel Panel – Forward (Ref, LH)		
25	G702-7	Cover Assembly (Ref)		

NOTES

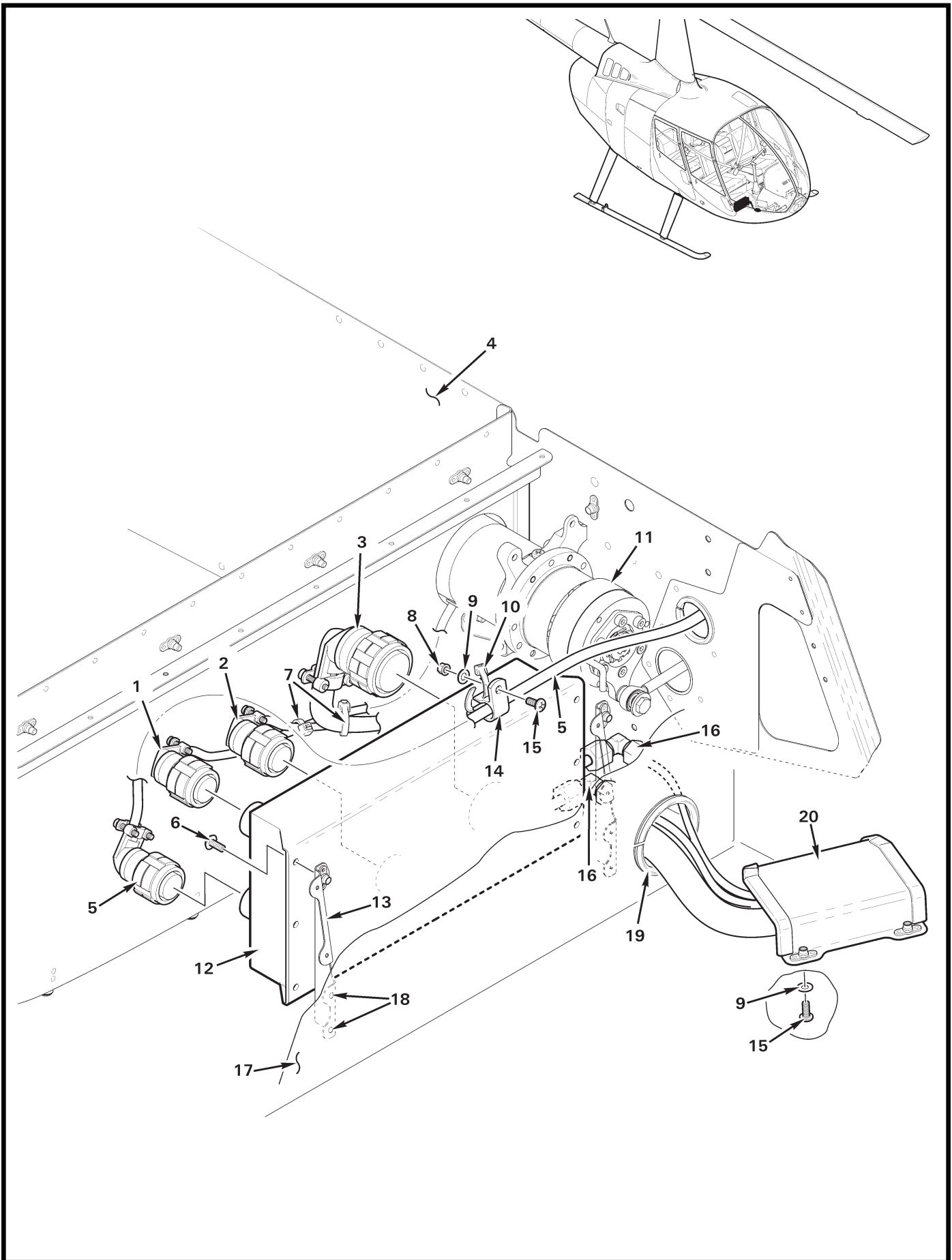


FIGURE AND INDEX NUMBER	PART NUMBER	DESCRIPTION	PARTS AVAIL	QTY PER ASSY
FLIGHT CONTROL COMPUTER INSTALLATION				
22-7-1	D354-4	Servo Wire Harness Assembly (Ref)		
2	D323-2	Harness Assembly (Ref, Autopilot)		
	D323-10	Harness Assembly (Ref; EFIS, G500H)		
3	D323-12	Harness Assembly (Ref; J4, G500H)		
4	F293-2	Keel Panel – FWD (Ref, LH)		
5	D354-3	Servo Wire Harness Assembly (Ref)		
6	MS27039C0807	Screw	X	4
7	MS3367-5-0	Ty-Rap	X	A/R
8	MS21042L08	Nut	X	1
9	NAS1149FN832P	Washer	X	1
10	MS3367-5-9	Ty-Rap	X	1
11	D354-4	Servo Assembly (Ref)		
12	01311-03-11	Flight Control Computer	X	1
13	D358-1	Support Assembly	X	2
	D358-5	Support Assembly (police and E.N.G. ships)	X	2
14	M23190/1-2	Clamp	X	1
15	MS27039C0806	Screw	X	1
16	50-4-N-0	Elbow	X	2
17	F352-2	Panel (Ref)		
18	MS20470AD3	Rivet	X	8
19	NAS557-28A	Grommet	X	1
20	D555-4	Shield Assembly	X	1

NOTES

Intentionally Blank