

CHAPTER 18  
TRACK AND BALANCE

<i>Figure</i>	<i>Title</i>	<i>Page</i>
18-1	TEC ACES Balancing System . . . . .	18.0
18-3	TEC ACES Balancing System . . . . .	18.2

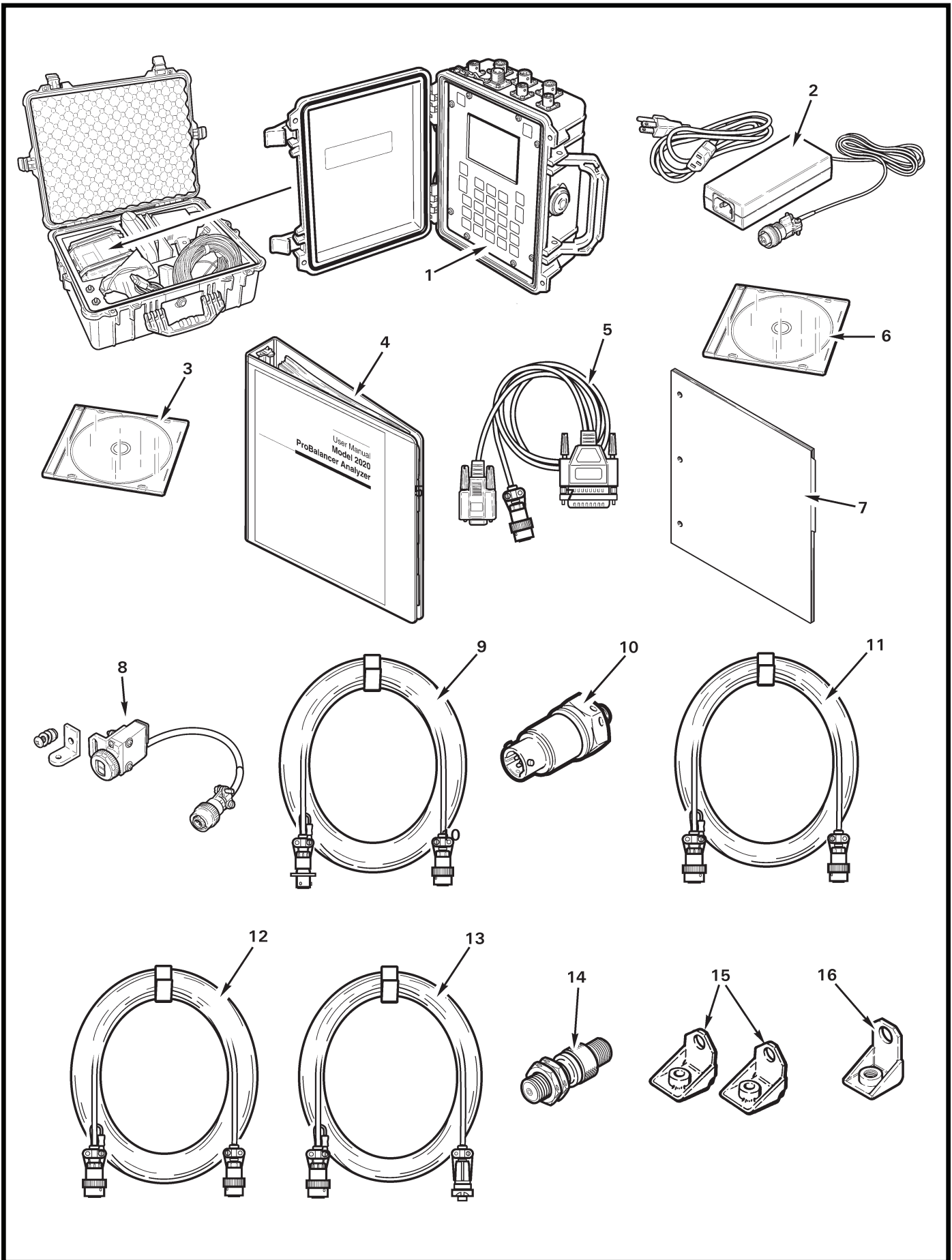


FIGURE AND INDEX NUMBER	PART NUMBER	DESCRIPTION	PARTS AVAIL	QTY PER ASSY
<b>TEC ACES BALANCING SYSTEM</b>				
18-1-1	10-100-2020HR	Tec Aces Analyzer and Turbo Probalancing System (Incl items 1 thru 16) . . . . .	X	1
	Z2020-LGCASE KIT	Carry Case - "Aces 2020" . . . . .	X	1
2	Z10-320-4043-110V	Charger - NiMH Battery (110V) . . . . .	X	1
3	75-900-0193D	DVD - "Aces 2020" . . . . .	X	1
4	75-900-2020	Manual - "Aces 2020" User's Manual . . . . .	X	1
5	10-320-0157	Cable - "Aces 2020" (6 ft) . . . . .	X	1
6	10-700-0102	Software - "Avtrend Bronze" . . . . .	X	1
7	75-900-2026	Manual - "Avtrend Bronze" User's Manual . . . . .	X	1
8	10-100-1773	Tachometer - Optical Photocell . . . . .	X	1
9	10-320-0126	Cable - Tachometer (50 ft) . . . . .	X	1
10	69-100-0075	Sensor - Vibration Transducer . . . . .	X	2
11	10-320-0162	Cable - Sensor (25 ft) . . . . .	X	1
12	10-320-0163	Cable - Sensor (50 ft) . . . . .	X	1
13	10-320-0052	Cable - Magnetic pickup (25 ft) . . . . .	X	1
14	75-900-0187	Sensor - Magnetic pickup . . . . .	X	1
15	22-420-0035	Mount - 1/4 in. hole . . . . .	X	2
16	22-430-0036	Mount - 5/16 in. hole . . . . .	X	1
NOTES				

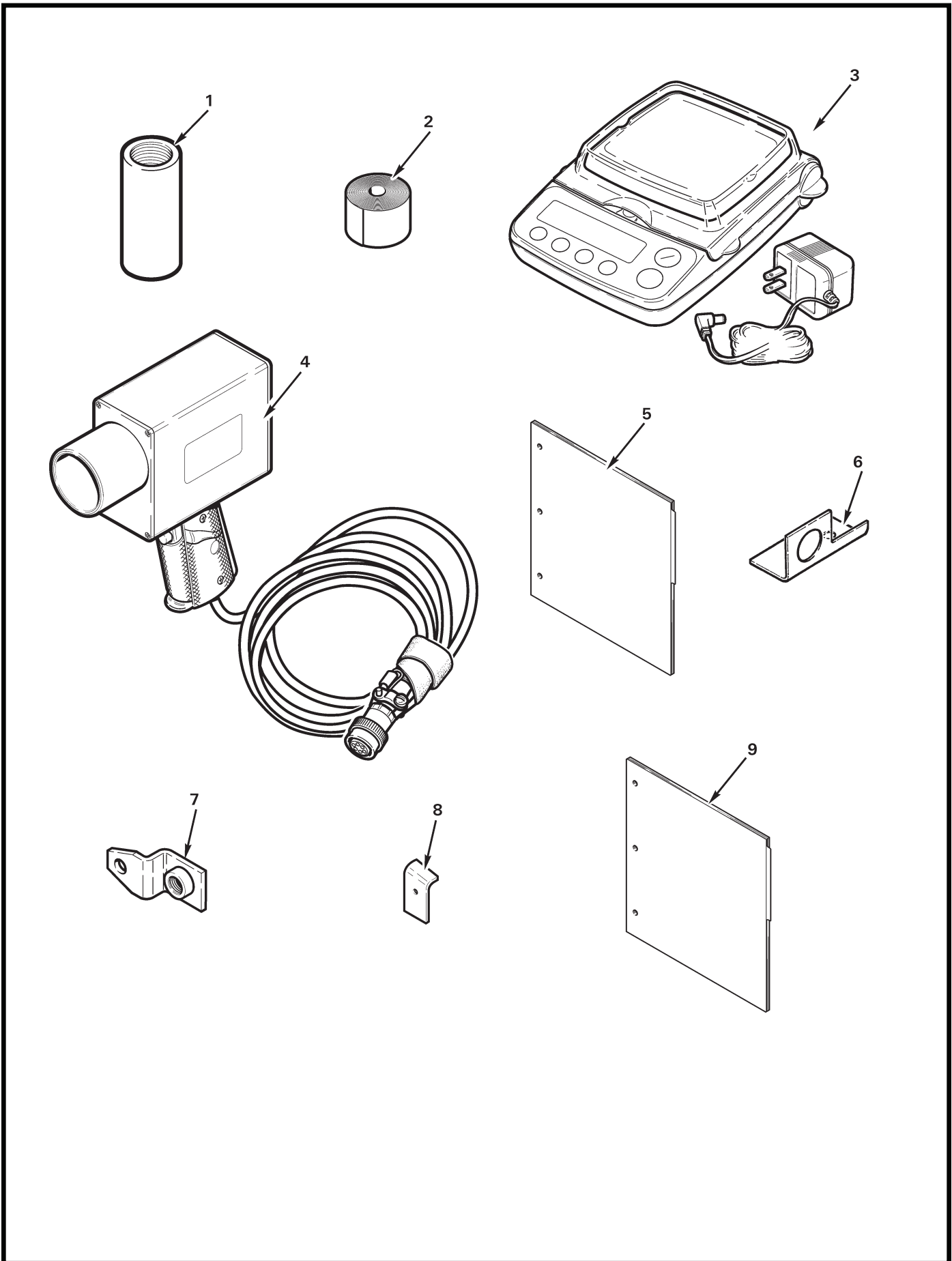


FIGURE AND INDEX NUMBER	PART NUMBER	DESCRIPTION	PARTS AVAIL	QTY PER ASSY
<b>TEC ACES BALANCING SYSTEM</b>				
18-3-1	22-430-0096	Sun Shield - Tachometer . . . . .	X	1
2	10-400-0176	Reflective Tape (10 ft roll) . . . . .	X	1
3	75-900-0507	Scale . . . . .	X	1
4	75-900-0542	Tracker - Optical . . . . .	X	1
5	—	Manual - Optical Tracker (Supplement) . . . . .	X	1
6	22-430-0066	Mount - Multipurpose . . . . .	X	1
7	22-430-0037	Mount - Sensor . . . . .	X	1
8	22-430-0082	Interrupter . . . . .	X	1
9	75-900-2022	Manual - EPS Supplement . . . . .	X	1

NOTES

Intentionally Blank