

**R66 SERVICE LETTER SL-04**

**DATE:** 29 May 2012

**TO:** R66 owners, operators, and maintenance personnel

**SUBJECT:** Center Rear Seat Decal

**ROTORCRAFT AFFECTED:** R66 helicopters S/N 0004 thru 0110 excluding S/N 0062, 0075, 0081, 0086, 0089, 0090, 0094, 0097, 0098, 0099, 0101, 0102, 0106, 0107, and 0108.

**BACKGROUND:** A decal was not installed on some center rear seats.

---

**COMPLIANCE PROCEDURE:**

During next 100-hour inspection, perform the following:

1. Remove F931-1 seat assembly per R66 Maintenance Manual (MM) § 25-21.
2. Install F654-19 decal on bottom of seat assembly per Figure 1.
3. Install seat assembly per MM § 25-21.

**Approximate Cost:**

Parts: No charge for F654-19 decal (included with R66 SL-04 mailing). \$6.50 for each additional decal.

Procure parts from any R66 Dealer or Service Center, or order directly from assigned [RHC Customer Service Agent](#) via email, fax, or phone.

Labor: 0.2 man-hour.

(OVER)

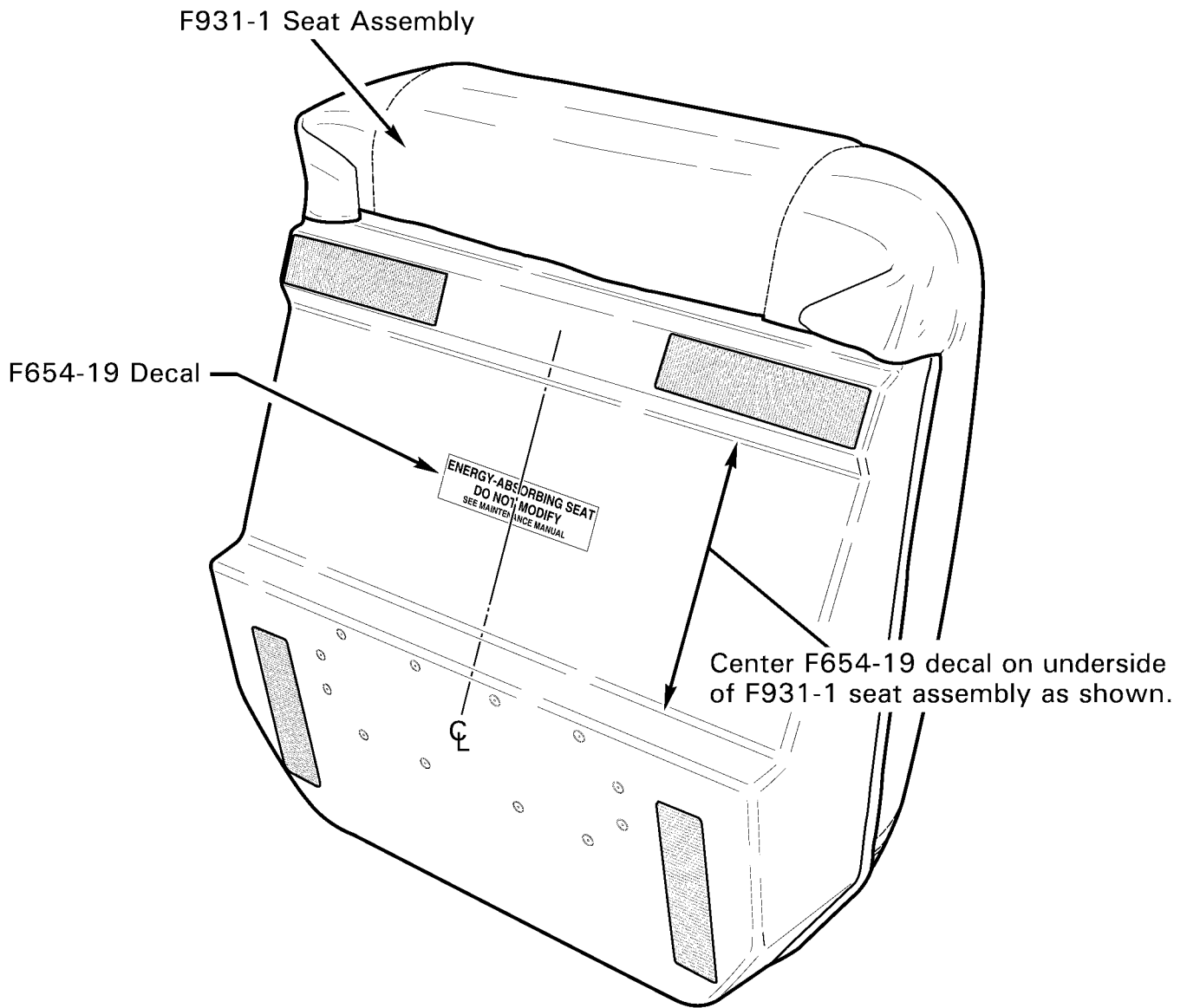


FIGURE 1