

R22 SERVICE LETTER SL-66

DATE: 8 December 2014

TO: R22 Owners, Operators, and Maintenance Personnel

SUBJECT: Full Throttle Caution Light Kit

BACKGROUND: A field installation kit is available for a full throttle caution light that illuminates when the engine is approaching full throttle. At full throttle the governor cannot increase throttle to maintain rotor RPM. The full throttle caution light alerts the pilot that lowering the collective may be required to avoid low-rotor RPM.

COMPLIANCE PROCEDURE:

Refer to Figure 1. Remove A606-1 cover (under left seat).

- If throttle bellcrank assembly includes A607-2 cam, order one KI-218-1A kit from [RHC Customer Service](#) and install per kit instructions.
- If throttle bellcrank assembly does not include A607-2 cam, order one KI-218-1B kit from [RHC Customer Service](#) and install per kit instructions.

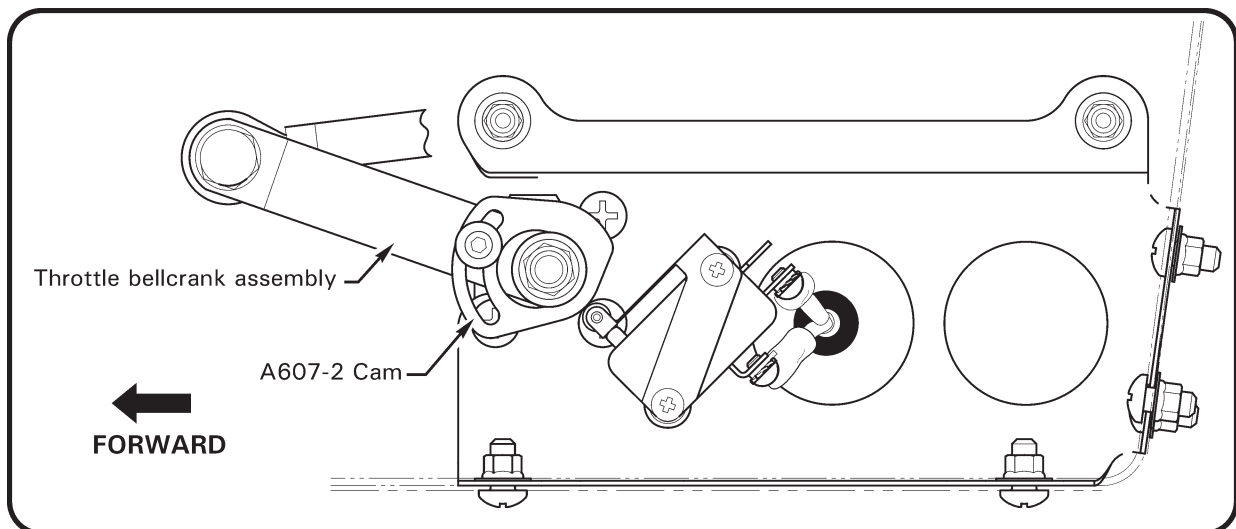


FIGURE 1

Approximate Cost:

Parts: \$190 for KI-218-1A kit.
\$540 for KI-218-1B kit.