

KI-230 Fuel Sample Tube Installation Kit Instructions

For all helicopter models except R22-series helicopters with no optional auxiliary fuel tank installed.

NOTE

Visit www.robinsonheli.com to verify kit instructions are current revision. Review instructions before installation; contact [RHC Technical Support](#) with questions. Verify kit contents match list; contact [RHC Customer Service](#) if parts are missing or damaged.

ITEM NUMBER	PART NUMBER	DESCRIPTION	QTY PER KI-230
KIT CONTENTS			
1	KI-230 Instr.	Kit Instructions	1
2	MT106-1	Holder Assembly	1
3	MT106-3	Tube (Sample)	1

Consumables

- Acetone

Kit Instructions

NOTE

Refer to Figure 1 for R22-series helicopters, Figure 2 for R44-series helicopters, and Figure 3 for R66 helicopters.

1. Open access door(s). Use a clean cloth dampened with acetone to clean area on aux fuel tank assembly (R22 & R44) or fuel bladder support assembly (R66) aft bulkhead where MT106-1 holder assembly will be installed.
2. Lay out dimensions on bulkhead where holder assembly will be installed per the appropriate Figure.
3. Peel off tape liners and firmly press holder assembly to bulkhead. Verify security.
4. Insert MT106-3 tube in holder. Secure access door(s).

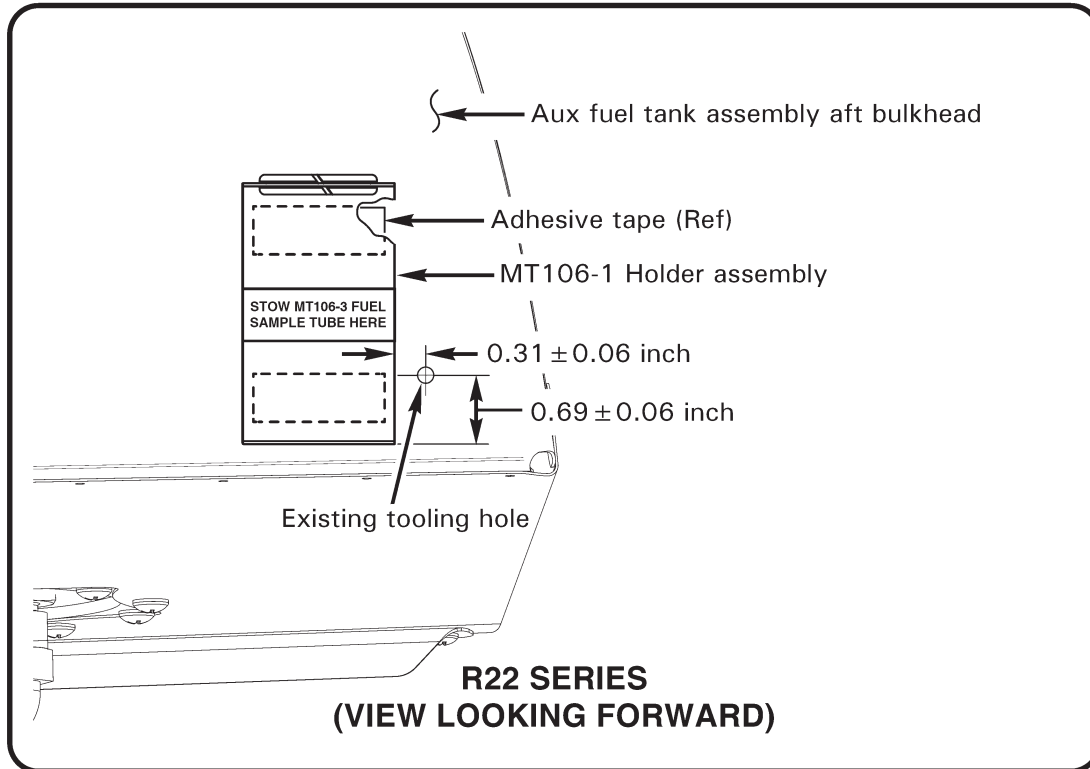


FIGURE 1

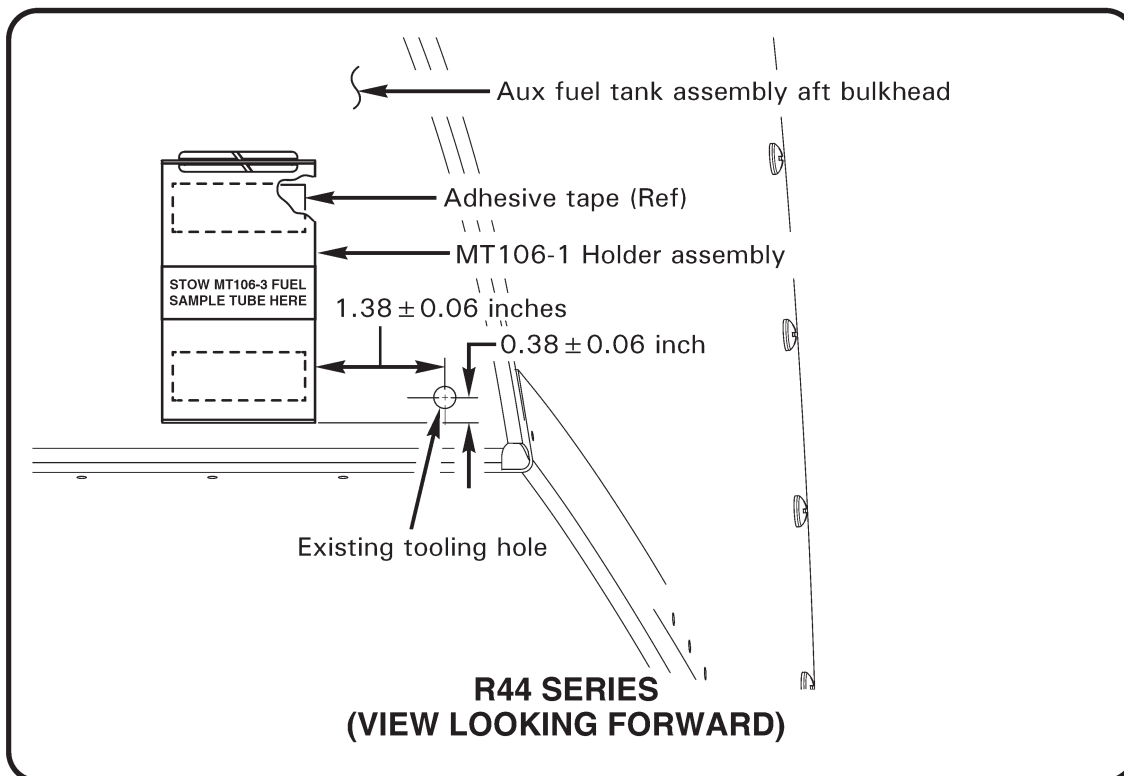


FIGURE 2

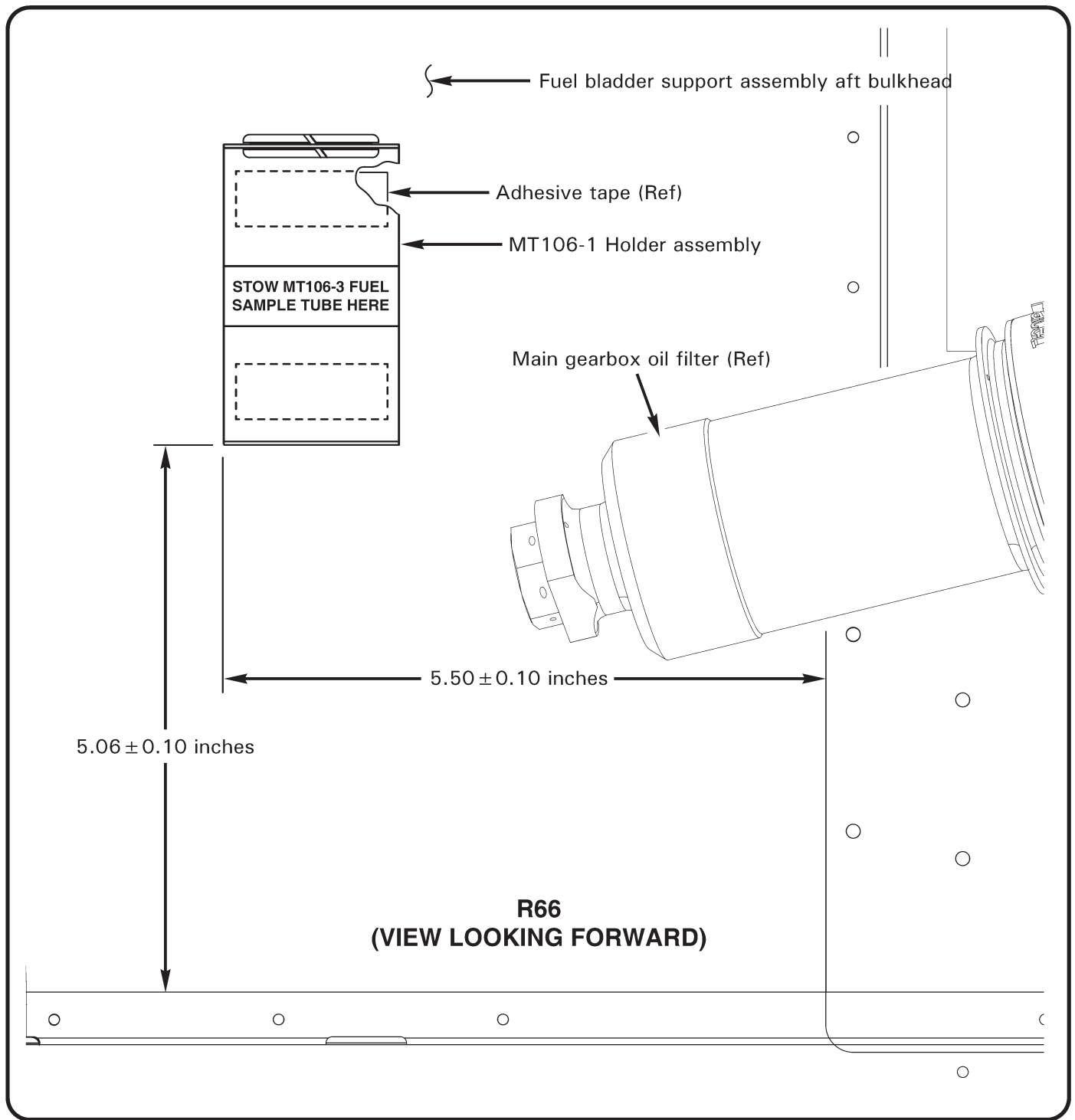


FIGURE 3